



Polydome-425 Large Round Ceiling Light

Description

Body injection molded thermoplastic. Injection molded opal polycarbonate diffuser. Ideal for coastal areas.

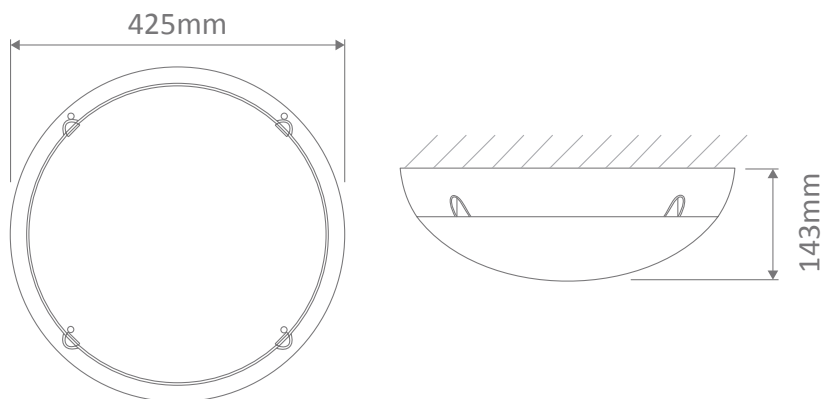


Specification Features

Material: Polycarbonate
 IP rating (IP): 66
 IK Rating (IK): IK10
 Lamp Base: 2 x E27
 Application: Ceiling

Order Code: 18649
 Product Code: VL-140100
 Colour: White
 Order Code: 18651
 Product Code: VL-140101
 Colour: Black
 Order Code: 18653
 Product Code: VL-140102
 Colour: Silver

Diagrams / Additional





Polydome-340 Medium Round Ceiling Light

Description

Body injection molded thermoplastic. Injection molded opal polycarbonate diffuser. Ideal for coastal areas.

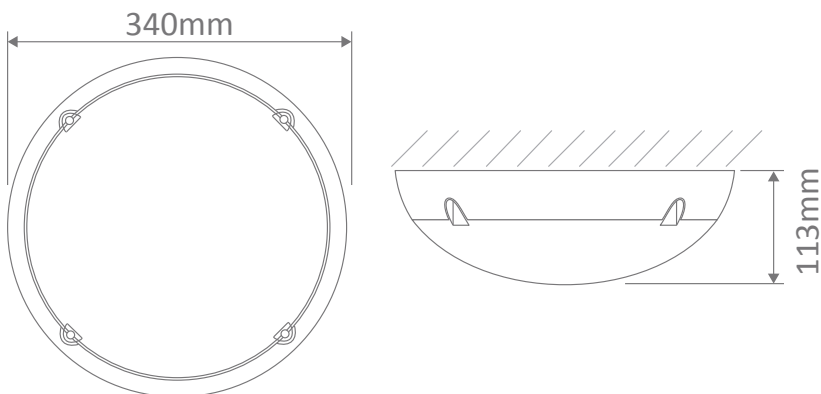


Specification Features

Material: Polycarbonate
 IP rating (IP): 66
 IK Rating (IK): IK10
 Lamp Base: E27
 Application: Ceiling

Order Code: 18637
 Product Code: VL-134000
 Colour: White
 Order Code: 18639
 Product Code: VL-134001
 Colour: Black
 Order Code: 18641
 Product Code: VL-134002
 Colour: Silver

Diagrams / Additional





Polydome-250 Small Round Ceiling Light

Description

Body injection molded thermoplastic. Injection molded opal polycarbonate diffuser. Ideal for coastal areas.



Specification Features

Material: Polycarbonate
 IP rating (IP): 66
 IK Rating (IK): IK10
 Lamp Base: E27
 Application: Ceiling

Order Code: 18643
 Product Code: VL-137000
 Colour: White

Order Code: 18645
 Product Code: VL-137001
 Colour: Black

Order Code: 18647
 Product Code: VL-137002
 Colour: Silver

Diagrams / Additional

