

Last modification

2022-11-20

POD 110G2-850D
9329501056615



Overview

Family name	Pod
Categories	Downlights
Mounting	Recess
Usage	Indoor Lighting,Trade Selection

Color / Material

Fixture Color	White
Diffuser Color	Frost
Diffuser Material	Polycarbonate
Cable Color	Black
Cable Material	PVC

Size

Fixture Diameter (cm)	11.0
Fixture Height (cm)	3.5
Cut Out	9

Specification

Voltage Input	240V
Wattage (max)	10
Globe Type	LED integrated SMD
Globe / Light Source qty	1
Globe / Light Source included	Yes
Lumens	880
Color Temperature	Cool White
Color Kelvin	5000k
Color Rendering	>83
Dimmable	Yes
Power Factor	>0.90
SDCM	<6
UGR	<19
Surge Protection	Yes

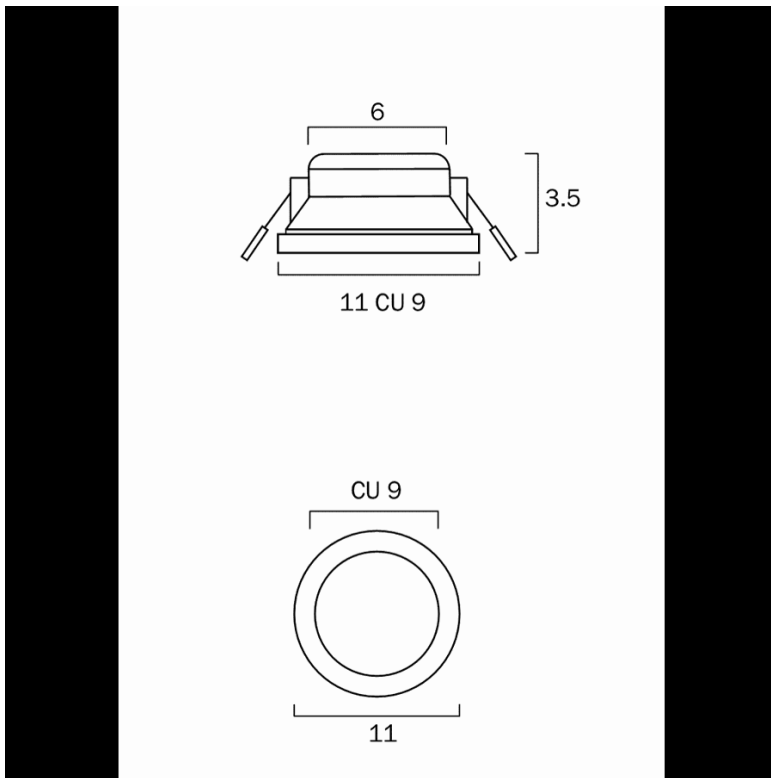
All representations within this document are subject to copyright. ELECTRICAL INSTALLATIONS MUST BE PERFORMED BY A QUALIFIED ELECTRICAL CONTRACTOR AND INSTALLED IN ACCORDANCE WITH AS/NZS 3000.
NOTE : All images , descriptions and dimensions are indicative. Please check latest version of item detail on Telbix website prior to ordering or installation.

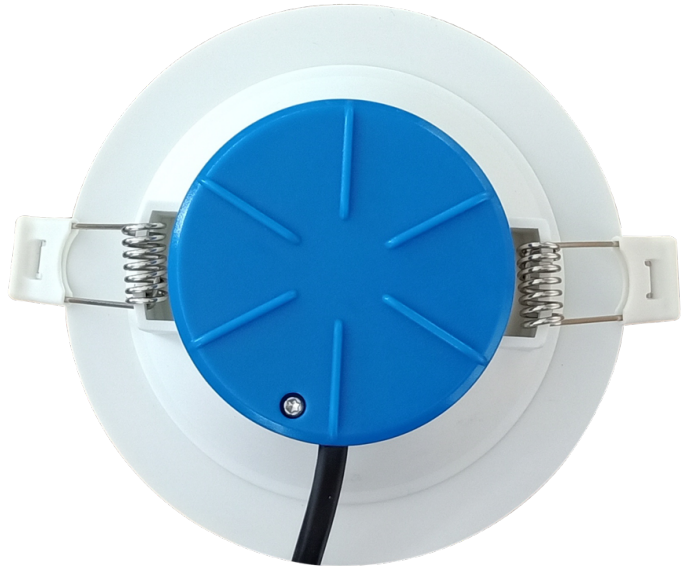
Beam Angle (degree)	100
Current Output	230
Insulation class	IC-4
IP rating	IP44
Lead and Plug	Yes
Approvals	RCM
Box Contents	Instruction
Care Instructions	Do not use strong liquid cleaners,Wipe clean with a dry cloth
Replacement Warranty	*3 Years

Barcode

GTIN 9329501056615

Image -dimensions





Last modification

2022-11-20

POD 110G2-830D
9329501056608



Overview

Family name	Pod
Categories	Downlights
Mounting	Recess
Usage	Indoor Lighting,Trade Selection

Color / Material

Fixture Color	White
Diffuser Color	Frost
Diffuser Material	Polycarbonate
Cable Color	Black
Cable Material	PVC

Size

Fixture Diameter (cm)	11.0
Fixture Height (cm)	3.5
Cut Out	9

Specification

Voltage Input	240V
Wattage (max)	10
Globe Type	LED integrated SMD
Globe / Light Source qty	1
Globe / Light Source included	Yes
Lumens	850
Color Temperature	Warm White
Color Kelvin	3000k
Color Rendering	>83
Dimmable	Yes
Power Factor	>0.90
SDCM	<6
UGR	<19
Surge Protection	Yes

All representations within this document are subject to copyright. ELECTRICAL INSTALLATIONS MUST BE PERFORMED BY A QUALIFIED ELECTRICAL CONTRACTOR AND INSTALLED IN ACCORDANCE WITH AS/NZS 3000.
NOTE : All images , descriptions and dimensions are indicative. Please check latest version of item detail on Telbix website prior to ordering or installation.

Beam Angle (degree)	100
Current Output	230
Insulation class	IC-4
IP rating	IP44
Lead and Plug	Yes
Approvals	RCM
Box Contents	Instruction
Care Instructions	Do not use strong liquid cleaners,Wipe clean with a dry cloth
Replacement Warranty	*3 Years

Barcode

GTIN 9329501056608

Image -dimensions

