

# EV-PEARL-PRO-IP65-EM

Pearl Professional Circular IP65, 3000-6500K, 450 mm - SER II

## FEATURES

- Vandal-proof IK08 rating
- IP65 weatherproof rating
- Power monitoring (DT51)
- Tuneable white (DT8-Tc) controlled by DALI
- Flicker-free dimming controlled by DALI
- Long life electronics
- 10 Years Design Life - 100,000 hours at max. ambient
- DALI (IEC62386)
- Emergency models fully compliant (AS/NZS 2293.3)
- Soft-start charger to reduce building load
- High Quality Lithium battery (LiFePO4) and smart charger
- Self-test (AS2293/IEC62034)



MECHANICAL	
Body Material	Polycarbonate
Diffuser Material	Polycarbonate
Fitting Colour	White
IK Rating	IK08
Installation Type	Surface mount
IP Rating	IP65

ELECTRICAL	
Electrical Rating (Class)	1
Input Frequency (Hz)	50
Input voltage	230Vac
In Australia the Input voltage is defined as 230Vac -6%/+10%. This effectively means that the voltage range of these products are 216Vac - 253Vac or 240V +6%	
Maximum Wattage (W)	27
Standby Power (W)	0.3
Standby power for maintained emergency devices is measured when the light is on and the charger is in standby. Typically charging occurs for the first 16 hours after the device is powered or after a discharge. For non-maintained emergency devices or DALI controlled devices this is measured when the light is off and charger is in standby mode.	
Switch Type	Inbuilt Mains Rated DALI Switch
Working Temp Range (C)	0 to 40

LAMP	
Macadam Steps (SDCM)	3-step MacAdam Ellipse
CCT Configuration	TUNEABLE WHITE
CRI	>84
Lamp/LED Current (mA)	0.65
Lamp/LED voltage (V)	33

LED LIFETIME		
TM-21 Test Hours (hrs)	20000	
Ambient Temp (°C)	25	40
L70B10	>120000	>120000
L70B50	>120000	>120000

COLOUR TEMPERATURE	
CCT (K)	3300 to 6100
CCT Colour	Tunable White
LED Wattage (W)	21



## DRIVER

Dimmable	Yes
Driver Included	Yes
Integrated Driver	No
Driver Type	DALI DT1 and DT8 Dimmable
Wiring Type	Re-wireable terminal block (6 pin)

## EMERGENCY (EM SUFFIX)

Replacement Battery Code	01302
Emergency Classification	C0:D32
Emergency Duration (mins)	120
Emergency Mode	Maintained
Emergency Output Power (mW)	2700

## COMPLIANCE

Design Life (hr)	100000
------------------	--------

## WARRANTY

Commercial Use Warranty	5 RTB (Total 5 Years)
-------------------------	-----------------------

## DIMENSIONS

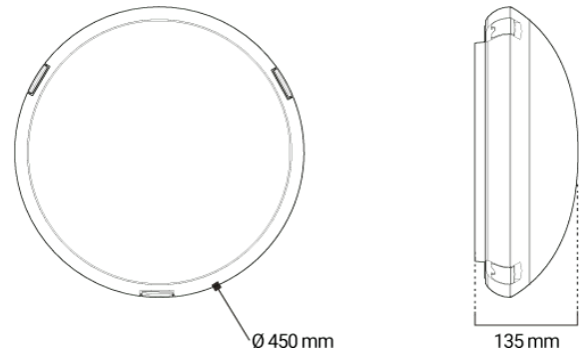
Product Diameter(mm)	450
Product Height (mm)	135

## ORDERING INFORMATION

Order code	11963
Description	EV-PEARL-PRO-IP65-EM~Pearl Emergency Bunker - 25W IP65 Tuneable White DT8
Item Code	EV-PEARL-PRO-IP65-EM

## LINE DRAWINGS

EV/PEARL/PRO/IP65



# EV-PEARL-PRO-IP65-EM-S

Pearl Professional Circular IP65, 3000-6500K, 450 mm - SER II

## FEATURES

- Vandal-proof IK08 rating
- IP65 weatherproof rating
- Power monitoring (DT51)
- Tuneable white (DT8-Tc) controlled by DALI
- Flicker-free dimming controlled by DALI
- Long life electronics
- 10 Years Design Life - 100,000 hours at max. ambient
- DALI (IEC62386)
- Emergency models fully compliant (AS/NZS 2293.3)
- Soft-start charger to reduce building load
- High Quality Lithium battery (LiFePO4) and smart charger
- Microwave sensor suitable for DALI-2 supporting IEC 62386-303
- Corridor mode function in standalone operation
- Self-test (AS2293/IEC62034)



MECHANICAL	
Body Material	Polycarbonate
Diffuser Material	Polycarbonate
Fitting Colour	White
IK Rating	IK08
Installation Type	Surface mount
IP Rating	IP65

ELECTRICAL	
Electrical Rating (Class)	1
Input Frequency (Hz)	50
Input voltage	230Vac
In Australia the Input voltage is defined as 230Vac -6%/+10%. This effectively means that the voltage range of these products are 216Vac - 253Vac or 240V +6%	
Maximum Wattage (W)	27
Standby Power (W)	0.3
Standby power for maintained emergency devices is measured when the light is on and the charger is in standby. Typically charging occurs for the first 16 hours after the device is powered or after a discharge. For non-maintained emergency devices or DALI controlled devices this is measured when the light is off and charger is in standby mode.	
Switch Type	Inbuilt Mains Rated DALI Switch
Working Temp Range (C)	0 to 40

LAMP	
Macadam Steps (SDCM)	3-step MacAdam Ellipse
CCT Configuration	TUNEABLE WHITE
CRI	>84
Lamp/LED Current (mA)	0.65
Lamp/LED voltage (V)	33

LED LIFETIME		
TM-21 Test Hours (hrs)	20000	
Ambient Temp (°C)	25	40
L70B10	>120000	>120000
L70B50	>120000	>120000

COLOUR TEMPERATURE	
CCT (K)	3300 to 6100
CCT Colour	Tunable White
LED Wattage (W)	21

### DRIVER

Dimmable	Yes
Driver Included	Yes
Integrated Driver	No
Driver Type	DALI DT1 and DT8 Dimmable
Wiring Type	Re-wireable terminal block (6 pin)

### EMERGENCY (EM SUFFIX)

Replacement Battery Code	01302
Emergency Classification	C0:D32
Emergency Duration (mins)	120
Emergency Mode	Maintained
Emergency Output Power (mW)	2700

### COMPLIANCE

Design Life (hr)	100000
------------------	--------

### WARRANTY

Commercial Use Warranty	5 RTB (Total 5 Years)
-------------------------	-----------------------

### DIMENSIONS

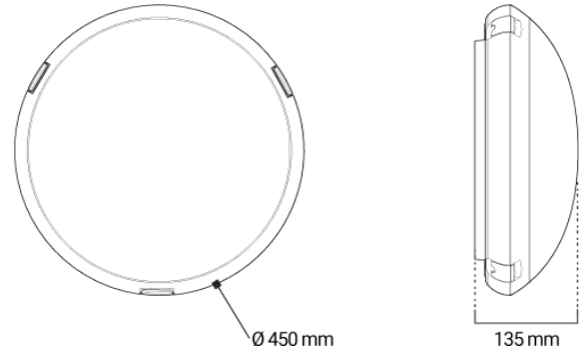
Product Diameter(mm)	450
Product Height (mm)	135

### ORDERING INFORMATION

Order code	11964
Description	EV-PEARL-PRO-IP65-EM-S~Pearl Emergency Bunker - 25W IP65 Tuneable White DT8 With Sensor
Item Code	EV-PEARL-PRO-IP65-EM-S

### LINE DRAWINGS

EV/PEARL/PRO/IP65



# EV-PEARL-PRO-IP65-S

Pearl Professional Circular IP65, 3000-6500K, 450 mm - SER II

## FEATURES

- Vandal-proof IK08 rating
- IP65 weatherproof rating
- Power monitoring (DT51)
- Tuneable white (DT8-Tc) controlled by DALI
- Flicker-free dimming controlled by DALI
- Long life electronics
- 10 Years Design Life - 100,000 hours at max. ambient
- DALI (IEC62386)
- Microwave sensor suitable for DALI-2 supporting IEC 62386-303
- Corridor mode function in standalone operation



MECHANICAL	
Body Material	Polycarbonate
Diffuser Material	Polycarbonate
Fitting Colour	White
IK Rating	IK08
Installation Type	Surface mount
IP Rating	IP65

ELECTRICAL	
Electrical Rating (Class)	1
Input Frequency (Hz)	50
Input voltage	230Vac
In Australia the Input voltage is defined as 230Vac -6%/+10%. This effectively means that the voltage range of these products are 216Vac - 253Vac or 240V +6%	
Maximum Wattage (W)	25
Standby Power (W)	0.3
Standby power for maintained emergency devices is measured when the light is on and the charger is in standby. Typically charging occurs for the first 16 hours after the device is powered or after a discharge. For non-maintained emergency devices or DALI controlled devices this is measured when the light is off and charger is in standby mode.	
Switch Type	Inbuilt Mains Rated DALI Switch
Working Temp Range (C)	0 to 40

LAMP	
Macadam Steps (SDCM)	3-step MacAdam Ellipse
CCT Configuration	TUNEABLE WHITE
CRI	>84
Lamp/LED Current (mA)	0.65
Lamp/LED voltage (V)	33

LED LIFETIME		
TM-21 Test Hours (hrs)	20000	
Ambient Temp (°C)	25	40
L70B10	>120000	>120000
L70B50	>120000	>120000

COLOUR TEMPERATURE	
CCT (K)	3300 to 6100
CCT Colour	Tunable White
LED Wattage (W)	21

### DRIVER

Dimmable	Yes
Driver Included	Yes
Integrated Driver	No
Driver Type	DALI DT1 and DT8 Dimmable
Wiring Type	Re-wireable terminal block (6 pin)

### EMERGENCY (EM SUFFIX)

Replacement Battery Code	01302
--------------------------	-------

### COMPLIANCE

Design Life (hr)	100000
------------------	--------

### WARRANTY

Commercial Use Warranty	5 RTB (Total 5 Years)
-------------------------	-----------------------

### DIMENSIONS

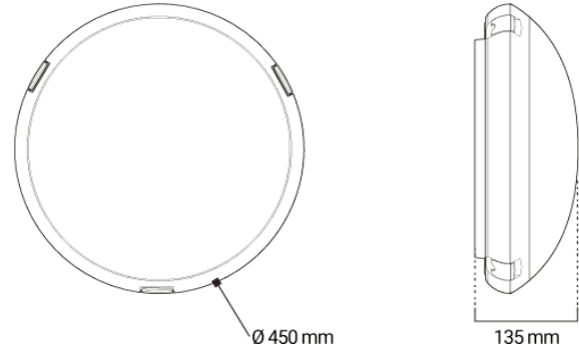
Product Diameter(mm)	450
Product Height (mm)	135

### ORDERING INFORMATION

Order code	11962
Description	EV-PEARL-PRO-IP65-S~Pearl Bunker - 25W IP65 Tuneable White DT8 With Sensor
Item Code	EV-PEARL-PRO-IP65-S

### LINE DRAWINGS

EV/PEARL/PRO/IP65



# EV-PEARL-PRO-IP65

Pearl Professional Circular IP65, 3000-6500K, 450 mm - SER II

## FEATURES

- Vandal-proof IK08 rating
- IP65 weatherproof rating
- Power monitoring (DT51)
- Tuneable white (DT8-Tc) controlled by DALI
- Flicker-free dimming controlled by DALI
- Long life electronics
- 10 Years Design Life - 100,000 hours at max. ambient
- DALI (IEC62386)



MECHANICAL	
Body Material	Polycarbonate
Diffuser Material	Polycarbonate
Fitting Colour	White
IK Rating	IK08
Installation Type	Surface mount
IP Rating	IP65

ELECTRICAL	
Electrical Rating (Class)	1
Input Frequency (Hz)	50
Input voltage	230Vac
In Australia the Input voltage is defined as 230Vac -6%/+10%. This effectively means that the voltage range of these products are 216Vac - 253Vac or 240V +6%	
Maximum Wattage (W)	25
Standby Power (W)	0.3
Standby power for maintained emergency devices is measured when the light is on and the charger is in standby. Typically charging occurs for the first 16 hours after the device is powered or after a discharge. For non-maintained emergency devices or DALI controlled devices this is measured when the light is off and charger is in standby mode.	
Switch Type	Inbuilt Mains Rated DALI Switch
Working Temp Range (C)	0 to 40

LAMP	
Macadam Steps (SDCM)	3-step MacAdam Ellipse
CCT Configuration	TUNEABLE WHITE
CRI	>84
Lamp/LED Current (mA)	0.65
Lamp/LED voltage (V)	33

LED LIFETIME		
TM-21 Test Hours (hrs)	20000	
Ambient Temp (°C)	25	40
L70B10	>120000	>120000
L70B50	>120000	>120000

COLOUR TEMPERATURE	
CCT (K)	3300 to 6100
CCT Colour	Tunable White
LED Wattage (W)	21

### DRIVER

Dimmable	Yes
Driver Included	Yes
Integrated Driver	No
Driver Type	DALI DT1 and DT8 Dimmable
Wiring Type	Re-wireable terminal block (6 pin)

### EMERGENCY (EM SUFFIX)

Replacement Battery Code	01302
--------------------------	-------

### COMPLIANCE

Design Life (hr)	100000
------------------	--------

### WARRANTY

Commercial Use Warranty	5 RTB (Total 5 Years)
-------------------------	-----------------------

### DIMENSIONS

Product Diameter(mm)	450
Product Height (mm)	135

### ORDERING INFORMATION

Order code	11961
Description	EV-PEARL-PRO-IP65~Pearl Bunker - 25W IP65 Tuneable White DT8
Item Code	EV-PEARL-PRO-IP65

### LINE DRAWINGS

EV/PEARL/PRO/IP65

