

PAR3001: PAR30 LED GLOBE

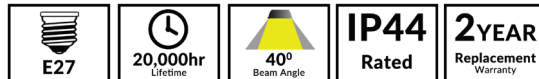


Globes - LED Globes

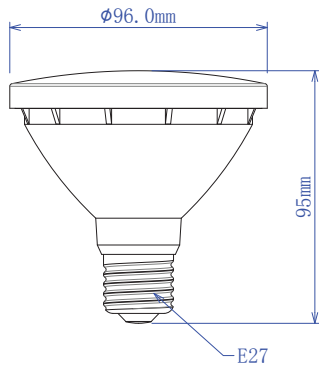


Product Features:

- Input voltage range: 185-265V AC 50/60Hz
- Constant current driver inbuilt
- Housing: PBT, aluminium & PC
- Heat sink: PBT & aluminium
- LED chips: 10pcs SMD2835
- Power factor: ≥ 0.5
- Ambient temp: -10 to 40°C
- Not suitable for dimming
- Suitable for 2-way switching
- Suitable for use with PIR sensor



Suitable for CLA SEC series security lights



PART NO.	DESCRIPTION	BASE	KELVIN	LUMENS	WATT	CRI	WEIGHT	BOX	CARTON QTY
PAR3001	GLOBE LED ES PAR30 (Black P/C)	E27	5000K	800lm	10W	80	0.15kg	10.2X10.2X10.5cm	1/50