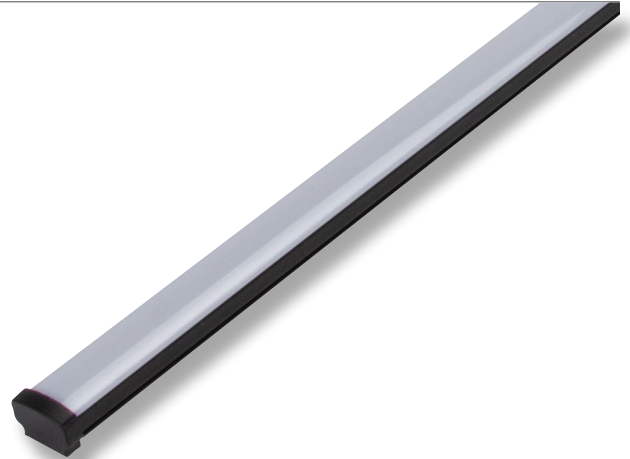




OPTI-SM LED Mounting Profile

Description

Introducing the OPTI-SM surface mounting profile system. The OPTI-SM is specifically designed for the Domus range of LED strip lighting. This aluminium mounting profile system incorporated extruded profile complete with a flat opal or clear colour polycarbonate diffuser. The key features of the OPTI-SM is the ability to not only conceal the LED strip lighting but also keep the strip lighting linear. Also, the OPTI-SM keeps LEDs free from foreign objects and vapours which may damage the LEDs. A simple yet very contemporary LED surface mounted profile ideally suited to under bench mounting, pelmets, wardrobes or laundry applications.



Specification Features

Installation:	Wall or surface mounted
Material:	Extruded aluminium 6063
Finish:	Natural clear anodised
Diffuser:	Curved (PC) Opal or clear colour
Length (mm):	3000mm continuous*
Size (mm):	Profile (W) 20.6mm (H) 13.8mm
Accessories (each):	End caps (silver) and mounting clips**
Special:	Custom powder coated colour upon request***
Driver Installation:	Remote driver required (not included)

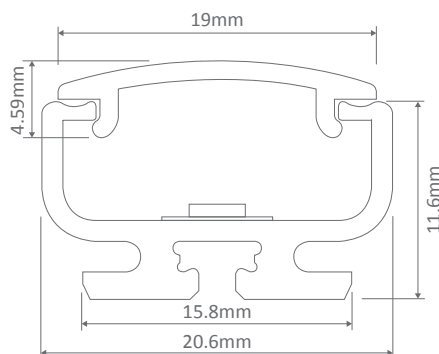
* Profile sold per meter. Can be cut to suit any length.
 ** Accessories to be ordered separately.
 *** Special powder coat finishes upon request. Surcharges apply.



Compatible PLEX LED Strip

7.2	14.4	19.2
•	•	•

Diagrams / Additional



Item No.	Variant			Details
	Alu	Blk	Wht	
OPTI-SM	22001	22062	22063	Sold per 1 metre