

Last modification

2023-04-23

## ONETA PE05-BKCL

9329501062999



Elegance and charm, describes the Oneta family of lighting fixtures. A marble look sphere houses a precise optical faceted dome to provide a modern luxury exclusive look. The pendants are available as 1, 4 bar, 5 or 10 light cluster. Complimentary pieces also include wall, table and floor lamps.

### Overview

<b>Family name</b>	Oneta
<b>Categories</b>	Pendants
<b>Mounting</b>	Surface
<b>Shade Shape</b>	Round
<b>Suspension Type</b>	Cable
<b>Usage</b>	Indoor Lighting

### Color / Material

<b>Fixture Color</b>	Black Marble, Antique Gold, Clear
<b>Fixture Material</b>	Iron, Acrylic
<b>Canopy Color</b>	Black Matt
<b>Diffuser Color</b>	Clear
<b>Diffuser Material</b>	Acrylic
<b>Cable Color</b>	Black
<b>Cable Material</b>	Textile

### Size

<b>Fixture Diameter (cm)</b>	37.0
<b>Fixture Height (cm)</b>	20.0
<b>Canopy Diameter (cm)</b>	30.0
<b>Canopy Projection (cm)</b>	2.5
<b>Shade Diameter (cm)</b>	11.0
<b>Suspension Length (cm)</b>	300.0
<b>Height Adjustable?</b>	Yes

### Specification

<b>Voltage Input</b>	240V
----------------------	------

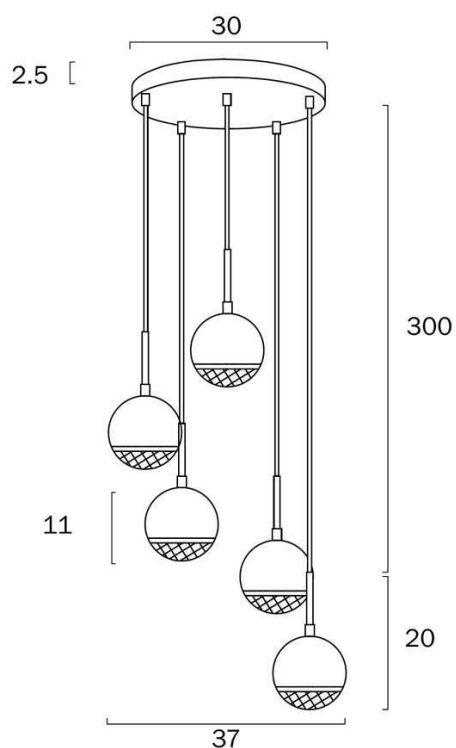
All representations within this document are subject to copyright. ELECTRICAL INSTALLATIONS MUST BE PERFORMED BY A QUALIFIED ELECTRICAL CONTRACTOR AND INSTALLED IN ACCORDANCE WITH AS/NZS 3000.  
NOTE : All images , descriptions and dimensions are indicative. Please check latest version of item detail on Telbix website prior to ordering or installation.

<b>Wattage (max)</b>	30
<b>Wattage</b>	6
<b>Globe Type</b>	G9
<b>Globe / Light Source qty</b>	5
<b>Globe / Light Source included</b>	No
<b>Electrical Protection</b>	CLASS I - HIGH VOLTAGE, EARTH REQUIRED
<b>IP rating</b>	IP20
<b>Lead and Plug</b>	No
<b>Approvals</b>	RCM
<b>Assembly Required</b>	Yes
<b>Box Contents</b>	Basic mounting screws, Instruction
<b>Installation Required</b>	Yes (by Licensed Electrician only)
<b>Care Instructions</b>	Do not use strong liquid cleaners, Wipe clean with a dry cloth
<b>Replacement Warranty</b>	*3 Years

## Barcode

**GTIN** 9329501062999

## Image -dimensions



Note: Dimensions are only a guide and may vary due to manufacturing variations.





Last modification 2023-04-23

## ONETA PE05-WHCL 9329501063002



Elegance and charm, describes the Oneta family of lighting fixtures. A marble look sphere houses a precise optical faceted dome to provide a modern luxury exclusive look. The pendants are available as 1, 4 bar, 5 or 10 light cluster. Complimentary pieces also include wall, table and floor lamps.

### Overview

<b>Family name</b>	Oneta
<b>Categories</b>	Pendants
<b>Mounting</b>	Surface
<b>Shade Shape</b>	Round
<b>Suspension Type</b>	Cable
<b>Usage</b>	Indoor Lighting

### Color / Material

<b>Fixture Color</b>	White Marble, Antique Gold, Clear
<b>Fixture Material</b>	Iron, Acrylic
<b>Canopy Color</b>	White
<b>Diffuser Color</b>	Clear
<b>Diffuser Material</b>	Acrylic
<b>Cable Color</b>	White
<b>Cable Material</b>	Textile

### Size

<b>Fixture Diameter (cm)</b>	37.0
<b>Fixture Height (cm)</b>	20.0
<b>Canopy Diameter (cm)</b>	30.0
<b>Canopy Projection (cm)</b>	2.5
<b>Shade Diameter (cm)</b>	11.0
<b>Suspension Length (cm)</b>	300.0
<b>Height Adjustable?</b>	Yes

### Specification

<b>Voltage Input</b>	240V
----------------------	------

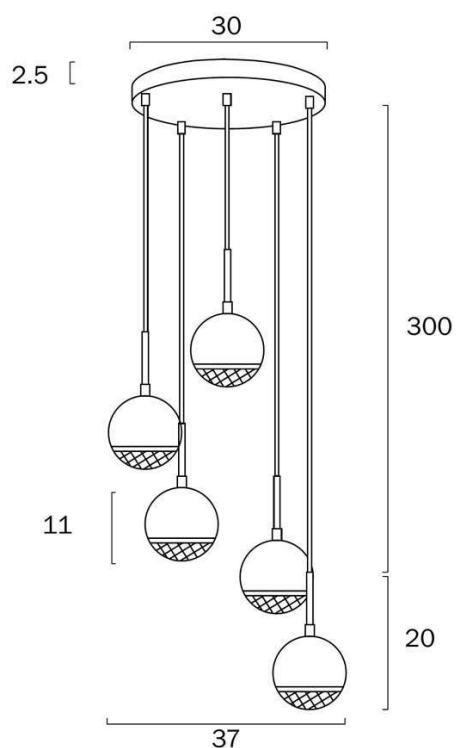
All representations within this document are subject to copyright. ELECTRICAL INSTALLATIONS MUST BE PERFORMED BY A QUALIFIED ELECTRICAL CONTRACTOR AND INSTALLED IN ACCORDANCE WITH AS/NZS 3000.  
NOTE : All images , descriptions and dimensions are indicative. Please check latest version of item detail on Telbix website prior to ordering or installation.

<b>Wattage (max)</b>	30
<b>Wattage</b>	6
<b>Globe Type</b>	G9
<b>Globe / Light Source qty</b>	5
<b>Globe / Light Source included</b>	No
<b>Electrical Protection</b>	CLASS I - HIGH VOLTAGE, EARTH REQUIRED
<b>IP rating</b>	IP20
<b>Lead and Plug</b>	No
<b>Approvals</b>	RCM
<b>Assembly Required</b>	Yes
<b>Box Contents</b>	Basic mounting screws, Instruction
<b>Installation Required</b>	Yes (by Licensed Electrician only)
<b>Care Instructions</b>	Do not use strong liquid cleaners, Wipe clean with a dry cloth
<b>Replacement Warranty</b>	*3 Years

## Barcode

**GTIN** 9329501063002

## Image -dimensions



Note: Dimensions are only a guide and may vary due to manufacturing variations.



