

14.4w IP67 24v DC 3000K NEOLITE Flexible LED Strip

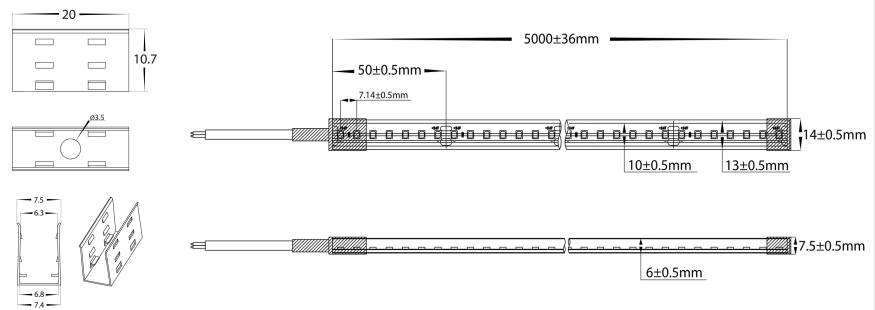


PRODUCT SPECIFICATIONS

- Watts Per Metre:** 14.4w
- Input Voltage:** 24v DC
- Colour Temp:** 3000k
- CRI:** >80
- Beam Angle:** 120°
- IP Rating:** IP67
- Size:** 14mm (H) x 7mm (W) (Including End Caps)
- PCB:** 3oz
- Dimmable:** Yes
- LED Chip Type:** 2835
- LED Chips Per Metre:** 140 LED'S
- Lumens Per Metre:** 600lm
- Maximum Length:** 5000mm
- Cutting Increments:** Every 50mm
- Wiring:** Parallel
- Mounting:** Clips (4 clips supplied per metre)
- Warranty:** 2 Years Replacement**



DIMENSIONS



IP RATING



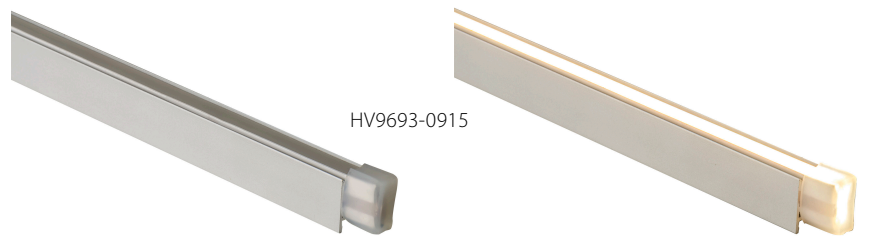
APPROVALS



MOUNTING CLIPS



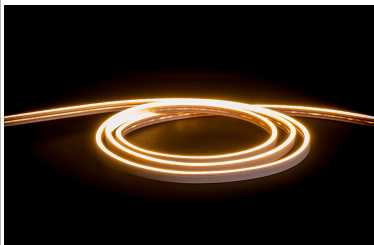
OPTIONAL ALUMINIUM CHANNEL



Product Ordering

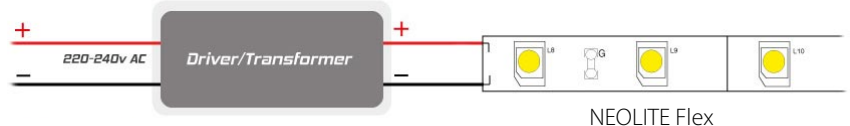
IMAGE

PART NUMBER



HV9792-IP67-140-3K

SAMPLE INSTALLATION DIAGRAM



Must be used with a suitable 24v DC LED Driver

* Lumens measured @ source

**See Warranty Terms and Conditions for more information

For more information contact Havit Lighting

ADDRESS:
143 Beauchamp Road
Matraville NSW 2036
Australia

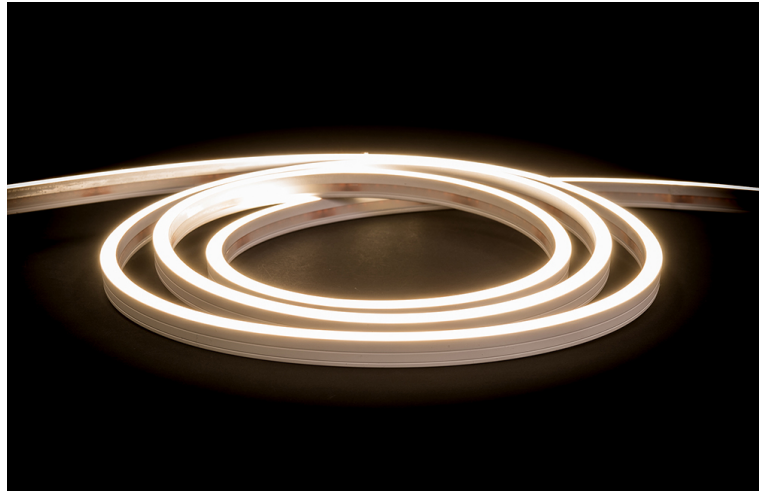
Tel: 02 9381 8300
Fax: 02 9666 8881
Email: sales@havit.com.au
web: www.havit.com.au

14.4w IP67 24v DC 4000K NEOLITE Flexible LED Strip

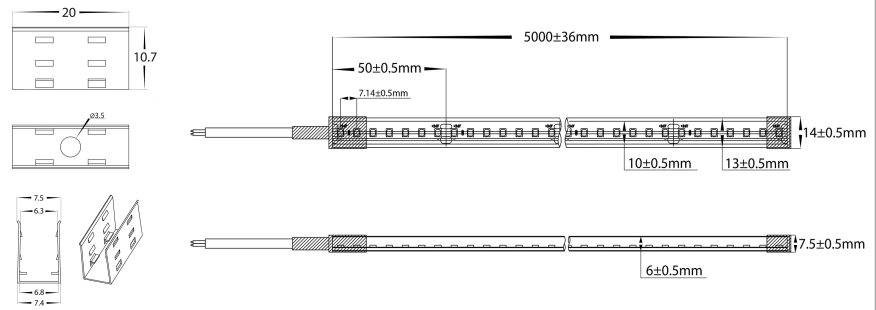


PRODUCT SPECIFICATIONS

- Watts Per Metre:** 14.4w
- Input Voltage:** 24v DC
- Colour Temp:** 4000k
- CRI:** >80
- Beam Angle:** 120°
- IP Rating:** IP67
- Size:** 14mm (H) x 7mm (W) (Including End Caps)
- PCB:** 3oz
- Dimmable:** Yes
- LED Chip Type:** 2835
- LED Chips Per Metre:** 140 LED'S
- Lumens Per Metre:** 630lm
- Maximum Length:** 5000mm
- Cutting Increments:** Every 50mm
- Wiring:** Parallel
- Mounting:** Clips (4 clips supplied per metre)
- Warranty:** 2 Years Replacement**



DIMENSIONS



IP RATING



APPROVALS



MOUNTING CLIPS



OPTIONAL ALUMINIUM CHANNEL



Product Ordering

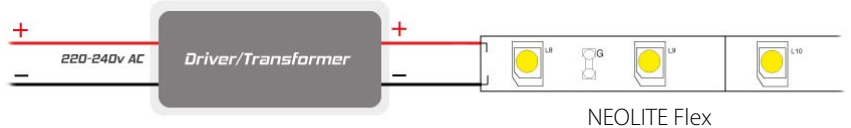
IMAGE

PART NUMBER



HV9792-IP67-140-4K

SAMPLE INSTALLATION DIAGRAM



Must be used with a suitable 24v DC LED Driver

* Lumens measured @ source

**See Warranty Terms and Conditions for more information

For more information contact Havit Lighting

ADDRESS:
143 Beauchamp Road
Matraville NSW 2036
Australia

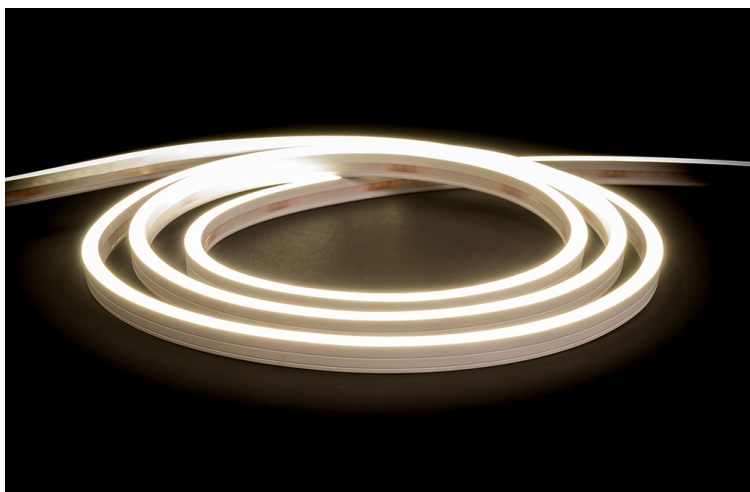
Tel: 02 9381 8300
Fax: 02 9666 8881
Email: sales@havit.com.au
web: www.havit.com.au

14.4w IP67 24v DC 5500K NEOLITE Flexible LED Strip

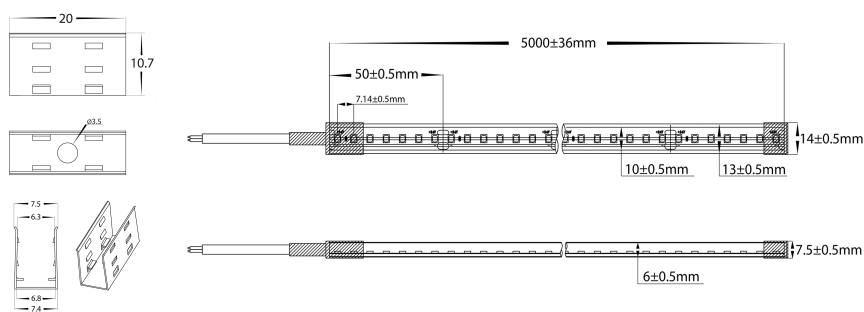


PRODUCT SPECIFICATIONS

- Watts Per Metre:** 14.4w
- Input Voltage:** 24v DC
- Colour Temp:** 5500k
- CRI:** >80
- Beam Angle:** 120°
- IP Rating:** IP67
- Size:** 14mm (H) x 7mm (W) (Including End Caps)
- PCB:** 3oz
- Dimmable:** Yes
- LED Chip Type:** 2835
- LED Chips Per Metre:** 140 LED'S
- Lumens Per Metre:** 660lm
- Maximum Length:** 5000mm
- Cutting Increments:** Every 50mm
- Wiring:** Parallel
- Mounting:** Clips (4 clips supplied per metre)
- Warranty:** 2 Years Replacement**



DIMENSIONS



IP RATING



APPROVALS



MOUNTING CLIPS



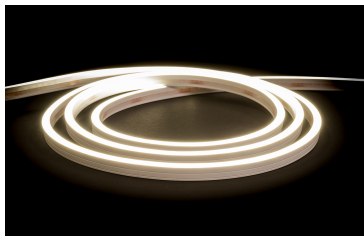
OPTIONAL ALUMINIUM CHANNEL



Product Ordering

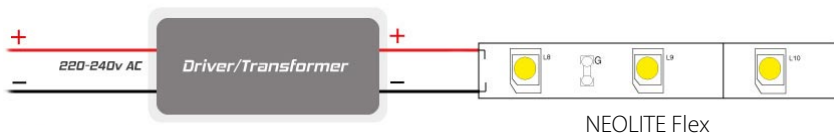
IMAGE

PART NUMBER



HV9792-IP67-140-5K

SAMPLE INSTALLATION DIAGRAM



Must be used with a suitable 24v DC LED Driver

* Lumens measured @ source

**See Warranty Terms and Conditions for more information

For more information contact Havit Lighting

ADDRESS:
143 Beauchamp Road
Matraville NSW 2036
Australia

Tel: 02 9381 8300
Fax: 02 9666 8881
Email: sales@havit.com.au
web: www.havit.com.au

14.4w IP67 24v DC 3000k LED Strip

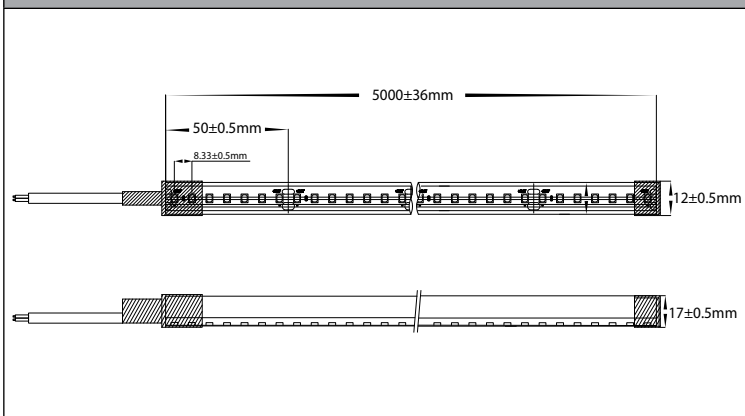


PRODUCT SPECIFICATIONS

| | |
|---------------------|-------------------------------------|
| Watts Per Metre | 14.4w |
| Input Voltage | 24v DC |
| Colour Temp | 3000K |
| Beam Angle | 120° |
| IP Rating | IP67 |
| Size | 12mm (W) x 17mm (H) |
| PCB | 3oz |
| CRI | >90 |
| Wiring | Parallel |
| Dimmable | Yes |
| LED Chip Type | 2835 |
| No. Chips Per Metre | 120 |
| Lumens Per Metre | 600lm |
| Maximum Length | 5000mm |
| Cutting Increments | Every 50mm |
| Mounting | Aluminium Channel or Mounting Clips |
| Warranty | 2 Years Replacement |



DIMENSIONS



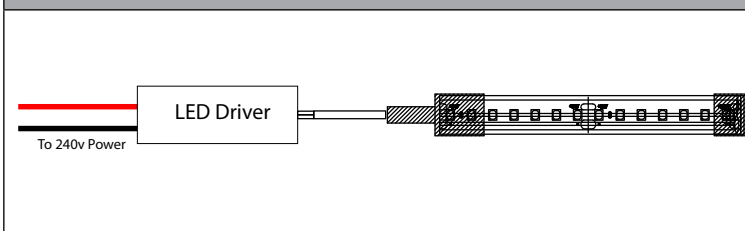
APPROVAL



IP RATING



SAMPLE WIRING DIAGRAM



PRODUCT ORDERING

| IMAGE | PART NUMBER |
|-------|--------------------|
| | HV9795-IP67-200-3K |

ACCESSORIES

| IMAGE | PART NUMBER | DESCRIPTION |
|-------|-------------|--|
| | HV9795-MC | Mounting Clip |
| | HV9795-ALU | Aluminium Channel 1000mm Lengths Only |

For More Information Contact Havit Lighting

143 Beauchamp Road
Matraville NSW 2036
Australia

Tel: 02 9381 8300
Fax: 02 9666 8881
Email: sales@havit.com.au
Web: www.havit.com.au

14.4w IP67 24v DC 4000k LED Strip

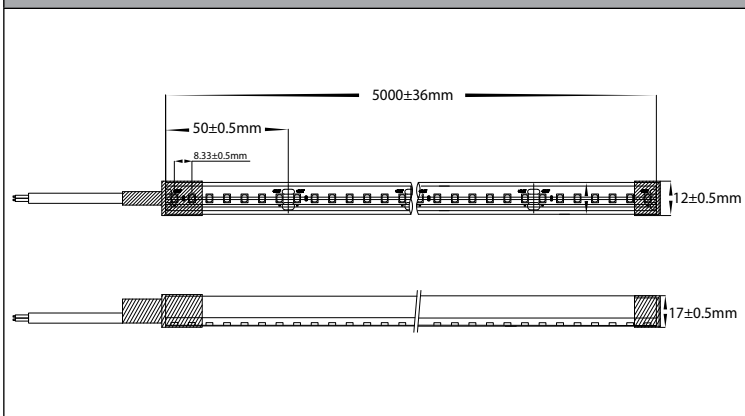


PRODUCT SPECIFICATIONS

| | |
|---------------------|-------------------------------------|
| Watts Per Metre | 14.4w |
| Input Voltage | 24v DC |
| Colour Temp | 4000K |
| Beam Angle | 120° |
| IP Rating | IP67 |
| Size | 12mm (W) x 17mm (H) |
| PCB | 3oz |
| CRI | >90 |
| Wiring | Parallel |
| Dimmable | Yes |
| LED Chip Type | 2835 |
| No. Chips Per Metre | 120 |
| Lumens Per Metre | 620lm |
| Maximum Length | 5000mm |
| Cutting Increments | Every 50mm |
| Mounting | Aluminium Channel or Mounting Clips |
| Warranty | 2 Years Replacement |



DIMENSIONS



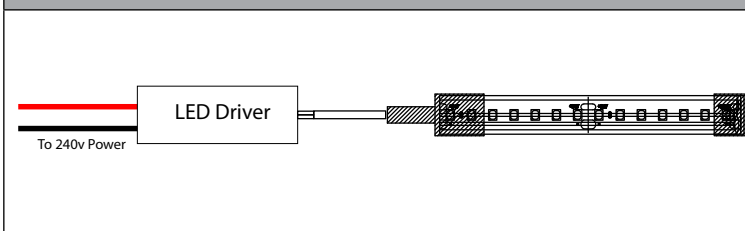
APPROVAL



IP RATING



SAMPLE WIRING DIAGRAM



PRODUCT ORDERING

| IMAGE | PART NUMBER |
|-------|--------------------|
| | HV9795-IP67-200-4K |

ACCESSORIES

| IMAGE | PART NUMBER | DESCRIPTION |
|-------|-------------|--|
| | HV9795-MC | Mounting Clip |
| | HV9795-ALU | Aluminium Channel 1000mm Lengths Only |

For More Information Contact Havit Lighting

143 Beauchamp Road
Matraville NSW 2036
Australia

Tel: 02 9381 8300
Fax: 02 9666 8881
Email: sales@havit.com.au
Web: www.havit.com.au

14.4w IP67 24v DC 5500k LED Strip

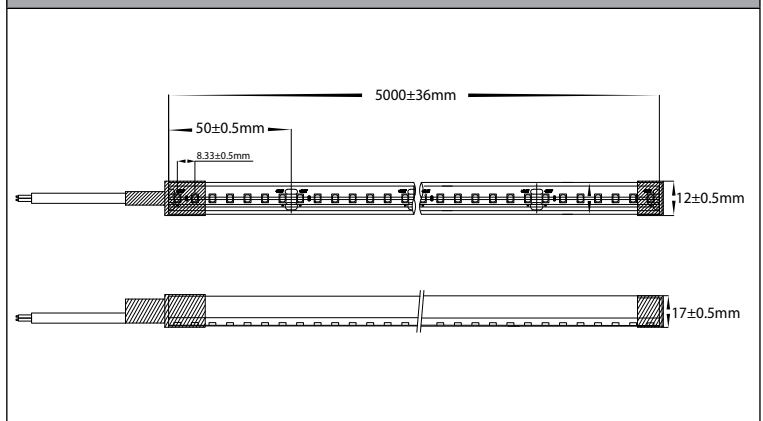


PRODUCT SPECIFICATIONS

| | |
|---------------------|-------------------------------------|
| Watts Per Metre | 14.4w |
| Input Voltage | 24v DC |
| Colour Temp | 5500K |
| Beam Angle | 120° |
| IP Rating | IP67 |
| Size | 12mm (W) x 17mm (H) |
| PCB | 3oz |
| CRI | >90 |
| Wiring | Parallel |
| Dimmable | Yes |
| LED Chip Type | 2835 |
| No. Chips Per Metre | 120 |
| Lumens Per Metre | 650lm |
| Maximum Length | 5000mm |
| Cutting Increments | Every 50mm |
| Mounting | Aluminium Channel or Mounting Clips |
| Warranty | 2 Years Replacement |



DIMENSIONS



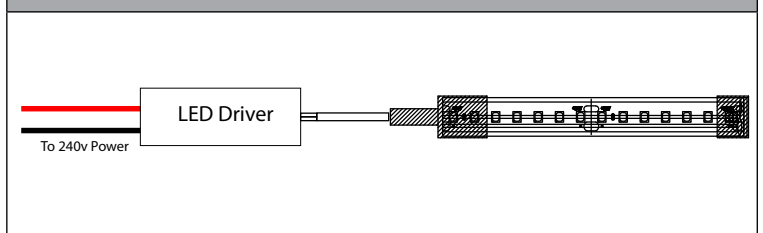
APPROVAL




IP RATING





SAMPLE WIRING DIAGRAM



PRODUCT ORDERING

| IMAGE | PART NUMBER |
|--|--------------------|
|  | HV9795-IP67-200-5K |

ACCESSORIES

| IMAGE | PART NUMBER | DESCRIPTION |
|---|-------------|--|
|  | HV9795-MC | Mounting Clip |
|  | HV9795-ALU | Aluminium Channel 1000mm Lengths Only |

For More Information Contact Havit Lighting

143 Beauchamp Road
Matraville NSW 2036
Australia

Tel: 02 9381 8300
Fax: 02 9666 8881
Email: sales@havit.com.au
Web: www.havit.com.au