

Last modification

2022-11-11

NAVARO PE120-GDB 9329501059852



The Navaro is the latest linear aluminum suspension with direct integrated LED light. The extruded channel encases the LED array and is controlled by TUYA smart home app. Using the smart phone app you can control the warmth and brightness of the light, and full remote operation of scene and timing. Two lengths are available with a choice of Black, Gold or White body.

Overview

Family name	Navaro
Categories	Pendants
Mounting	Surface
This item includes	Suspension
Suspension Type	Cable
Usage	Indoor Lighting,Trade Selection

Color / Material

Fixture Color	Black,Gold,Opal
Fixture Material	Aluminium,Polycarbonate
Canopy Color	Black
Diffuser Color	Opal
Diffuser Material	Polycarbonate
Cable Color	Black

Size

Fixture Length (cm)	120.0
Fixture Width (cm)	5.0
Fixture Height (cm)	7.5
Canopy Length (cm)	55.0
Canopy Projection (cm)	5.0
Canopy Width (cm)	5.3
Suspension Length (cm)	200.0

Specification

Voltage Input	240V
Wattage (max)	40

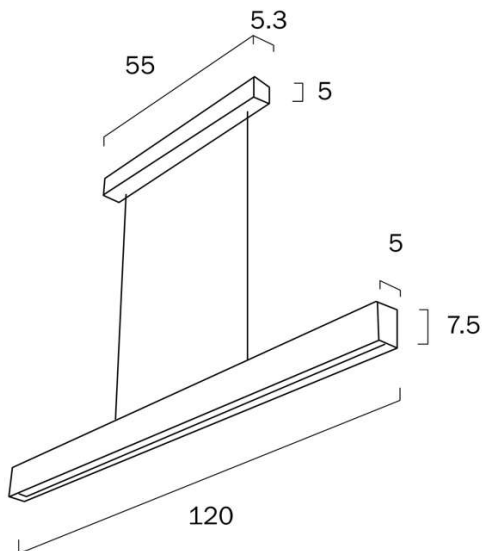
All representations within this document are subject to copyright.ELECTRICAL INSTALLATIONS MUST BE PERFORMED BY A QUALIFIED ELECTRICAL CONTRACTOR AND INSTALLED IN ACCORDANCE WITH AS/NZS 3000.
NOTE : All images , descriptions and dimensions are indicative. Please check latest version of item detail on Telbix website prior to ordering or installation.

Globe Type	LED integrated SMD
Globe / Light Source qty	1
Globe / Light Source included	Yes
Lumens	2800
Color Temperature	Tunable via Smart Life app by TUYA
Color Kelvin	2700k to 5500k
Color Rendering	>80
Dimmable	Dimmable via Smart Life app by TUYA
Additional Functions	SMART control via Smart Life app by TUYA (Scene, Timer, Schedule)
Beam Angle (degree)	100
Electrical Protection	CLASS I - HIGH VOLTAGE, EARTH REQUIRED
IP rating	IP20
Lead and Plug	No
Approvals	RCM
Assembly Required	No
Box Contents	Basic mounting screws,Instruction
Installation Required	Yes (by Licensed Electrician only)
Care Instructions	Do not use strong liquid cleaners,Wipe clean with a dry cloth
Replacement Warranty	*3 Years

Barcode

GTIN 9329501059852

Image -dimensions



Suspension Length: 200cm

Disclaimer -Product

This is a Smart Life control lighting fixture:

All functions/settings such as dimming, scheduling, and mood lighting settings are via the Smart Life app only. The app can be downloaded through the App Store (iPhone User) and Play Store (Andriod User) via QR code.

Via wall switch function:

- The wall switch turns the fixture ON/OFF ONLY
- The fixture holds memory from the last smart setting from App/Smart device.



Last modification

2022-11-11

NAVARO PE120-WH

9329501059869



The Navaro is the latest linear aluminum suspension with direct integrated LED light. The extruded channel encases the LED array and is controlled by TUYA smart home app. Using the smart phone app you can control the warmth and brightness of the light, and full remote operation of scene and timing. Two lengths are available with a choice of Black, Gold or White body.

Overview

Family name	Navaro
Categories	Pendants
Mounting	Surface
This item includes	Suspension
Suspension Type	Cable
Usage	Indoor Lighting,Trade Selection

Color / Material

Fixture Color	White,Opal
Fixture Material	Aluminium,Polycarbonate
Canopy Color	White
Diffuser Color	Opal
Diffuser Material	Polycarbonate
Cable Color	Black

Size

Fixture Length (cm)	120.0
Fixture Width (cm)	5.0
Fixture Height (cm)	7.5
Canopy Length (cm)	55.0
Canopy Projection (cm)	5.0
Canopy Width (cm)	5.3
Suspension Length (cm)	200.0

Specification

Voltage Input	240V
Wattage (max)	40

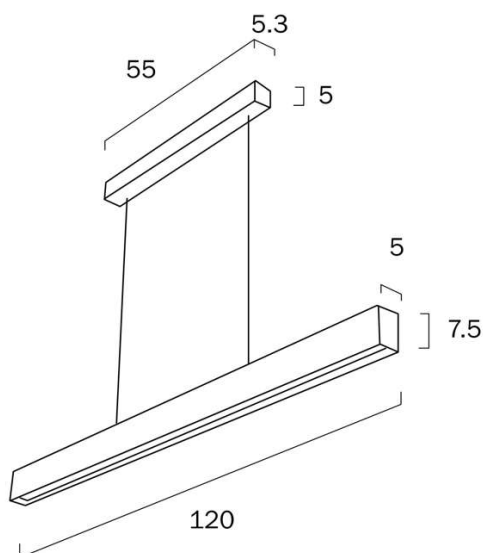
All representations within this document are subject to copyright.ELECTRICAL INSTALLATIONS MUST BE PERFORMED BY A QUALIFIED ELECTRICAL CONTRACTOR AND INSTALLED IN ACCORDANCE WITH AS/NZS 3000.
NOTE : All images , descriptions and dimensions are indicative. Please check latest version of item detail on Telbix website prior to ordering or installation.

Globe Type	LED integrated SMD
Globe / Light Source qty	1
Globe / Light Source included	Yes
Lumens	2800
Color Temperature	Tunable via Smart Life app by TUYA
Color Kelvin	2700k to 5500k
Color Rendering	>80
Dimmable	Dimmable via Smart Life app by TUYA
Additional Functions	SMART control via Smart Life app by TUYA (Scene, Timer, Schedule)
Beam Angle (degree)	100
Electrical Protection	CLASS I - HIGH VOLTAGE, EARTH REQUIRED
IP rating	IP20
Lead and Plug	No
Approvals	RCM
Assembly Required	No
Box Contents	Basic mounting screws,Instruction
Installation Required	Yes (by Licensed Electrician only)
Care Instructions	Do not use strong liquid cleaners,Wipe clean with a dry cloth
Replacement Warranty	*3 Years

Barcode

GTIN 9329501059869

Image -dimensions



Suspension Length: 200cm

Disclaimer -Product

This is a Smart Life control lighting fixture:
All functions/settings such as dimming, scheduling, and mood lighting settings are via the Smart Life app only. The app can be downloaded through the App Store (iPhone User) and Play Store (Andriod User) via QR code.
Via wall switch function:

- The wall switch turns the fixture ON/OFF ONLY
- The fixture holds memory from the last smart setting from App/Smart device.



Last modification

2022-11-11

NAVARO PE120-GDB 9329501059852



The Navaro is the latest linear aluminum suspension with direct integrated LED light. The extruded channel encases the LED array and is controlled by TUYA smart home app. Using the smart phone app you can control the warmth and brightness of the light, and full remote operation of scene and timing. Two lengths are available with a choice of Black, Gold or White body.

Overview

Family name	Navaro
Categories	Pendants
Mounting	Surface
This item includes	Suspension
Suspension Type	Cable
Usage	Indoor Lighting,Trade Selection

Color / Material

Fixture Color	Black,Gold,Opal
Fixture Material	Aluminium,Polycarbonate
Canopy Color	Black
Diffuser Color	Opal
Diffuser Material	Polycarbonate
Cable Color	Black

Size

Fixture Length (cm)	120.0
Fixture Width (cm)	5.0
Fixture Height (cm)	7.5
Canopy Length (cm)	55.0
Canopy Projection (cm)	5.0
Canopy Width (cm)	5.3
Suspension Length (cm)	200.0

Specification

Voltage Input	240V
Wattage (max)	40

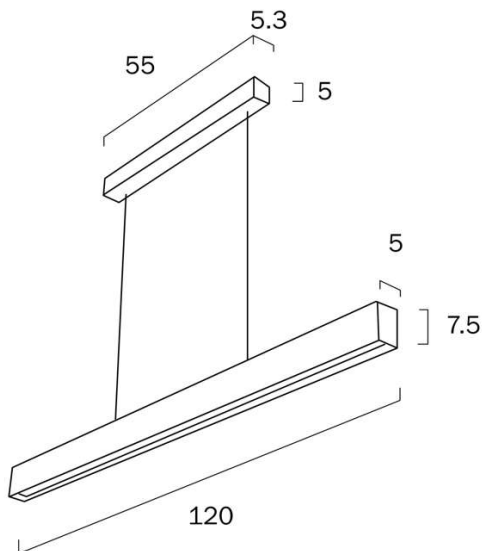
All representations within this document are subject to copyright.ELECTRICAL INSTALLATIONS MUST BE PERFORMED BY A QUALIFIED ELECTRICAL CONTRACTOR AND INSTALLED IN ACCORDANCE WITH AS/NZS 3000.
NOTE : All images , descriptions and dimensions are indicative. Please check latest version of item detail on Telbix website prior to ordering or installation.

Globe Type	LED integrated SMD
Globe / Light Source qty	1
Globe / Light Source included	Yes
Lumens	2800
Color Temperature	Tunable via Smart Life app by TUYA
Color Kelvin	2700k to 5500k
Color Rendering	>80
Dimmable	Dimmable via Smart Life app by TUYA
Additional Functions	SMART control via Smart Life app by TUYA (Scene, Timer, Schedule)
Beam Angle (degree)	100
Electrical Protection	CLASS I - HIGH VOLTAGE, EARTH REQUIRED
IP rating	IP20
Lead and Plug	No
Approvals	RCM
Assembly Required	No
Box Contents	Basic mounting screws,Instruction
Installation Required	Yes (by Licensed Electrician only)
Care Instructions	Do not use strong liquid cleaners,Wipe clean with a dry cloth
Replacement Warranty	*3 Years

Barcode

GTIN 9329501059852

Image -dimensions



Suspension Length: 200cm

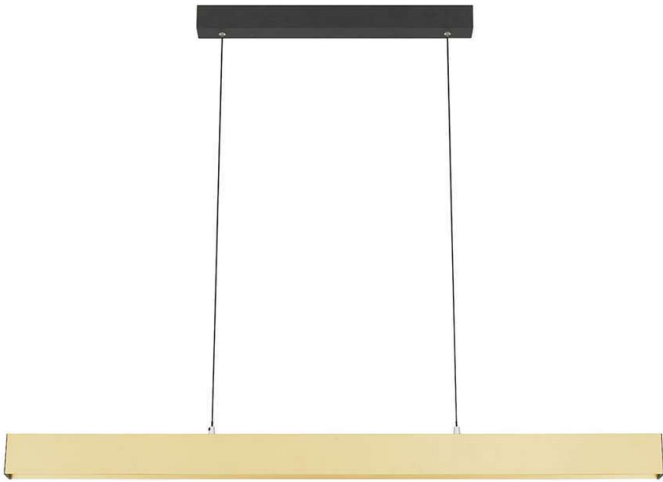
Disclaimer -Product

This is a Smart Life control lighting fixture:

All functions/settings such as dimming, scheduling, and mood lighting settings are via the Smart Life app only. The app can be downloaded through the App Store (iPhone User) and Play Store (Andriod User) via QR code.

Via wall switch function:

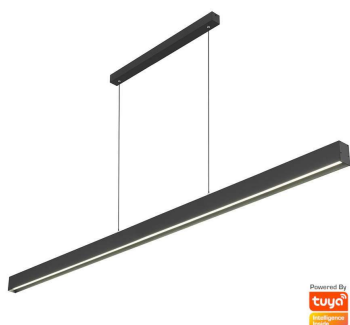
- The wall switch turns the fixture ON/OFF ONLY
- The fixture holds memory from the last smart setting from App/Smart device.



Last modification

2022-11-11

NAVARO PE240-BK 9329501059876



The Navaro is the latest linear aluminum suspension with direct integrated LED light. The extruded channel encases the LED array and is controlled by TUYA smart home app. Using the smart phone app you can control the warmth and brightness of the light, and full remote operation of scene and timing. Two lengths are available with a choice of Black, Gold or White body.

Overview

Family name	Navaro
Categories	Pendants
Mounting	Surface
This item includes	Suspension
Suspension Type	Cable
Usage	Indoor Lighting,Trade Selection

Color / Material

Fixture Color	Black,Opal
Fixture Material	Aluminium,Polycarbonate
Canopy Color	Black
Diffuser Color	Opal
Diffuser Material	Polycarbonate
Cable Color	Black

Size

Fixture Length (cm)	240.0
Fixture Width (cm)	5.0
Fixture Height (cm)	7.5
Canopy Length (cm)	80.0
Canopy Projection (cm)	5.0
Canopy Width (cm)	5.5
Suspension Length (cm)	200.0

Specification

Voltage Input	240V
Wattage (max)	60

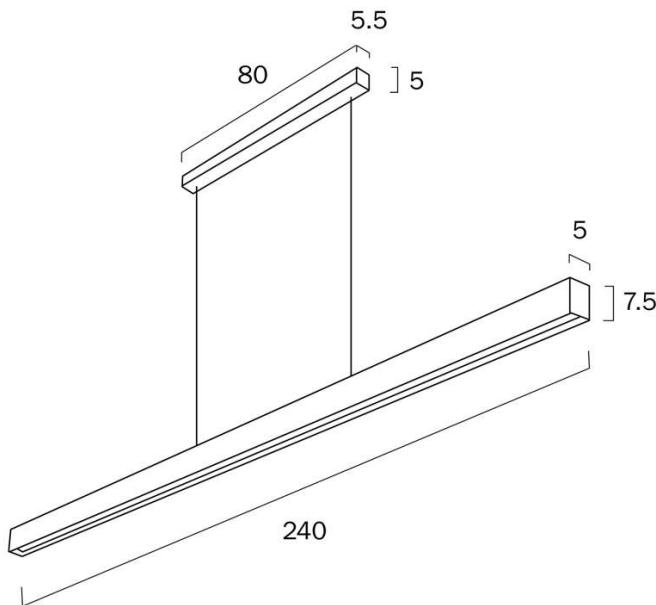
All representations within this document are subject to copyright.ELECTRICAL INSTALLATIONS MUST BE PERFORMED BY A QUALIFIED ELECTRICAL CONTRACTOR AND INSTALLED IN ACCORDANCE WITH AS/NZS 3000.
NOTE : All images , descriptions and dimensions are indicative. Please check latest version of item detail on Telbix website prior to ordering or installation.

Globe Type	LED integrated SMD
Globe / Light Source qty	1
Globe / Light Source included	Yes
Lumens	4200
Color Temperature	Tunable via Smart Life app by TUYA
Color Kelvin	2700k to 5500k
Color Rendering	>80
Dimmable	Dimmable via Smart Life app by TUYA
Additional Functions	SMART control via Smart Life app by TUYA (Scene, Timer, Schedule)
Beam Angle (degree)	100
Electrical Protection	CLASS I - HIGH VOLTAGE, EARTH REQUIRED
IP rating	IP20
Lead and Plug	No
Approvals	RCM
Assembly Required	No
Box Contents	Basic mounting screws,Instruction
Installation Required	Yes (by Licensed Electrician only)
Care Instructions	Do not use strong liquid cleaners,Wipe clean with a dry cloth
Replacement Warranty	*3 Years

Barcode

GTIN 9329501059876

Image -dimensions



Suspension Length: 200cm

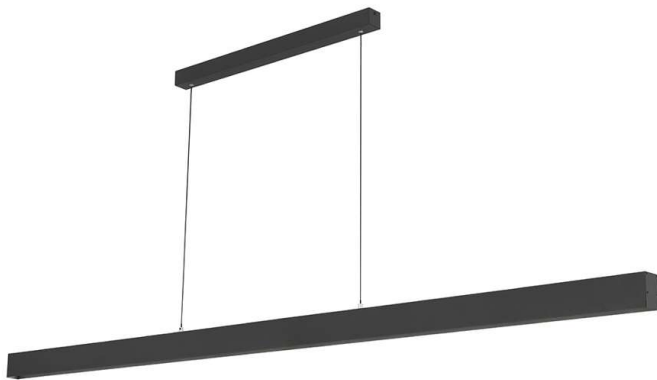
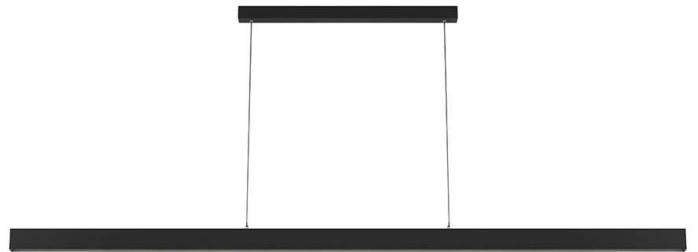
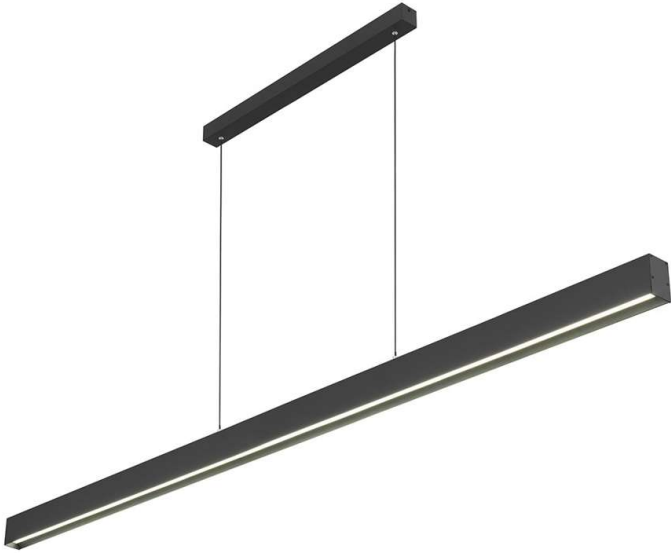
Disclaimer -Product

This is a Smart Life control lighting fixture:

All functions/settings such as dimming, scheduling, and mood lighting settings are via the Smart Life app only. The app can be downloaded through the App Store (iPhone User) and Play Store (Andriod User) via QR code.

Via wall switch function:

- The wall switch turns the fixture ON/OFF ONLY
- The fixture holds memory from the last smart setting from App/Smart device.



Last modification

2022-11-11

NAVARO PE240-GDB 9329501059883



The Navaro is the latest linear aluminum suspension with direct integrated LED light. The extruded channel encases the LED array and is controlled by TUYA smart home app. Using the smart phone app you can control the warmth and brightness of the light, and full remote operation of scene and timing. Two lengths are available with a choice of Black, Gold or White body.

Overview

Family name	Navaro
Categories	Pendants
Mounting	Surface
This item includes	Suspension
Suspension Type	Cable
Usage	Indoor Lighting,Trade Selection

Color / Material

Fixture Color	Black,Gold,Opal
Fixture Material	Aluminium,Polycarbonate
Canopy Color	Black
Diffuser Color	Opal
Diffuser Material	Polycarbonate
Cable Color	Black

Size

Fixture Length (cm)	240.0
Fixture Width (cm)	5.0
Fixture Height (cm)	7.5
Canopy Length (cm)	80.0
Canopy Projection (cm)	5.0
Canopy Width (cm)	5.5
Suspension Length (cm)	200.0

Specification

Voltage Input	240V
Wattage (max)	60

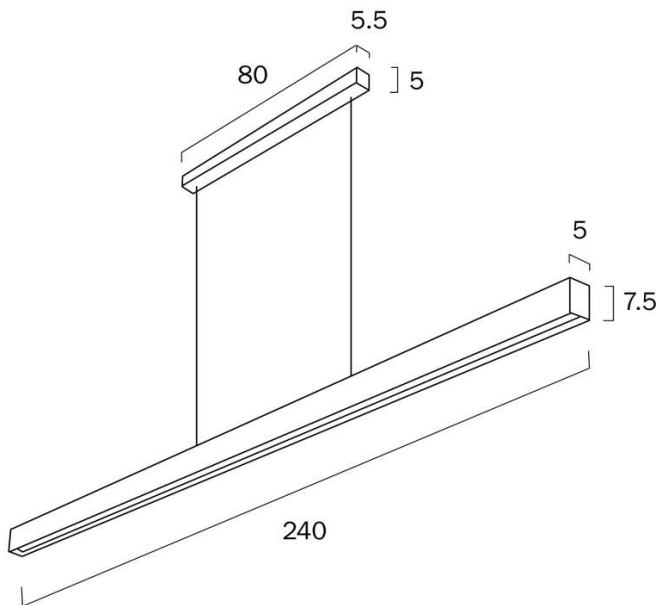
All representations within this document are subject to copyright.ELECTRICAL INSTALLATIONS MUST BE PERFORMED BY A QUALIFIED ELECTRICAL CONTRACTOR AND INSTALLED IN ACCORDANCE WITH AS/NZS 3000.
NOTE : All images , descriptions and dimensions are indicative. Please check latest version of item detail on Telbix website prior to ordering or installation.

Globe Type	LED integrated SMD
Globe / Light Source qty	1
Globe / Light Source included	Yes
Lumens	4200
Color Temperature	Tunable via Smart Life app by TUYA
Color Kelvin	2700k to 5500k
Color Rendering	>80
Dimmable	Dimmable via Smart Life app by TUYA
Additional Functions	SMART control via Smart Life app by TUYA (Scene, Timer, Schedule)
Beam Angle (degree)	100
Electrical Protection	CLASS I - HIGH VOLTAGE, EARTH REQUIRED
IP rating	IP20
Lead and Plug	No
Approvals	RCM
Assembly Required	No
Box Contents	Basic mounting screws,Instruction
Installation Required	Yes (by Licensed Electrician only)
Care Instructions	Do not use strong liquid cleaners,Wipe clean with a dry cloth
Replacement Warranty	*3 Years

Barcode

GTIN 9329501059883

Image -dimensions



Suspension Length: 200cm

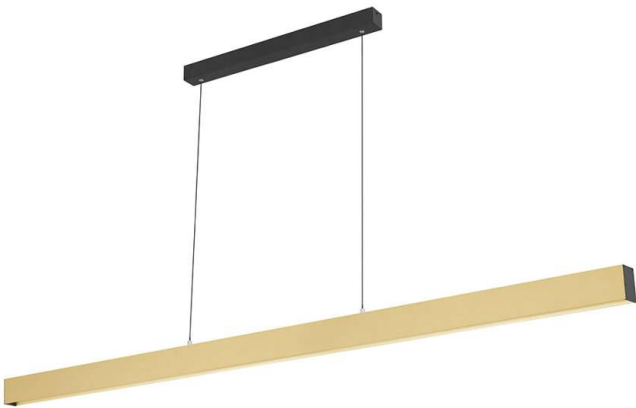
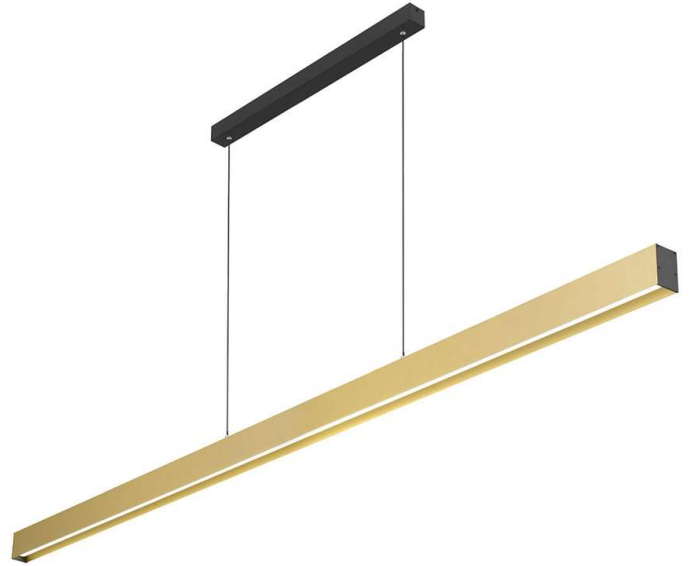
Disclaimer -Product

This is a Smart Life control lighting fixture:

All functions/settings such as dimming, scheduling, and mood lighting settings are via the Smart Life app only. The app can be downloaded through the App Store (iPhone User) and Play Store (Andriod User) via QR code.

Via wall switch function:

- The wall switch turns the fixture ON/OFF ONLY
- The fixture holds memory from the last smart setting from App/Smart device.



Last modification

2022-11-11

NAVARO PE240-WH 9329501059890



The Navaro is the latest linear aluminum suspension with direct integrated LED light. The extruded channel encases the LED array and is controlled by TUYA smart home app. Using the smart phone app you can control the warmth and brightness of the light, and full remote operation of scene and timing. Two lengths are available with a choice of Black, Gold or White body.

Overview

Family name	Navaro
Categories	Pendants
Mounting	Surface
This item includes	Suspension
Suspension Type	Cable
Usage	Indoor Lighting,Trade Selection

Color / Material

Fixture Color	White,Opal
Fixture Material	Aluminium,Polycarbonate
Canopy Color	White
Diffuser Color	Opal
Diffuser Material	Polycarbonate
Cable Color	Black

Size

Fixture Length (cm)	240.0
Fixture Width (cm)	5.0
Fixture Height (cm)	7.5
Canopy Length (cm)	80.0
Canopy Projection (cm)	5.0
Canopy Width (cm)	5.5
Suspension Length (cm)	200.0

Specification

Voltage Input	240V
Wattage (max)	60

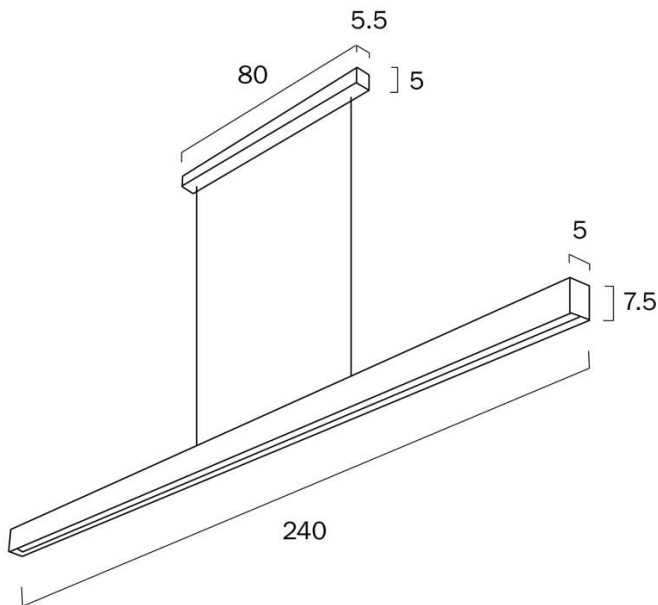
All representations within this document are subject to copyright.ELECTRICAL INSTALLATIONS MUST BE PERFORMED BY A QUALIFIED ELECTRICAL CONTRACTOR AND INSTALLED IN ACCORDANCE WITH AS/NZS 3000.
NOTE : All images , descriptions and dimensions are indicative. Please check latest version of item detail on Telbix website prior to ordering or installation.

Globe Type	LED integrated SMD
Globe / Light Source qty	1
Globe / Light Source included	Yes
Lumens	4200
Color Temperature	Tunable via Smart Life app by TUYA
Color Kelvin	2700k to 5500k
Color Rendering	>80
Dimmable	Dimmable via Smart Life app by TUYA
Additional Functions	SMART control via Smart Life app by TUYA (Scene, Timer, Schedule)
Beam Angle (degree)	100
Electrical Protection	CLASS I - HIGH VOLTAGE, EARTH REQUIRED
IP rating	IP20
Lead and Plug	No
Approvals	RCM
Assembly Required	No
Box Contents	Basic mounting screws,Instruction
Installation Required	Yes (by Licensed Electrician only)
Care Instructions	Do not use strong liquid cleaners,Wipe clean with a dry cloth
Replacement Warranty	*3 Years

Barcode

GTIN 9329501059890

Image -dimensions



Suspension Length: 200cm

Disclaimer -Product

This is a Smart Life control lighting fixture:

All functions/settings such as dimming, scheduling, and mood lighting settings are via the Smart Life app only. The app can be downloaded through the App Store (iPhone User) and Play Store (Andriod User) via QR code.

Via wall switch function:

- The wall switch turns the fixture ON/OFF ONLY
- The fixture holds memory from the last smart setting from App/Smart device.

