



Motion

Exhaust Fan Motion Sensor

- Turns on your exhaust fan automatically when you enter the room
- Quality Infrared sensor detection
- Adjust run on time length from 1 to 20 minutes
- Adjust sensor detection range from 1 to 5 metres

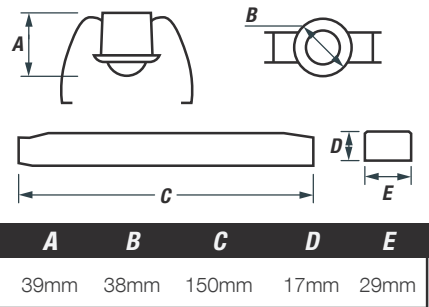
POWER

Maximum Load: 500 watts
Detection Range: 1-5 metres
Run on Timer: 1-20 mins
Power Input: 240v/~50Hz
Operating Temp: -10°C to 60°C

INSTALLATION

Installation: Qualified
Electrician Needed

DIMENSIONS



INCLUDES

1 x Motion Sensor Kit

SUITABLE FOR

- All Ventair exhaust fans
- New or existing exhaust fans

Model	Outer Carton	EAN13 Barcode
VTMSENSOR	19339310006951	9 339310 006954 >