

## MURO-ECO-20 20W Twin Spotlight



### Description

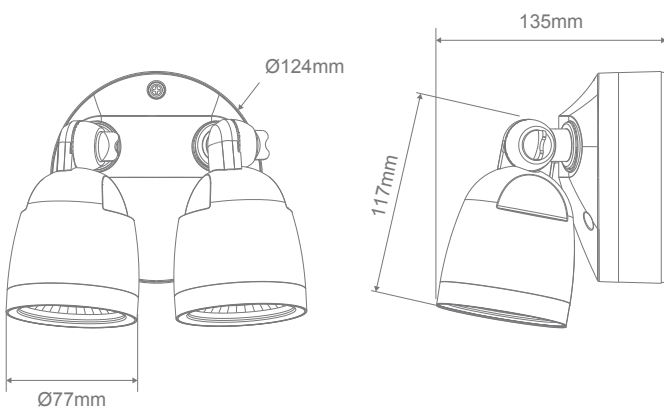
The MURO-ECO LED Security Spotlight Series provides a high brightness light output solution for outdoor lighting. Rated at IP65, and with a Polycarbonate construction, the MURO-ECO can brave the elements while providing you with a consistent wash of LED light over your favourite outdoor areas as well as coastal areas. The MURO-ECO features a fast installation backplate with male/female plug and slimline sensor, enabling detection and automatic power-up of this super bright LED spotlight. Choose from 3000K/4000K/5000K colour temperature output of the spotlight with a dip switch at the back of the fitting. Available in Black and White colour options with the choice of with or without sensor.



### Specification Features

Input Voltage:	240V
Power (W):	20W
IP rating (IP):	IP65
Lumens (lm):	Warm White 3000K - 2000lm Neutral White 4000K - 2100lm White 5000K - 2000lm
LED type:	COB
CCT:	3000K - 4000K - 5000K (Switchable)
CRI:	≥90
Beam angle (°):	100°
Dimmable:	No
Lifespan (hrs):	30,000hrs
Material:	Polycarbonate

### Diagrams / Additional



Item No.	Variant		CCT
	Wht	Blk	
MURO-ECO-20	25075	25074	TRIO