

Last modification

2023-04-29

## MORTON TL-GD+CRM

9329501051320



The Moran pendant will add elegance and style to your living space. This linear suspension is simple and striking, with just right mix of mouth blown glass globes positioned around the central body. Available as an extra long horizontal 14 light or a vertical 3 light pendant. 3 color combinations.

### Overview

<b>Family name</b>	Morton
<b>Categories</b>	Table Lamps
<b>This item includes</b>	Shade
<b>Shade Shape</b>	Drum Tapered
<b>Switch</b>	Inline Switch
<b>Usage</b>	Indoor Lighting

### Color / Material

<b>Fixture Color</b>	Black, Gold, Cream
<b>Fixture Material</b>	Fabric, Ceramic
<b>Shade Color</b>	Cream
<b>Shade Material</b>	Fabric, Plastic
<b>Base Color</b>	Black, Gold
<b>Base Material</b>	Ceramic
<b>Cable Color</b>	Black
<b>Cable Material</b>	PVC

### Size

<b>Fixture Diameter (cm)</b>	40.5
<b>Fixture Height (cm)</b>	68.5
<b>Cable Length (cm)</b>	180 (30+Inline Switch+150)

### Specification

<b>Voltage Input</b>	240V
<b>Wattage (max)</b>	25
<b>Globe Type</b>	E27
<b>Globe / Light Source qty</b>	1

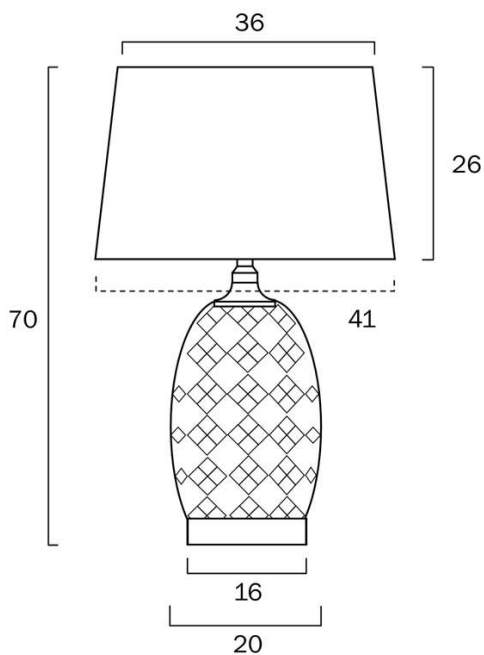
All representations within this document are subject to copyright. ELECTRICAL INSTALLATIONS MUST BE PERFORMED BY A QUALIFIED ELECTRICAL CONTRACTOR AND INSTALLED IN ACCORDANCE WITH AS/NZS 3000.  
NOTE : All images , descriptions and dimensions are indicative. Please check latest version of item detail on Telbix website prior to ordering or installation.

<b>Globe / Light Source included</b>	No
<b>Dimmable</b>	Globe Dependant
<b>Electrical Protection</b>	CLASS II - DOUBLE INSULATED, EARTH NOT REQUIRED
<b>IP rating</b>	IP20
<b>Lead and Plug</b>	Yes
<b>Approvals</b>	RCM
<b>Box Contents</b>	Instruction
<b>Care Instructions</b>	Do not use strong liquid cleaners, Wipe clean with a dry cloth
<b>Replacement Warranty</b>	*Clearance item 1 year warranty

## Barcode

**GTIN** 9329501051320

## Image -dimensions







46 [www.telbix.com](http://www.telbix.com)