

MODULA SQR Inground Light



Description

The MODULA luminaire provides a practical solution for all inground lighting applications including pathways, driveways, courtyards and decks. Utilising a solid aluminium CNC machined external fascia plate in anodised Titanium finish coupled with a 6063 graded aluminium body in a black anodised finish.

The MODULA recessed inground luminaire utilises the latest in Citizen COB technology offering unsurpassed performance and optical lighting control. A polycarbonate housing is provided for concrete applications. The MODULA is a fantastic addition when used as a source for tree up lighting or external fascia, garden walls.



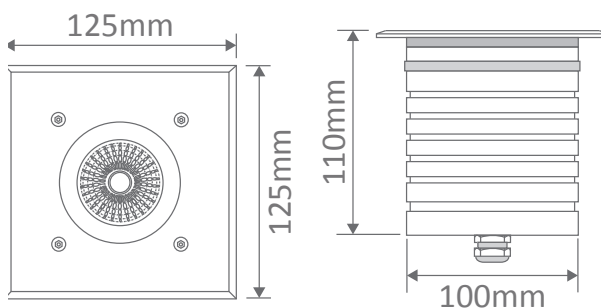
Specification Features

Input Voltage: 24V DC*
 Power (W): 9W
 IP rating (IP): 65
 Lumens (lm): Warm White 3000K - 900lm
 White 5000K - 950lm
 LED type: Citizen COB
 CCT: 3000K - 5000K
 CRI: ≥83
 Beam angle (°): 45°
 Dimmable: No
 Lifespan (hrs): 50,000hrs
 Cutout (∅): ∅105mm

*Requires 24V DC Constant Voltage LED Driver - Wire in Parallel.



Diagrams / Additional



Cutout: ∅110mm

Item No.	Variant	Colour
MODULA-SQR	19422	3000K
	19423	5000K