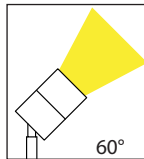
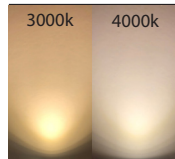


Mini Tivah Graphite Garden Spike Spot Light



Product Specifications

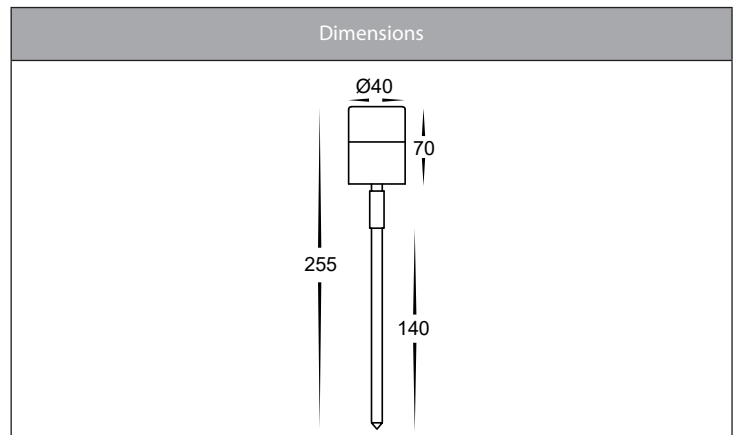
Name	Mini Tivah
Material	Solid Brass
Colour	Graphite
IP Rating	IP65
Installation Type	Ground - Spike
Lamp Base	MR11
Max Wattage	1x 20w MR11
Protection Class	3 (No Earth Required)
Lamp Expectancy	<30,000hrs
Diffuser Type	Clear Glass
Cable Length	1000mm
CRI	CRI>80
Dimmable	No - Not with supplied globes
IK Rating	IK08
Warranty	3 Years Replacement*



i Solid Brass and Solid Copper fittings will naturally tarnish, Solid brass fittings with additional coatings (Antique Brass & Graphite) may tarnish through the coating when installed in outdoor environments

Optional Havit Compatible Accessories

Image	Part Number	Colour Temp	Input Voltage	Beam Angle	Included LED
	HV9311C	5500k	12v DC	60°	3w MR11 LED
	12v DC LED Drivers	See Catalogue or Website for full range of 12v DC LED Drivers			
	HV9911	Small IP67 Weatherproof Connector			
	HV9912	Medium IP67 Weatherproof Connector			
	HV9913	Large IP67 Weatherproof Connector			



Product Ordering

Part Number	Colour Temp	Lumens	Input Voltage	Beam Angle	Included LED	Barcode
HV1426NW-GPH	3000k 4000k	270lm 300lm	12v DC	60°	3w 3000k MR11 LED 3w 4000k MR11 LED	9350418027672

*Items ordered after 01-01-2022

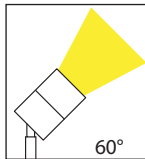
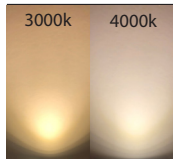


Mini Tivah Antique Brass Garden Spike Spot Light



Product Specifications

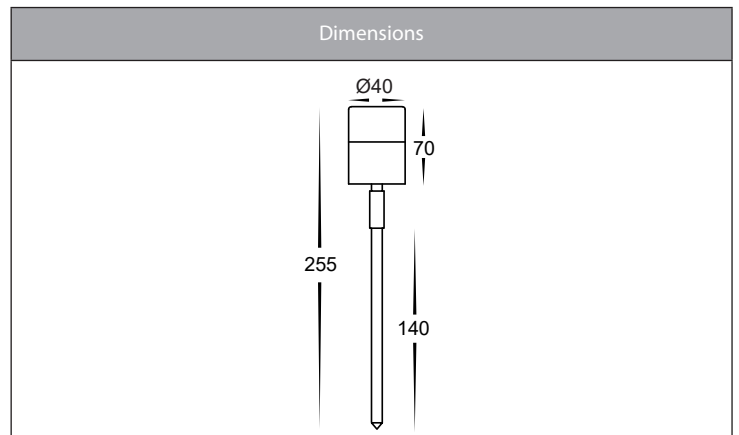
Name	Mini Tivah
Material	Solid Brass
Colour	Antique Brass
IP Rating	IP65
Installation Type	Ground - Spike
Lamp Base	MR11
Max Wattage	1x 20w MR11
Protection Class	3 (No Earth Required)
Lamp Expectancy	<30,000hrs
Diffuser Type	Clear Glass
Cable Length	1000mm
CRI	CRI>80
Dimmable	No - Not with supplied globes
IK Rating	IK08
Warranty	3 Years Replacement*



i Solid Brass and Solid Copper fittings will naturally tarnish. Solid brass fittings with additional coatings (Antique Brass & Graphite) may tarnish through the coating when installed in outdoor environments

Optional Havit Compatible Accessories

Image	Part Number	Colour Temp	Input Voltage	Beam Angle	Included LED
	HV9311C	5500k	12v DC	60°	3w MR11 LED
	12v DC LED Drivers	See Catalogue or Website for full range of 12v DC LED Drivers			
	HV9911	Small IP67 Weatherproof Connector			
	HV9912	Medium IP67 Weatherproof Connector			
	HV9913	Large IP67 Weatherproof Connector			



Product Ordering

Part Number	Colour Temp	Lumens	Input Voltage	Beam Angle	Included LED	Barcode
HV1426NW-AB	3000k 4000k	270lm 300lm	12v DC	60°	3w 3000k MR11 LED 3w 4000k MR11 LED	9350418027689

*Items ordered after 01-01-2022

