

Last modification 2022-11-05

**MAXIMO TL-BKSM**  
**9329501061077**



Marble is the ultimate luxury material, and if combined with pure glass, and a nordic design flair, the result is the MAXIMO table lamp. This characteristic mix of materials will grab the attention and focus for any furnishing environment.

## Overview

<b>Family name</b>	Maximo
<b>Categories</b>	Table Lamps
<b>This item includes</b>	Glass
<b>Shade Shape</b>	Oval
<b>Switch</b>	Inline Switch
<b>Usage</b>	Indoor Lighting
<b>ERAC Product Registration</b>	SAA-210304-EA

## Color / Material

<b>Fixture Color</b>	Black Marble,Smoke
<b>Fixture Material</b>	Marble,Glass
<b>Shade Material</b>	Glass
<b>Base Color</b>	Black Marble
<b>Base Material</b>	Marble
<b>Glass Color</b>	Smoke
<b>Cable Color</b>	Black
<b>Cable Material</b>	PVC

## Size

<b>Fixture Diameter (cm)</b>	32.0
<b>Fixture Height (cm)</b>	40.0
<b>Base Diameter (cm)</b>	12.0
<b>Base Height (cm)</b>	20.0
<b>Glass Diameter</b>	32.00
<b>Cable Length (cm)</b>	180 (30+Inline Switch+150)

## Specification

<b>Voltage Input</b>	240V
----------------------	------

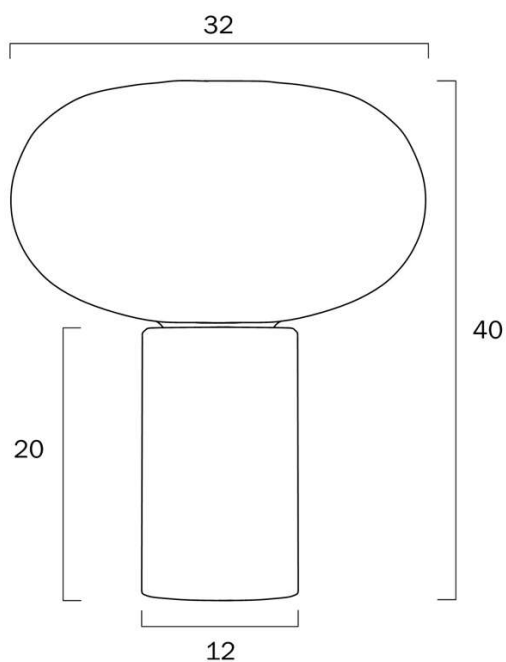
All representations within this document are subject to copyright. ELECTRICAL INSTALLATIONS MUST BE PERFORMED BY A QUALIFIED ELECTRICAL CONTRACTOR AND INSTALLED IN ACCORDANCE WITH AS/NZS 3000.  
NOTE : All images , descriptions and dimensions are indicative. Please check latest version of item detail on Telbix website prior to ordering or installation.

<b>Wattage (max)</b>	25
<b>Globe Type</b>	E27
<b>Globe / Light Source qty</b>	1
<b>Globe / Light Source included</b>	No
<b>Electrical Protection</b>	CLASS II - DOUBLE INSULATED, EARTH NOT REQUIRED
<b>IP rating</b>	IP20
<b>Lead and Plug</b>	Yes
<b>Approvals</b>	RCM
<b>Assembly Required</b>	Yes
<b>Box Contents</b>	Instruction
<b>Care Instructions</b>	Do not use strong liquid cleaners,Wipe clean with a dry cloth
<b>Replacement Warranty</b>	*3 Years

## Barcode

**GTIN** 9329501061077

## Image -dimensions





Last modification 2022-11-05

## MAXIMO TL-BKAM 9329501061060



Marble is the ultimate luxury material, and if combined with pure glass, and a nordic design flair, the result is the MAXIMO table lamp. This characteristic mix of materials will grab the attention and focus for any furnishing environment.

### Overview

<b>Family name</b>	Maximo
<b>Categories</b>	Table Lamps
<b>This item includes</b>	Glass
<b>Shade Shape</b>	Oval
<b>Switch</b>	Inline Switch
<b>Usage</b>	Indoor Lighting
<b>ERAC Product Registration</b>	SAA-210304-EA

### Color / Material

<b>Fixture Color</b>	Black Marble,Amber
<b>Fixture Material</b>	Marble,Glass
<b>Shade Material</b>	Glass
<b>Base Color</b>	Black Marble
<b>Base Material</b>	Marble
<b>Glass Color</b>	Amber
<b>Cable Color</b>	Black
<b>Cable Material</b>	PVC

### Size

<b>Fixture Diameter (cm)</b>	32.0
<b>Fixture Height (cm)</b>	40.0
<b>Base Diameter (cm)</b>	12.0
<b>Base Height (cm)</b>	20.0
<b>Glass Diameter</b>	32.00
<b>Cable Length (cm)</b>	180 (30+Inline Switch+150)

### Specification

<b>Voltage Input</b>	240V
----------------------	------

All representations within this document are subject to copyright.ELECTRICAL INSTALLATIONS MUST BE PERFORMED BY A QUALIFIED ELECTRICAL CONTRACTOR AND INSTALLED IN ACCORDANCE WITH AS/NZS 3000.  
NOTE : All images , descriptions and dimensions are indicative. Please check latest version of item detail on Telbix website prior to ordering or installation.

<b>Wattage (max)</b>	25
<b>Globe Type</b>	E27
<b>Globe / Light Source qty</b>	1
<b>Globe / Light Source included</b>	No
<b>Electrical Protection</b>	CLASS II - DOUBLE INSULATED, EARTH NOT REQUIRED
<b>IP rating</b>	IP20
<b>Lead and Plug</b>	Yes
<b>Approvals</b>	RCM
<b>Assembly Required</b>	Yes
<b>Box Contents</b>	Instruction
<b>Care Instructions</b>	Do not use strong liquid cleaners,Wipe clean with a dry cloth
<b>Replacement Warranty</b>	*3 Years

## Barcode

**GTIN** 9329501061060

## Image -dimensions

