

## MAX-75-UD 1M LED Suspended Profile



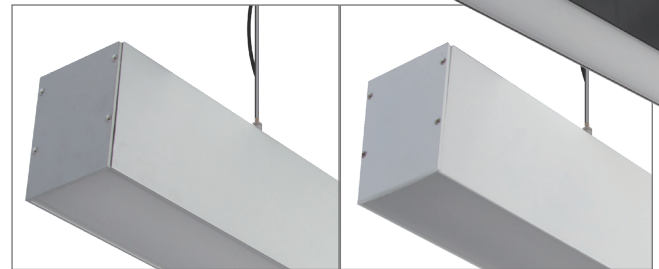
### Description

The MAX-75 Down suspension pendant is designed to suit commercial and residential applications, this profile system incorporates an extruded aluminium body with flat PMMA diffuser, and Osram Led boards. The system offers many additional options such as Dali dimming and emergency upon request.



### Specification Features

Input Voltage:	240V
Power (W):	34.6W/Per Metre
IP rating (IP):	20
Lumens (lm):	Warm White 3000K - 2x2466lm Neutral White 4000K - 2x2600lm
LED type:	Osram LED Boards
CCT:	3000K - 4000K
CRI:	≥80
Beam angle (°):	120°
Dimmable:	No**
Lifespan (hrs):	50,000hrs
Installation:	Suspended Mounted
Material:	Extruded 6063 aluminium
Finish:	Clear anodised, black or white powder coat finish
Diffuser:	Flat high output opal-frost
Length:	Sold per metre*
Size (mm)	Profile (W) 75mm x (H) 95mm
Available Upon Request:	<ul style="list-style-type: none"> <li>High Output LED Boards</li> <li>Intergrated Emergency</li> </ul>



Aluminium Finish

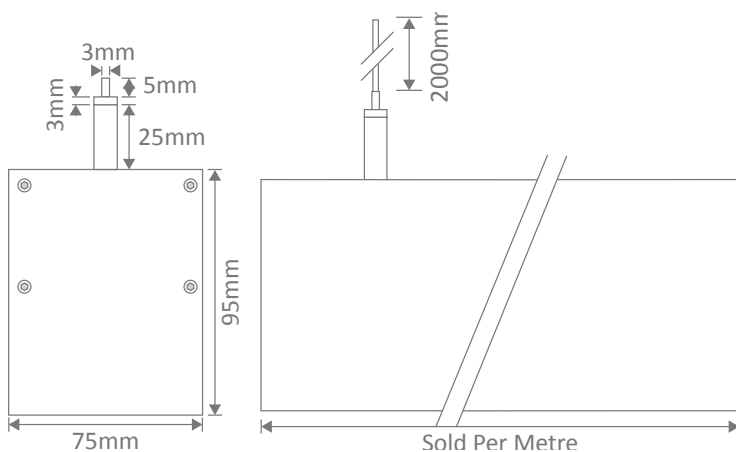
White Finish



Back View

*Note: This product is made to order and may have a lead time.*  
\* Profile can be cut to any length required.  
\*\* Dali and 0-10V dimming available upon request

### Diagrams / Additional



Item No.	Variant			CCT
	Blk	Wht	Alu	
MAX-75-UD	22388	22392	22384	3000K
	22389	22393	22385	4000K
	<b>Dali</b>			
	22638	22642	22634	3000K
	22639	22643	22635	4000K
	<b>0-10V</b>			
	22640	22644	22636	3000K
	22641	22645	22637	4000K