

## MAX-50-DN 1M LED Suspended Profile



### Description

The Max-50 Down suspension pendant is designed to suit commercial and residential applications, this profile system incorporates an extruded aluminium body with flat PMMA diffuser, and Osram Led boards. The system offers many additional options such as Dali dimming and emergency upon request.

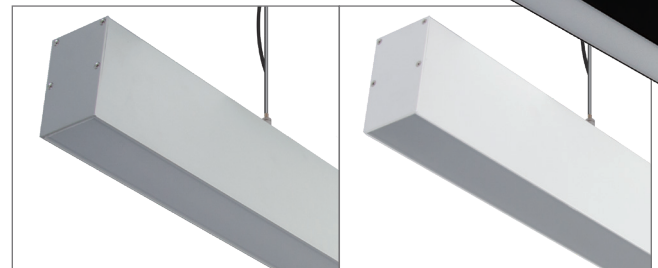
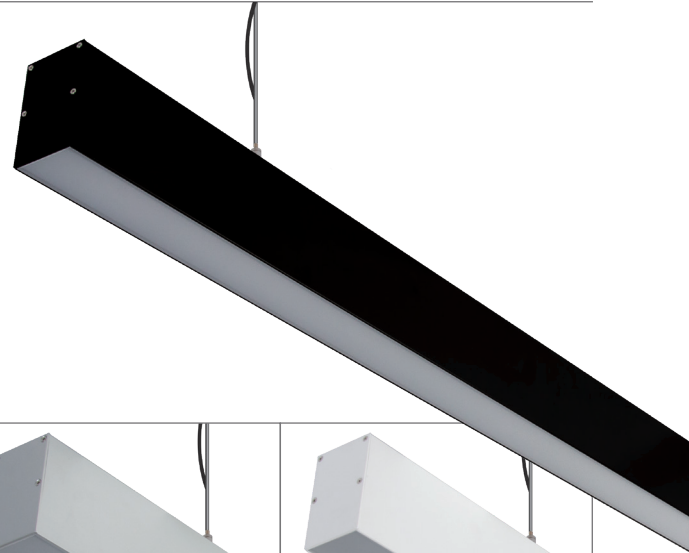
### Specification Features

Input Voltage:	240V
Power (W):	17.3W/Per Metre
IP rating (IP):	20
Lumens (lm):	Warm White 3000K - 2466lm Neutral White 4000K - 2600lm
LED type:	Osram LED Boards
CCT:	3000K - 4000K
CRI:	≥80
Beam angle (°):	120°
Dimmable:	No**
Lifespan (hrs):	50,000hrs
Installation:	Suspended mounted
Material:	Extruded 6063 aluminium
Finish:	Clear anodised, black or white powder coat finish
Diffuser:	Flat high output opal-frost
Length:	Sold per metre*
Size (mm)	Profile (W) 50mm x (H) 75mm
Available Upon Request:	<ul style="list-style-type: none"> <li>• High Output LED Boards</li> <li>• Intergrated Emergency</li> </ul>

*Note: This product is made to order and may have a lead time.*

\* Profile can be cut to any length required.

\*\* Dali and 0-10V dimming available upon request



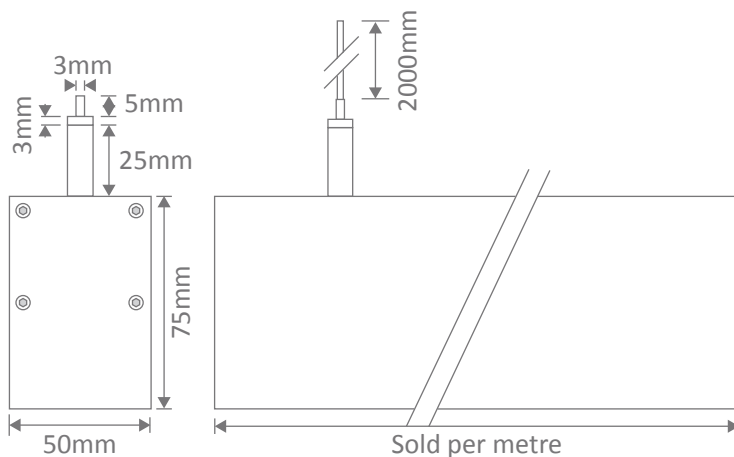
Aluminium Finish

White Finish



Back View

### Diagrams / Additional



Item No.	Variant			CCT
	Blk	Wht	Alu	
MAX-50-DN	22328	22332	22324	3000K
	22329	22333	22325	4000K
	<b>Dali</b>			
	22578	22582	22574	3000K
	22579	22583	22575	4000K
	<b>0-10V</b>			
	22580	22584	22576	3000K
	22581	22585	22577	4000K