

Last modification

2022-11-05

MARVIN PE1R-BKGD

9329501059401



The MARVIN 1 pendant is oval opposing shapes framing the recommended old school pilot LED globes. The shapes are fixed to a long cylinder and suspended by cable. The ceiling canopy is round with contrasting bright metal discs.

Overview

Family name	Marvin
Categories	Pendants
Mounting	Surface
This item includes	Suspension
Suspension Type	Cable
Usage	Indoor Lighting

Color / Material

Fixture Color	Black,Gold
Fixture Material	Metal
Canopy Color	Black,Gold
Cable Color	Black
Cable Material	PVC

Size

Fixture Diameter (cm)	20.0
Fixture Height (cm)	38.0
Canopy Diameter (cm)	10.0
Canopy Projection (cm)	2.5
Suspension Length (cm)	200.0

Specification

Voltage Input	240V
Wattage (max)	25
Globe Type	E27
Globe / Light Source qty	1
Globe / Light Source included	No
Electrical Protection	CLASS I - HIGH VOLTAGE, EARTH REQUIRED

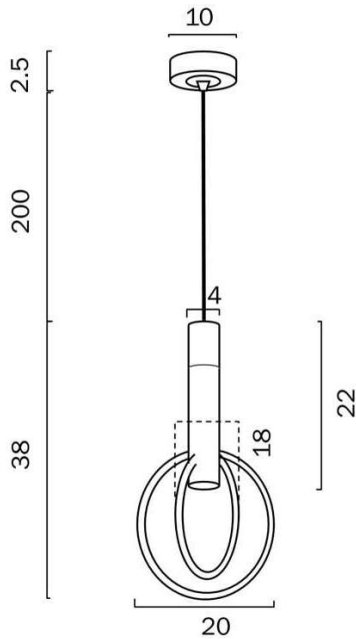
All representations within this document are subject to copyright. ELECTRICAL INSTALLATIONS MUST BE PERFORMED BY A QUALIFIED ELECTRICAL CONTRACTOR AND INSTALLED IN ACCORDANCE WITH AS/NZS 3000.
NOTE : All images , descriptions and dimensions are indicative. Please check latest version of item detail on Telbix website prior to ordering or installation.

IP rating	IP20
Approvals	RCM
Box Contents	Basic mounting screws, Instruction
Installation Required	Yes (by Licensed Electrician only)
Care Instructions	Do not use strong liquid cleaners, Wipe clean with a dry cloth
Replacement Warranty	*3 Years

Barcode

GTIN 9329501059401

Image -dimensions





Last modification 2022-11-05

MARVIN PE10-BKGD 9329501059388



The MARVIN 1 pendant is oval opposing shapes framing the recommended old school pilot LED globes. The shapes are fixed to a long cylinder and suspended by cable. The ceiling canopy is round with contrasting bright metal discs.

Overview

Family name	Marvin
Categories	Pendants
Mounting	Surface
This item includes	Suspension
Shade Shape	Oval
Suspension Type	Cable
Usage	Indoor Lighting

Color / Material

Fixture Color	Black,Gold
Fixture Material	Metal
Canopy Color	Black,Gold
Cable Color	Black
Cable Material	PVC

Size

Fixture Diameter (cm)	17.0
Fixture Height (cm)	46.0
Canopy Diameter (cm)	10.0
Canopy Projection (cm)	2.5

Specification

Voltage Input	240V
Wattage (max)	25
Globe Type	E27
Globe / Light Source qty	1
Globe / Light Source included	No
Electrical Protection	CLASS I - HIGH VOLTAGE, EARTH REQUIRED

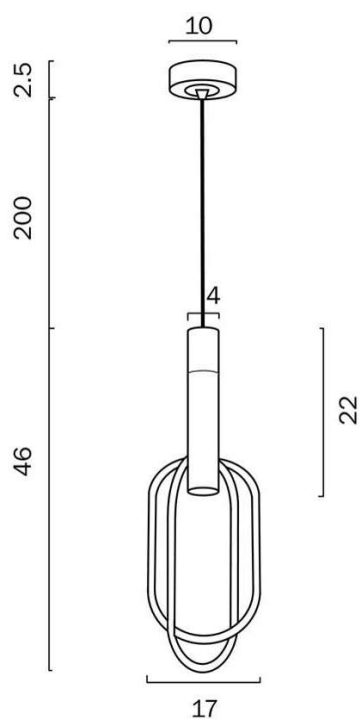
All representations within this document are subject to copyright. ELECTRICAL INSTALLATIONS MUST BE PERFORMED BY A QUALIFIED ELECTRICAL CONTRACTOR AND INSTALLED IN ACCORDANCE WITH AS/NZS 3000.
NOTE : All images , descriptions and dimensions are indicative. Please check latest version of item detail on Telbix website prior to ordering or installation.

IP rating	IP20
Approvals	RCM
Assembly Required	No
Box Contents	Basic mounting screws,Instruction
Installation Required	Yes (by Licensed Electrician only)
Care Instructions	Do not use strong liquid cleaners,Wipe clean with a dry cloth
Replacement Warranty	*3 Years

Barcode

GTIN 9329501059388

Image -dimensions





Last modification

2022-11-05

MARVIN PE1S-BKGD

9329501059395



The MARVIN 1 pendant is oval opposing shapes framing the recommended old school pilot LED globes. The shapes are fixed to a long cylinder and suspended by cable. The ceiling canopy is round with contrasting bright metal discs.

Overview

Family name	Marvin
Categories	Pendants
Mounting	Surface
This item includes	Suspension
Shade Shape	Square
Suspension Type	Cable
Usage	Indoor Lighting

Color / Material

Fixture Color	Black,Gold
Fixture Material	Metal
Canopy Color	Black,Gold
Cable Color	Black
Cable Material	PVC

Size

Fixture Diameter (cm)	12.0
Fixture Height (cm)	50.0
Canopy Diameter (cm)	10.0
Canopy Projection (cm)	2.5
Suspension Length (cm)	200.0

Specification

Voltage Input	240V
Wattage (max)	25
Globe Type	E27
Globe / Light Source qty	1
Globe / Light Source included	No

All representations within this document are subject to copyright. ELECTRICAL INSTALLATIONS MUST BE PERFORMED BY A QUALIFIED ELECTRICAL CONTRACTOR AND INSTALLED IN ACCORDANCE WITH AS/NZS 3000.
NOTE : All images , descriptions and dimensions are indicative. Please check latest version of item detail on Telbix website prior to ordering or installation.

Electrical Protection	CLASS I - HIGH VOLTAGE, EARTH REQUIRED
IP rating	IP20
Approvals	RCM
Assembly Required	No
Box Contents	Basic mounting screws, Instruction
Installation Required	Yes (by Licensed Electrician only)
Care Instructions	Do not use strong liquid cleaners, Wipe clean with a dry cloth
Replacement Warranty	*3 Years

Barcode

GTIN 9329501059395

Image -dimensions

