

MARS-25 LED Track Light



Description

The Mars-25 LED Track Light Range is a high quality commercial grade 3 circuit track head ideal for product lighting in shops and displays. With a 90mm diameter cover and a moulded lamp housing made from powder-coated CNC Aluminium and using the latest LED COB Chip and Driver technology, the Mars series of LED Track Lighting from Domus Lighting offers you stable, flicker-free, low-glare lighting for all your commercial needs and all backed by a Domus 5 year warranty for extra peace of mind.

The Mars-25 LED Track Light features the following:

- 25W High Output CRI90+ Citizen COB Chip available in 3000K or 4000K CCT
- Changeable optical reflectors to 12° or 24° (optional) - 36° is standard.
- Available in a high quality powder coated textured white or black finish
- Available with optional honeycomb diffuser for extra low-glare applications.

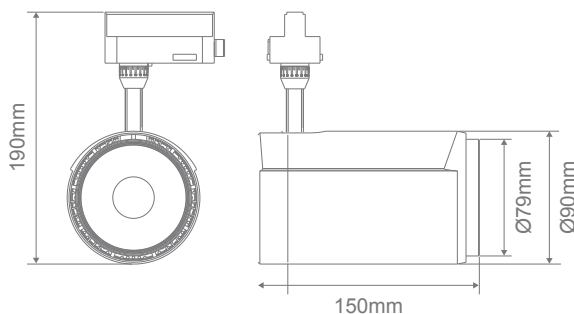
Specification Features

Input Voltage:	240V AC
Power (W):	25W
IP rating (IP):	20
Lumens (lm):	Warm White 3000K - 2180lm Neutral White 4000K - 2420lm
LED type:	COB (Citizen)
CCT:	3000K - 4000K
CRI:	≥90
Beam angle (°):	36°
Dimmable:	No
Lifespan (hrs):	50,000hrs
Connection Type:	3 Phase



Honeycomb

Diagrams / Additional



Item No.	Variant		Colour
	Black	White	
Mars-25-3-36D	22400	22402	3000K
	22401	22403	4000K

Item No.	Variant	Type	Colour
Mars-ACC	22278	Honeycomb	Black

Sold separately

Item No.	Variant	Degree
Mars-LEN	22276	12°
	22277	24°

Sold separately

MARS-25 LED Track Light



Description

The Mars-25 LED Track Light Range is a high quality commercial grade 3 circuit track head ideal for product lighting in shops and displays. With a 90mm diameter cover and a moulded lamp housing made from powder-coated CNC Aluminium and using the latest LED COB Chip and Driver technology, the Mars series of LED Track Lighting from Domus Lighting offers you stable, flicker-free, low-glare lighting for all your commercial needs and all backed by a Domus 5 year warranty for extra peace of mind.

The Mars-25 LED Track Light features the following:

- 25W High Output CRI90+ Citizen COB Chip available in 3000K or 4000K CCT
- Changeable optical reflectors to 12° or 24° (optional) - 36° is standard.
- Available in a high quality powder coated textured white or black finish
- Available with optional honeycomb diffuser for extra low-glare applications.

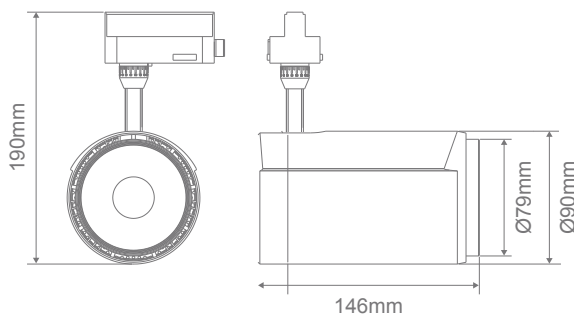
Specification Features

Input Voltage:	240V AC
Power (W):	25W
IP rating (IP):	20
Lumens (lm):	Warm White 3000K - 2180lm Neutral White 4000K - 2420lm
LED type:	COB (Citizen)
CCT:	3000K - 4000K
CRI:	≥90
Beam angle (°):	36°
Dimmable:	Yes
Lifespan (hrs):	50,000hrs
Connection Type:	3 Phase



Honeycomb

Diagrams / Additional



Item No.	Variant		Colour
	Black	White	
Mars-25-3-36D	22270	22273	3000K
	22271	22274	4000K

Item No.	Variant	Type	Colour
Mars-ACC	22278	Honeycomb	Black

Sold separately

Item No.	Variant	Degree
Mars-LEN	22276	12°
	22277	24°

Sold separately

MARS-35 LED Track Light



Description

The Mars-35 LED Track Light Range is a high quality commercial grade 3 circuit track head ideal for product lighting in shops and displays. With a 90mm diameter cover and a moulded lamp housing made from powder-coated CNC Aluminium and using the latest LED COB Chip and Driver technology, the Mars series of LED Track Lighting from Domus Lighting offers you stable, flicker-free, low-glare lighting for all your commercial needs and all backed by a Domus 5 year warranty for extra peace of mind.

The Mars-35 LED Track Light features the following:

- 35W High Output CRI90+ Citizen COB Chip available in 3000K or 4000K CCT
- Changeable optical reflectors to 12° or 24° (optional) - 36° is standard.
- Available in a high quality powder coated textured white or black finish
- Available with optional honeycomb diffuser for extra low-glare applications.

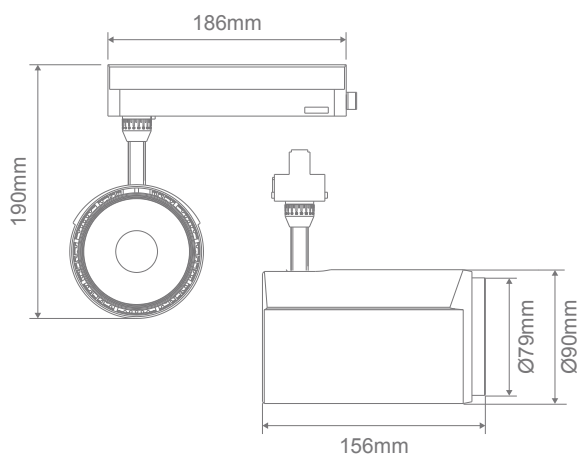
Specification Features

Input Voltage:	240V AC
Power (W):	35W
IP rating (IP):	20
Lumens (lm):	Warm White 3000K - 3020lm Neutral White 4000K - 3330lm
LED type:	COB (Citizen)
CCT:	3000K - 4000K
CRI:	≥90
Beam angle (°):	36° (12° or 24° optional)
Dimmable:	Yes
Lifespan (hrs):	50,000hrs
Connection Type:	3 Phase



Honeycomb

Diagrams / Additional



Item No.	Variant		Colour
	Black	White	
Mars-35-3-36D	22280	22 284	3000K
	22281	22285	4000K

Item No.	Variant	Type	Colour
Mars-ACC	22278	Honeycomb	Black

Sold separately

Item No.	Variant	Degree
Mars-LEN	22276	12°
	22277	24°

Sold separately

MARS-35 LED Track Light



Description

The Mars-35 LED Track Light Range is a high quality commercial grade 3 circuit track head ideal for product lighting in shops and displays. With a 90mm diameter cover and a moulded lamp housing made from powder-coated CNC Aluminium and using the latest LED COB Chip and Driver technology, the Mars series of LED Track Lighting from Domus Lighting offers you stable, flicker-free, low-glare lighting for all your commercial needs and all backed by a Domus 5 year warranty for extra peace of mind.

The Mars-35 LED Track Light features the following:

- 35W High Output CRI90+ Citizen COB Chip available in 3000K or 4000K CCT
- Changeable optical reflectors to 12° or 24° (optional) - 36° is standard.
- Available in a high quality powder coated textured white or black finish
- Available with optional honeycomb diffuser for extra low-glare applications.

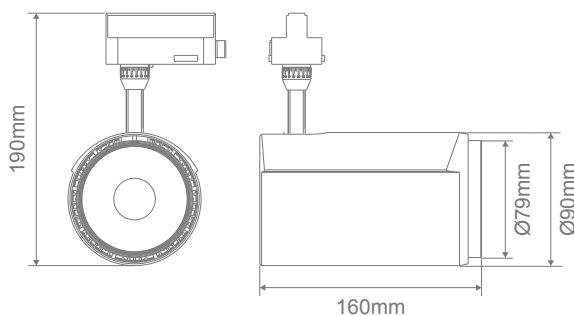
Specification Features

Input Voltage:	240V AC
Power (W):	35W
IP rating (IP):	20
Lumens (lm):	Warm White 3000K - 3020lm Neutral White 4000K - 3330lm
LED type:	COB (Citizen)
CCT:	3000K - 4000K
CRI:	≥90
Beam angle (°):	36° (12° or 24° optional)
Dimmable:	No
Lifespan (hrs):	50,000hrs
Connection Type:	3 Phase



Honeycomb

Diagrams / Additional



Item No.	Variant		Colour
	Black	White	
Mars-35-3-36D	22404	22406	3000K
	22405	22407	4000K

Item No.	Variant	Type	Colour
Mars-ACC	22278	Honeycomb	Black

Sold separately

Item No.	Variant	Degree
Mars-LEN	22276	12°
	22277	24°

Sold separately