

# RAZOR 16M



LYNK



BLACK MODEL  
AVAILABLE

## FEATURES

- **16M** - 200 x 100 mm decal size
- Single and double sided decals
- Fully compliant (**AS/NZS 2293**)
- Rod / surface / suspended or wall mounted
- Works as Single Point Units (**SPU**) out of the box
- High Quality Lithium batteries (**LiFePO<sub>4</sub>**) and smart charger
- **Wireless mesh** built on IEC62386-104 over Thread



### WIRELESS MESH

Automatically test and sync data to the Cloud



### C0:D20, C90:C25

Emergency classification



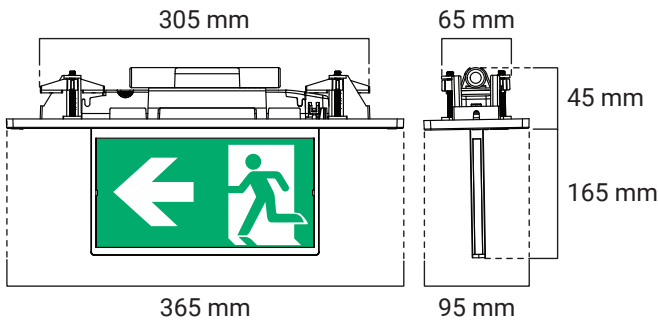
### COMPLIANT

To Australian and international safety & performance standards



### SELF TEST

Commission the product to perform its own tests



## PRODUCT RANGE LYNK

ORDER CODE	PRODUCT NUMBER	SKU	QTY
<b>EV-RAZOR-16M-PRO-LK</b> Lynk Razor Professional Recessed Emergency Slimblade Exit, 16M - w/wireless	9336462180662	18066	4
<b>EV-RAZOR-16M-PRO-B-LK</b> Lynk Razor Professional Recessed Emergency Slimblade Exit, 16M, Black - w/wireless	9336462180679	18067	4

### GENERAL FEATURES

- **Wireless** meshing system
- Single and double sided decals
- Soft-start charger to reduce building load
- Available in low illumination area black model
- Fast emergency switch-over (<0.5s) for high-task areas

### BUILT TO LAST

- Long life electronics
- 10 Years Design Life – 100,000 hours at max. ambient
- High Quality Lithium battery (LiFePO<sub>4</sub>) and smart charger

### SUITABLE INSTALLATION TYPES (OUT OF THE BOX)

- IEC62386 over IEC62386-104
- Wireless monitoring
- Self test (AS2293/ IEC62034)

## ACCESSORY RANGE

ORDER CODE	DESCRIPTION
<b>EV-RAZOR-16M-RM-DECAL</b>	Razor Decal Pack 1xright, 1xleft and 1xstraight
<b>EV-RAZOR-LED-FIRE-SM-KIT</b>	Surface Mount Kit
<b>EV-RAZOR-LED-FIRE-SM-KIT-B</b>	Surface Mount Kit, black
<b>EV-RODMOUNT-WHT</b>	Rod mount, incl. bracket for roof /body
<b>EV-RODMOUNT-BLACK</b>	Rod mount, incl. bracket for roof /body, black
<b>EV-1500MAH-6.4V-LIFEPO4</b>	1500MAH 6.4V 2 Cell LiFePO <sub>4</sub> Battery
<b>EV-WIREDBYCLICK-2.4M-F&amp;P</b>	Wire By Click 5-Pin Lead L1025/5, 2.4M
<b>EV-WIELAND-2.4M-F&amp;P</b>	Wieland Plug GST1815S B1 ZR1 S PB02, 2.4M
<b>EV-CMS-2.4M-5PIN</b>	CMS 5 Pin Plug Set, 2.4M
<b>EV-WAGO-2.4M-F&amp;P</b>	WAGO Plug 5-P Blue 51110475, 2.4M
<b>EV-CMS-2.4M-6PIN</b>	CMS 6 Pin Plug Set, 2.4M

## OPERATIONAL INFORMATION

### GENERAL

Voltage	240V~ 50Hz
Ambient temp.	0 to 40°C
Class	2
IP rating	IP20
Wiring	Terminal block (1-16 mm $\square$ )
Mounting type	Recessed (rod / surface / suspended accessories)
Wireless	IEC62386-104 over Thread
Lamp power	0.55W

### EMERGENCY

Emergency lamp power	0.75W
Rated duration	90 / 120 min (1 / 3 / 4 / 8 hours, selectable)
Classification	C0:C40, C90:C32 (2hr) (white model only)

### BATTERY

Type	LiFePO <sub>4</sub>	Type	Smart charge
Voltage	6.4 V	Time	16 Hours
Codes	01302	Operation	Multi-state

### CONSTRUCTION

Viewing distance	16M	Decal size	200 × 100 mm
Cut-out	305 x 65 mm	Diffuser	Acrylic
Body	PC	Gear tray	PC
Weight	0.85 kg net / 5.6 gross		

### COMPLIANCE

Standards	AS/NZS 60598.2.22 AS/NZS 60598.2.2 (IC-4 rated) AS/NZS 2293.3 IEC 60598-2-22	IEC 62386-104 IEC 62386-102 IEC 62386-202 IEC 62034 CISPR 15
-----------	---	--

**NOTE:** For more information on the chemical resistance of our polycarbonate or our compliance documentation, please see our website.

## TOTAL POWER CONSUMPTION (TPC)

MAINTAINED MODE	
MAX.	AVG.
3.55 W	1.75 W

**NOTE:** Average power consumption calculated with the assumption of four emergency events per year and that the battery charger is in standby at all other times (above typical usage).

ektor.com.au  
**E: sales@evolt.com.au**  
**P: 1300 4EVOLT (438 658)**

**evolt**  
 the electrical evolution

Ektor is dedicated to continuous product improvement. Datasheet is subject to change without notice, E&OE. Images are for illustrative purposes only.

# RAZOR 16M



PROFESSIONAL



BLACK MODEL  
AVAILABLE

## FEATURES

- **16M** - 200 x 100 mm decal size
- Single and double sided decals
- Fully compliant (**AS/NZS 2293**)
- Rod / surface / suspended or wall mounted
- Works as Single Point Units (**SPU**) out of the box
- High Quality Lithium batteries (**LiFePO<sub>4</sub>**) and smart charger



**C0:C40, C90:C32**  
Emergency  
classification



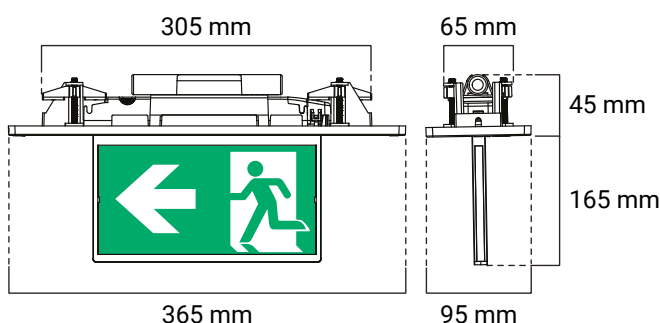
**SELF TEST**  
Commission the product  
to perform its own tests



**DALI CERTIFIED**  
Connect to a DALI  
system for DALI testing



**ECO FRIENDLY**  
Using a High Quality  
Lithium battery (LiFePO<sub>4</sub>)



## PRODUCT RANGE

ORDER CODE	PRODUCT NUMBER	SKU	QTY
------------	----------------	-----	-----

<b>EV-RAZOR-16M</b> Slimblade Recessed Emergency Exit	9336462026847	02684	4
--	---------------	-------	---

<b>EV-RAZOR-16M-B</b> Black Slimblade Recessed Emergency Exit	9336462026854	02685	4
--	---------------	-------	---

### GENERAL FEATURES

- Single and double sided decals
- Soft-start charger to reduce building load
- Available in low illumination area black model
- Fast emergency switch-over (<0.5s) for high-task areas

### BUILT TO LAST

- Long life electronics
- 10 Years Design Life – 100,000 hours at max. ambient
- High Quality Lithium battery (LiFePO<sub>4</sub>) and smart charger

### SUITABLE INSTALLATION TYPES (OUT OF THE BOX)

- Standalone (SPU)
- Self test (AS2293/IEC62034)
- DALI (IEC62386)
- Ektor wired monitored system

## ACCESSORY RANGE

ORDER CODE	DESCRIPTION
------------	-------------

<b>EV-RAZOR-16M-RM-DECAL</b>	Razor Decal Pack 1xright, 1xleft and 1xstraight
------------------------------	---

<b>EV-RAZOR-LED-FIRE-SM-KIT</b>	Surface Mount Kit
---------------------------------	-------------------

<b>EV-RAZOR-LED-FIRE-SM-KIT-B</b>	Surface Mount Kit, black
-----------------------------------	--------------------------

<b>EV-RODMOUNT-WHT</b>	Rod mount, incl. bracket for roof /body
------------------------	---

<b>EV-RODMOUNT-BLACK</b>	Rod mount, incl. bracket for roof /body, black
--------------------------	--

<b>EV-1500MAH-6.4V-LIFEPO4</b>	1500mAh 6.4V 2 Cell LiFePO <sub>4</sub> Battery
--------------------------------	---

<b>EV-WIREDBYCLICK-2.4M-F&amp;P</b>	Wire By Click 5-Pin Lead L1025/5, 2.4M
-------------------------------------	--

<b>EV-WIELAND-2.4M-F&amp;P</b>	Wieland Plug GST1815S B1 ZR1 S PB02, 2.4M
--------------------------------	---

<b>EV-CMS-2.4M-5PIN</b>	CMS 5 Pin Plug Set, 2.4M
-------------------------	--------------------------

<b>EV-WAGO-2.4M-F&amp;P</b>	WAGO Plug 5-P Blue 51110475, 2.4M
-----------------------------	-----------------------------------

<b>EV-CMS-2.4M-6PIN</b>	CMS 6 Pin Plug Set, 2.4M
-------------------------	--------------------------

## OPERATIONAL INFORMATION

### GENERAL

<b>Voltage</b>	240V~ 50Hz
<b>Ambient temp.</b>	0 to 40°C
<b>Class</b>	2
<b>IP rating</b>	IP20
<b>Wiring</b>	Terminal block (1-16 mm $\square$ )
<b>Mounting type</b>	Recessed (rod / surface / suspended accessories)
<b>Lamp power</b>	0.55W

### EMERGENCY

<b>Emergency lamp power</b>	0.75W
<b>Rated duration</b>	90 / 120 min (1 / 3 / 4 / 8 hours, selectable)
<b>Classification</b>	C0:C40, C90:C32 (2hr) (white model only)

### BATTERY

BATTERY		CHARGE	
<b>Type</b>	LiFePO <sub>4</sub>	<b>Type</b>	Smart charge
<b>Voltage</b>	6.4 V	<b>Time</b>	16 Hours
<b>Codes</b>	01302	<b>Operation</b>	Multi-state

### CONSTRUCTION

<b>Viewing distance</b>	16M	<b>Decal size</b>	200 x 100 mm
<b>Cut-out</b>	305 x 65 mm	<b>Diffuser</b>	Acrylic
<b>Body</b>	PC	<b>Gear tray</b>	PC
<b>Weight</b>	0.85 kg net / 5.6 gross		

### COMPLIANCE

<b>Standards</b>	AS/NZS 60598.2.22	IEC 62386-102
	AS/NZS 60598.2.2 (IC-4 rated)	IEC 62386-202
	AS/NZS 2293.3	IEC 62034
	IEC 60598-2-22	CISPR 15

**NOTE:** For more information on the chemical resistance of our polycarbonate or our compliance documentation, please see our website.

## TOTAL POWER CONSUMPTION (TPC)

MAINTAINED MODE	
MAX.	AVG.
3.55 W	1.75 W

**NOTE:** Average power consumption calculated with the assumption of four emergency events per year and that the battery charger is in standby at all other times (above typical usage).