

PEARL IP65 PRO



LYNK



FEATURES

- Power monitoring (**DT51**)
- Fully compliant (**AS/NZS 2293**)
- Corridor mode function available
- Commission the product to perform self-tests
- Emergency and non-emergency models available
- High Quality Lithium batteries (**LiFePO₄**) and smart charger
- Automate tests, sync data to the Cloud with a **Wireless upgrade**
- **Wireless mesh** built on IEC62386-104 over Thread



WIRELESS MESH

Automatically test and sync data to the Cloud



TUNEABLE WHITE

Tuneable white (DT8-Tc) controlled by DALI



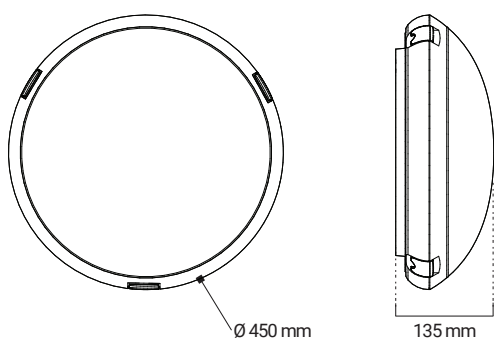
SENSOR

Microwave sensor with corridor function



DIMMABLE

Flicker-free dimming controlled by DALI



PRODUCT RANGE		LYNK	
ORDER CODE	PRODUCT NUMBER	SKU	QTY
EV-PEARL-PRO-LK Lynk Pearl Circular IP65 Professional - w/wireless	9336462181409	18140	4
EV-PEARL-PRO-S-LK Lynk Pearl Circular IP65 Professional - w/sensor - w/wireless	9336462181416	18141	4
EV-PEARL-EM-PRO-WP-LK Lynk Pearl Circular IP65 Professional Emergency Luminaire - w/wireless	9336462181423	18142	4
EV-PEARL-EM-PRO-WP-S-LK Lynk Pearl Circular IP65 Professional Emergency Luminaire - w/sensor - w/wireless	9336462181430	18143	4

GENERAL FEATURES

- **Wireless** meshing system
- IP65 weatherproof rating
- Vandal-proof IK08 rating
- Power monitoring (DT51)
- Tuneable white (DT8-Tc) controlled by DALI
- Flicker-free dimming controlled by DALI
- Emergency and non-emergency models

EMERGENCY MODELS (-EM)

- Fully compliant (AS/NZS 2293.3)
- Soft-start charger to reduce building load
- High Quality Lithium battery (LiFePO₄) and smart charger

SENSOR MODELS (-S)

- Microwave sensor suitable for DALI-2 supporting IEC 62386-303
- Light level sensor suitable for DALI-2 supporting IEC 62386-304
- IR remote controllable, custom configurations
- Corridor mode function in standalone operation

BUILT TO LAST

- Long life electronics
- 10 Years Design Life – 100,000 hours at max. ambient

SUITABLE INSTALLATION TYPES (OUT OF THE BOX)

- IEC62386 over IEC62386-104
- Wireless monitoring
- Self test (AS2293/ IEC62034)

OPERATIONAL INFORMATION

GENERAL

Voltage	240V~ 50Hz		
Ambient temp.	0 to 40°C		
Class	2		
Mounting type	Surface		
IP rating	IP65	IK rating	IK08
Wiring	Terminal block (1-16 mm □)		
Wireless	IEC62386-104 over Thread		
Lamp power	25 W	Lumens	2500lm
Colour Temp.	3000 K to 6000 K		

EMERGENCY

Em. lamp power	1.5 W		
Rated duration	90 / 120 min	Classification	D32

BATTERY

BATTERY		CHARGE	
Type	LiFePO ₄	Type	Smart charge
Voltage	6.4 V	Time	16 Hours
Codes	01302	Operation	Multi-state

CONSTRUCTION

Body	PC	Diffuser	PC
Gear tray	Powder coated steel		

COMPLIANCE

Standards	AS/NZS 60598.2.22	IEC 62386-104	IEC 62386-252
	AS/NZS 2293.3	IEC 62386-102	IEC 62386-103
	IEC 60598-2-22	IEC 62386-202	IEC 62386-303
	IEC 62034	IEC 62386-207	IEC 62386-304
	CISPR 15	IEC 62386-209	

NOTE: For more information on the chemical resistance of our polycarbonate or our compliance documentation, please see our website.

ACCESSORY RANGE

ORDER CODE	DESCRIPTION
EV-1500MAH-6.4V-LIFEPO4	1500mAH 6.4V 2 Cell LiFePO ₄ Battery