

Last modification 2022-12-07

**LUC.G13-BK83-826**  
**9329501054239**



The LUC G series is a recessed single directional LED luminaire. The modern design is small and discreet but bright and can therefore optimally illuminate and set the scene for walkways, driveways, gardens, and terraces. The light of the internal LEDs is emitted indirectly through a single opening and provides glare-free orientation lighting. Can be recessed floor or wall-mounted. With an operating voltage of 8~26 volt and a water-protected rating of IP65, it is a versatile and safe lighting solution for outdoor areas. Other fixtures in the LUC series can be combined to form a complete outdoor space solution. A 12 or 24 volt AC transformer is recommended to power up this fixture.

## Overview

<b>Family name</b>	Luc
<b>Categories</b>	Inground Lights
<b>Mounting</b>	Recess
<b>Usage</b>	Outdoor Lighting,Trade Selection

## Color / Material

<b>Fixture Color</b>	Clear,Black
<b>Fixture Material</b>	Metal,Polycarbonate
<b>Diffuser Color</b>	Clear
<b>Diffuser Material</b>	Polycarbonate

## Size

<b>Fixture Diameter (cm)</b>	4.2
<b>Fixture Height (cm)</b>	8.5

## Specification

<b>Voltage Input</b>	12-24V
<b>Wattage (max)</b>	3
<b>Globe Type</b>	LED integrated COB
<b>Globe / Light Source qty</b>	1
<b>Globe / Light Source included</b>	Yes
<b>Lumens</b>	200
<b>Color Temperature</b>	Warm White

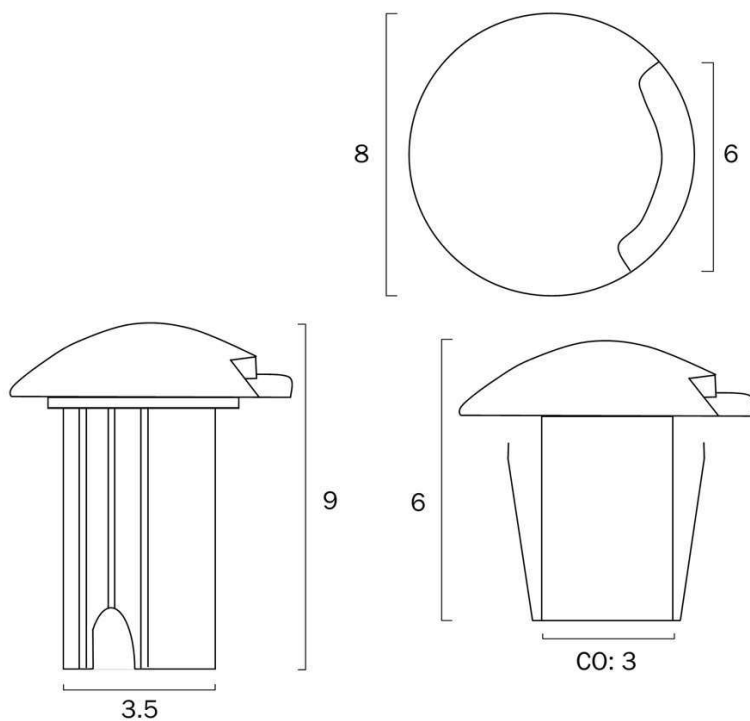
All representations within this document are subject to copyright. ELECTRICAL INSTALLATIONS MUST BE PERFORMED BY A QUALIFIED ELECTRICAL CONTRACTOR AND INSTALLED IN ACCORDANCE WITH AS/NZS 3000.  
NOTE : All images , descriptions and dimensions are indicative. Please check latest version of item detail on Telbix website prior to ordering or installation.

<b>Color Kelvin</b>	3000k
<b>Color Rendering</b>	>84
<b>Dimmable</b>	No
<b>Beam Angle (degree)</b>	172
<b>IP rating</b>	IP65
<b>Approvals</b>	RCM
<b>Box Contents</b>	Instruction
<b>Installation Required</b>	Yes (by Licensed Electrician only)
<b>Care Instructions</b>	Do not use strong liquid cleaners,Wipe clean with a dry cloth
<b>Replacement Warranty</b>	*3 Years

## Barcode

**GTIN** 9329501054239

## Image -dimensions



Note: Dimensions are only a guide and may vary due to manufacturing variations.



