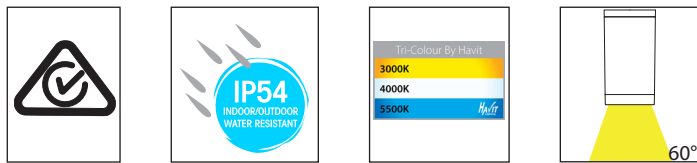


Lexan Polycarbonate Surface Mounted Downlights



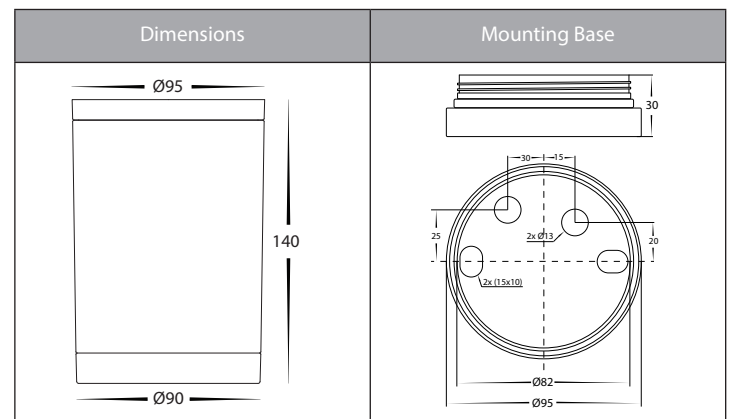
Product Specifications

Name	Lexan
Material	Polycarbonate
Colour	White or Black
IP Rating	IP54
Tilt	No
Installation Type	Ceiling - Surface Mounted
Lamp Base	GU10
Protection Class	2 (No Earth Required)
Max Wattage	35w
Lamp Expectancy	<30,000hrs
Diffuser Type	Plastic
CRI	CRI>80
Dimmable	Yes - Triac
IK Rating	IK07
Warranty	3 Years Replacement*



Optional Havit Compatible Accessories

Image	Part Number	Description
	HV9625	Triac Dimmer when used with Triac Dimmable Drivers



Product Ordering

Image	Part Number	Colour Temp	Lumens	Input Voltage	Beam Angle	Included LED	Barcode
	HV5832T-BLK	3000k 4000k 5500k	2x 240-560lm 2x 255-595lm 2x 270-630lm	240v AC	60°	TRI Colour 3/5/7w GU10 LED	9350418019417
	HV5832T-WHT	3000k 4000k 5500k	2x 240-560lm 2x 255-595lm 2x 270-630lm	240v AC	60°	TRI Colour 3/5/7w GU10 LED	9350418019424

*Items ordered after 01-01-2022

Havit Lighting
143 Beauchamp Road,
Matraville, N.S.W. 2036

Phone: 9381 8300
Email: sales@havit.com.au
Web: www.havit.com.au



Warranty Terms & Conditions



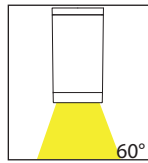
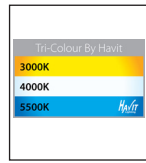
www.havit.com.au

Lexan Polycarbonate Surface Mounted Downlights



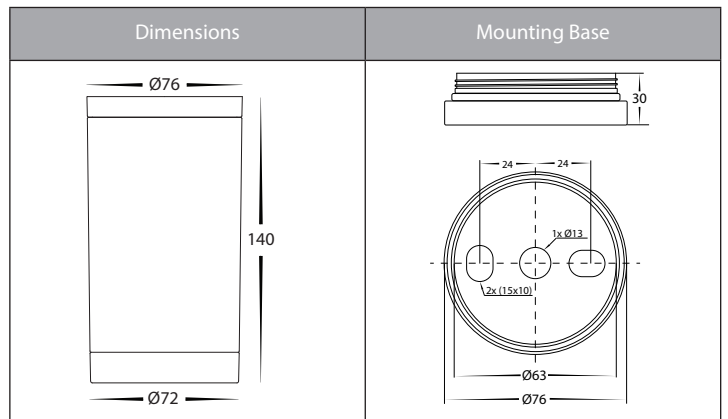
Product Specifications

Name	Lexan
Material	Polycarbonate
Colour	White or Black
IP Rating	IP54
Tilt	No
Installation Type	Ceiling - Surface Mounted
Lamp Base	GU10
Protection Class	2 (No Earth Required)
Max Wattage	35w
Lamp Expectancy	<30,000hrs
Diffuser Type	Plastic
CRI	CRI>80
Dimmable	Yes - Triac
IK Rating	IK07
Warranty	3 Years Replacement*



Optional Havit Compatible Accessories

Image	Part Number	Description
	HV9625	Triac Dimmer when used with Triac Dimmable Drivers



Product Ordering

Image	Part Number	Colour Temp	Lumens	Input Voltage	Beam Angle	Included LED	Barcode
	HV5831T-BLK	3000k 4000k 5500k	2x 240-560lm 2x 255-595lm 2x 270-630lm	240v AC	60°	TRI Colour 3/5/7w GU10 LED	9350418019394
	HV5831T-WHT	3000k 4000k 5500k	2x 240-560lm 2x 255-595lm 2x 270-630lm	240v AC	60°	TRI Colour 3/5/7w GU10 LED	9350418019400

*Items ordered after 01-01-2022

Havit Lighting
143 Beauchamp Road,
Matraville, N.S.W. 2036

Phone: 9381 8300
Email: sales@havit.com.au
Web: www.havit.com.au



Warranty Terms & Conditions



www.havit.com.au