

Last modification

2023-04-29

**JAMIE TL-BLWH**  
**9329501059647**



The Jamie table lamp is batik inspired, adding a heavy brush washed finish to the classic blue base. Totally hand glazed finished in lush indigo blue and topped with a tapered fabric shade.

## Overview

|                                  |                 |
|----------------------------------|-----------------|
| <b>Family name</b>               | Jamie           |
| <b>Categories</b>                | Table Lamps     |
| <b>This item includes</b>        | Shade           |
| <b>Shade Shape</b>               | Empire          |
| <b>Switch</b>                    | Inline Switch   |
| <b>Usage</b>                     | Indoor Lighting |
| <b>ERAC Product Registration</b> | E2021050423     |

## Color / Material

|                              |                 |
|------------------------------|-----------------|
| <b>Fixture Color</b>         | Blue, White     |
| <b>Fixture Pantone Color</b> | 281 CP          |
| <b>Fixture Material</b>      | Fabric, Ceramic |
| <b>Shade Color</b>           | White           |
| <b>Shade Material</b>        | Fabric, Plastic |
| <b>Base Color</b>            | Blue, White     |
| <b>Base Material</b>         | Ceramic         |
| <b>Cable Color</b>           | Black           |
| <b>Cable Material</b>        | PVC             |



## Size

|                              |      |
|------------------------------|------|
| <b>Fixture Diameter (cm)</b> | 41.0 |
| <b>Fixture Height (cm)</b>   | 61.0 |

All representations within this document are subject to copyright. ELECTRICAL INSTALLATIONS MUST BE PERFORMED BY A QUALIFIED ELECTRICAL CONTRACTOR AND INSTALLED IN ACCORDANCE WITH AS/NZS 3000.  
NOTE : All images , descriptions and dimensions are indicative. Please check latest version of item detail on Telbix website prior to ordering or installation.

|                           |                            |
|---------------------------|----------------------------|
| <b>Base Diameter (cm)</b> | 29.0                       |
| <b>Shade Top (cm)</b>     | 22.0                       |
| <b>Shade Bottom (cm)</b>  | 41.0                       |
| <b>Shade Height (cm)</b>  | 27.0                       |
| <b>Cable Length (cm)</b>  | 180 (30+Inline Switch+150) |

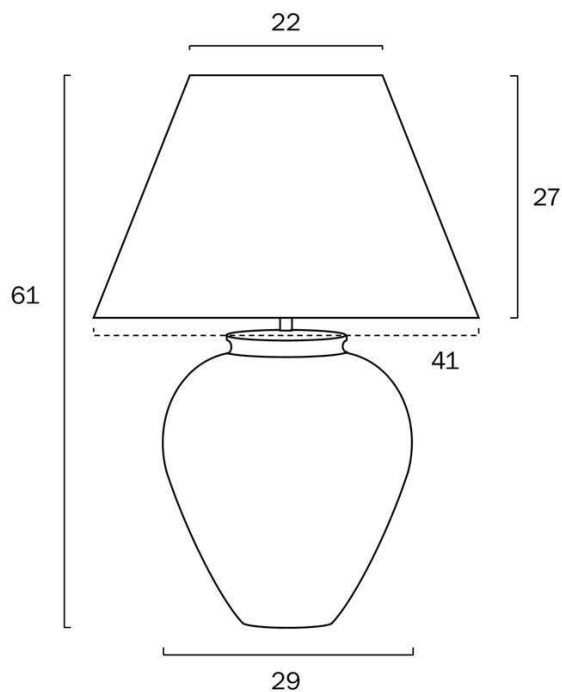
## Specification

|                                      |  |
|--------------------------------------|--|
| <b>Voltage Input</b>                 | 240V   |
| <b>Wattage (max)</b>                 | 25   |
| <b>Globe Type</b>                    | E27  |
| <b>Globe / Light Source qty</b>      | 1  |
| <b>Globe / Light Source included</b> | No   |
| <b>Dimmable</b>                      | Globe Dependant  |
| <b>Electrical Protection</b>         | CLASS II - DOUBLE INSULATED, EARTH NOT REQUIRED                |
| <b>IP rating</b>                     | IP20   |
| <b>Lead and Plug</b>                 | Yes  |
| <b>Approvals</b>                     | RCM  |
| <b>Assembly Required</b>             | Yes  |
| <b>Box Contents</b>                  | Instruction  |
| <b>Care Instructions</b>             | Do not use strong liquid cleaners, Wipe clean with a dry cloth |
| <b>Replacement Warranty</b>          | *3 Years   |

## Barcode

**GTIN** 9329501059647

## Image -dimensions



Note: Dimensions are only a guide and may vary due to manufacturing variations.

