

# Ezifit In-Wall Exhaust Fan



## CONTENTS & INSTALLATION INSTRUCTIONS

### Contents:

Ezifit Fan EIE150	1 off.
Installation Instruction	1 off.
Fixing screws kit	1 off.

### Also available on request:

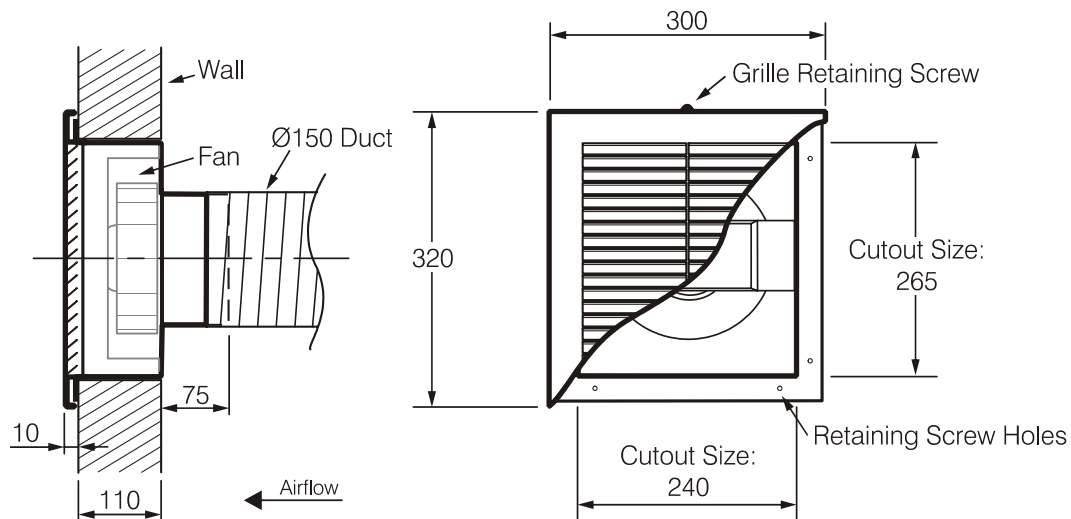
Flexible duct 150 dia. x 6m long  
Internal ceiling exhaust grille  
Duct Joiners  
Y Piece  
Three Speed Switch

### Part Number

DUCT150-6M  
RCG150  
JOINER150  
YP-150-150-150  
DSS1-16

### Inspection:

Ensure the unit has arrived in good condition and that the impeller will spin freely



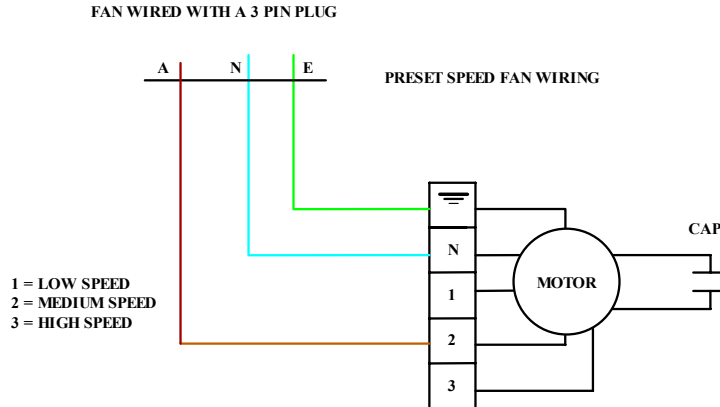
### Installation:

1. Installation of this product should be carried out by appropriately qualified persons.
2. Determine position of fan on wall.
3. Prepare opening in wall 265mm high x 240mm wide.
4. Remove grille from fan by un-doing the grille retaining screw.
5. Position the fan in the opening with the retaining screw hole uppermost.
6. Use fan for template to mark and drill holes for fasteners provided.
7. Plug fan lead into supply. Fan will require a switch to be wired to an accessible area for the fan operation.
8. Fix fan to wall with fasteners provided.
9. Test run the fan to ensure free rotation.
10. Refit grille and grille retaining screw.

## Electrical Connections:

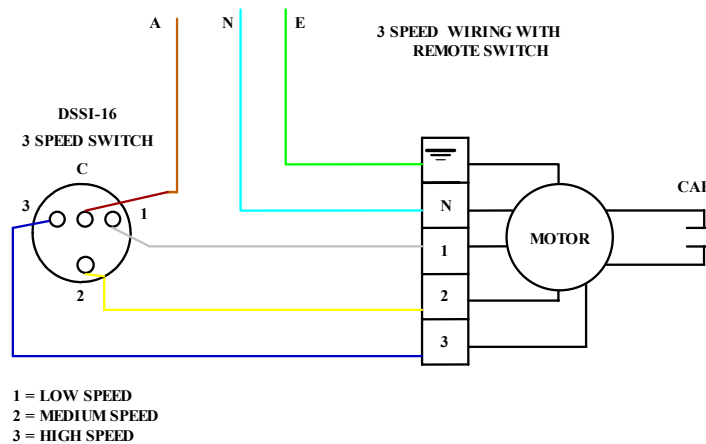
This product is designed to be wired by a qualified electrician.

The fan as supplied is set to the medium speed ( terminal 2 ).



To alter the speed remove the active wire on the flex side from the terminal 2 and insert into terminal 1 for low speed or terminal 3 for high speed. Refer diagram below. Under no circumstances connect the neutral wire to terminals E, 1, 2 or 3.

The fan may be run in 3 speed remote using the 3 speed switch (DSS1-16) by wiring as shown below.



## Safety Considerations:

1. All connections must be in accordance with any local regulations.
2. Changing the pre-set speed or connection to a remote three speed switch must be done by a qualified person.
3. The Licensed Electrical installer must ensure that an approved means of disconnection be incorporated into the fixed wiring.
4. This fan has an automatic thermal cut-out switch incorporated in the motor as standard.
5. This appliance is not intended for use by young children or infirm persons unless they have been adequately supervised by a responsible person to ensure that they can use the appliance safely.
6. Young children should be supervised to ensure that they do not play with the appliance.
7. For duct or partition mount, precautions must be taken to avoid the back-flow of gases into the room from the open flue of gas or other open-fire appliances.
8. If the supply cord is damaged it must be replaced by the manufacturer, its service agent or similarly qualified persons in order to avoid a hazard.

### WARRANTY:

- Fantech Pty Ltd warrants products of its manufacture when not misused or neglected to be free of defects in workmanship and/or materials. Our obligation under this warranty is limited to repairing or exchanging F.O.B. factory, any part, assembly or portion found to be defective within one year from the date of commissioning but not to exceed eighteen (18) months from date of shipment from our factory.
- The Company assumes no responsibility for labour costs involved in the removal of defective parts, installation of new parts or related service charges.
- The Company shall have the option of requiring the return of the defective part (transportation prepaid by the Buyer) to establish the claim.
- Warranty will be void if installation is not carried out by qualified personnel in accordance with these instructions and good trade practice.
- Fully detailed warranty conditions are contained in Fantech's Standard Conditions of Trading.