

Last modification 2022-12-04

ILLUME EX2-BK
9329501043905



Overview

Family name	Illume
Categories	Flood Lights
Mounting	Surface
Usage	Outdoor Lighting,Trade Selection

Color / Material

Fixture Color	Black
Fixture Material	Aluminium,Polycarbonate
Canopy Color	Black

Size

Fixture Length (cm)	22.5
Fixture Height (cm)	12.1
Fixture Projection (cm)	18.5
Base Diameter (cm)	12.1

Specification

Voltage Input	240V
Wattage (max)	20
Wattage	10
Globe Type	LED integrated SMD
Globe / Light Source qty	2
Globe / Light Source included	Yes
Color Temperature	Cool White
Color Kelvin	5000k
Color Rendering	>80
Dimmable	No
Power Factor	>0.90
Surge Protection	Yes (1.5 Kva)
IP rating	IP44
Lead and Plug	No
Approvals	RCM

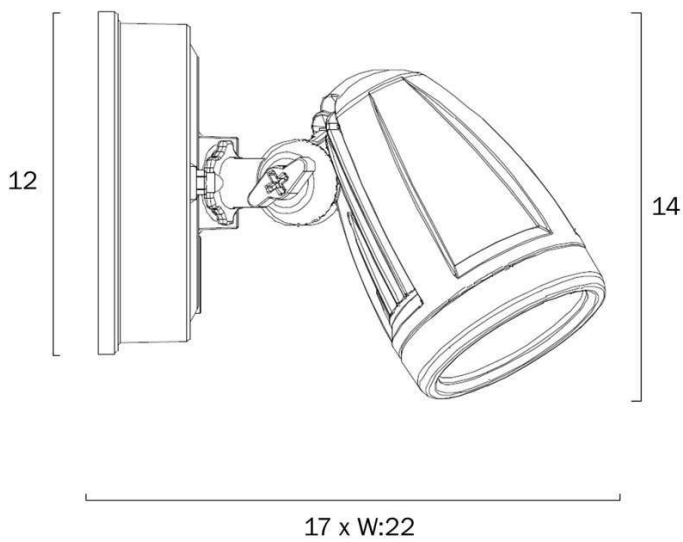
All representations within this document are subject to copyright.ELECTRICAL INSTALLATIONS MUST BE PERFORMED BY A QUALIFIED ELECTRICAL CONTRACTOR AND INSTALLED IN ACCORDANCE WITH AS/NZS 3000.
NOTE : All images , descriptions and dimensions are indicative. Please check latest version of item detail on Telbix website prior to ordering or installation.

Box Contents	Basic mounting screws,Instruction
Installation Required	Yes (by Licensed Electrician only)
Care Instructions	Do not use strong liquid cleaners,Wipe clean with a dry cloth
Replacement Warranty	*3 Years

Barcode

GTIN 9329501043905

Image -dimensions



Note: Dimensions are only a guide and may vary due to manufacturing variations.



Last modification 2022-12-04

ILLUME EX2-SL 9329501043912



Overview

Family name	Illume
Categories	Flood Lights
Mounting	Surface
Usage	Outdoor Lighting,Trade Selection

Color / Material

Fixture Color	Silver
Fixture Material	Aluminium,Polycarbonate
Canopy Color	Silver

Size

Fixture Length (cm)	22.5
Fixture Height (cm)	12.1
Fixture Projection (cm)	18.5
Base Diameter (cm)	12.1

Specification

Voltage Input	240V
Wattage (max)	20
Wattage	10
Globe Type	LED integrated SMD
Globe / Light Source qty	2
Globe / Light Source included	Yes
Color Temperature	Cool White
Color Kelvin	5000k
Color Rendering	>80
Dimmable	No
Power Factor	>0.90
Surge Protection	Yes (1.5 Kva)
IP rating	IP44
Lead and Plug	No
Approvals	RCM

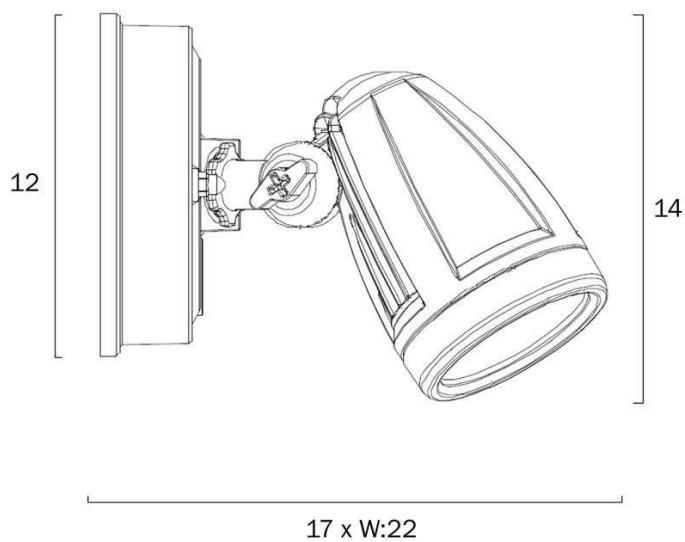
All representations within this document are subject to copyright.ELECTRICAL INSTALLATIONS MUST BE PERFORMED BY A QUALIFIED ELECTRICAL CONTRACTOR AND INSTALLED IN ACCORDANCE WITH AS/NZS 3000.
NOTE : All images , descriptions and dimensions are indicative. Please check latest version of item detail on Telbix website prior to ordering or installation.

Box Contents	Basic mounting screws, Instruction
Installation Required	Yes (by Licensed Electrician only)
Care Instructions	Do not use strong liquid cleaners, Wipe clean with a dry cloth
Replacement Warranty	*3 Years

Barcode

GTIN 9329501043912

Image -dimensions



Note: Dimensions are only a guide and may vary due to manufacturing variations.

