

Last modification 2023-09-24

ILLUME EX1-WH 9329501065525



The Illume Series Security Spotlight is a practical and functional lighting solution for enhancing the security of your home or business. With the option to choose from a spotlight with or without a movement sensor, the Illume Series offers customisable security lighting. The 270-degree swivelling feature allows for maximum coverage and versatility in positioning. The robust aluminium and polycarbonate construction provides durability and protection against the elements. The Illume Series Security Spotlight is a reliable and effective way to improve the safety and security of your property.

Overview

Family name	Illume
Categories	Flood Lights
Mounting	Surface
Usage	Outdoor Lighting, Trade Selection

Color / Material

Fixture Color	White
Fixture Material	Aluminium, Polycarbonate
Canopy Color	White

Size

Fixture Length (cm)	12.1
Fixture Height (cm)	23.5
Fixture Projection (cm)	16.7
Base Diameter (cm)	12.1

Specification

Voltage Input	240V
Total Wattage (max)	10
Globe Type	LED integrated SMD
Globe / Light Source qty	1
Globe / Light Source included	Yes
Lumens	800
Color Temperature	Cool White
Color Kelvin	5000k

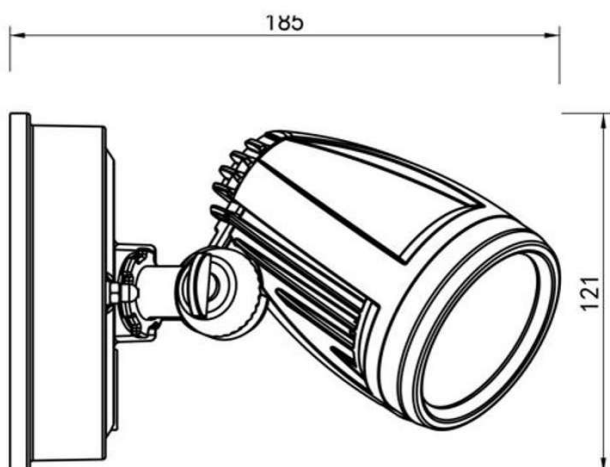
All representations within this document are subject to copyright. ELECTRICAL INSTALLATIONS MUST BE PERFORMED BY A QUALIFIED ELECTRICAL CONTRACTOR AND INSTALLED IN ACCORDANCE WITH AS/NZS 3000.
NOTE : All images , descriptions and dimensions are indicative. Please check latest version of item detail on Telbix website prior to ordering or installation.

Color Rendering	>80
Dimmable	No
Power Factor	>0.90
Surge Protection	Yes (1.5 Kva)
IP rating	IP44
Lead and Plug	No
Approvals	RCM
Box Contents	Basic mounting screws, Instruction
Installation Required	Yes (by Licensed Electrician only)
Care Instructions	Do not use strong liquid cleaners, Wipe clean with a dry cloth

Barcode

GTIN 9329501065525

Image -dimensions





Last modification 2022-12-04

ILLUME EX1-BK
9329501047361



Overview

Family name	Illume
Categories	Flood Lights
Mounting	Surface
Usage	Outdoor Lighting,Trade Selection

Color / Material

Fixture Color	Black
Fixture Material	Aluminium,Polycarbonate
Canopy Color	Black

Size

Fixture Length (cm)	12.1
Fixture Height (cm)	23.5
Fixture Projection (cm)	16.7
Base Diameter (cm)	12.1

Specification

Voltage Input	240V
Wattage (max)	10
Globe Type	LED integrated SMD
Globe / Light Source qty	1
Globe / Light Source included	Yes
Color Temperature	Cool White
Color Kelvin	5000k
Color Rendering	>80
Dimmable	No
Power Factor	>0.90
Surge Protection	Yes (1.5 Kva)
IP rating	IP44
Lead and Plug	No
Approvals	RCM
Box Contents	Basic mounting screws,Instruction

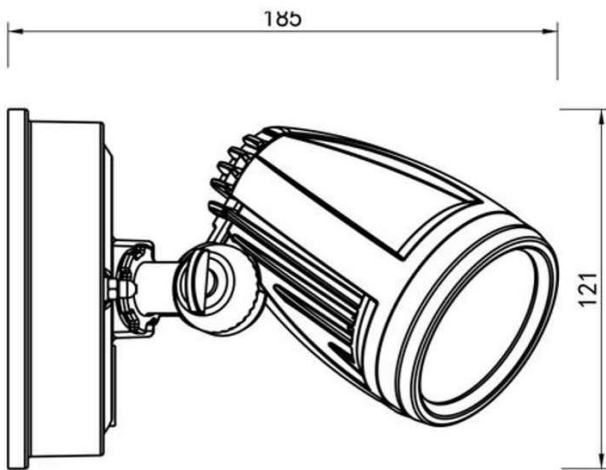
All representations within this document are subject to copyright.ELECTRICAL INSTALLATIONS MUST BE PERFORMED BY A QUALIFIED ELECTRICAL CONTRACTOR AND INSTALLED IN ACCORDANCE WITH AS/NZS 3000.
NOTE : All images , descriptions and dimensions are indicative. Please check latest version of item detail on Telbix website prior to ordering or installation.

Installation Required	Yes (by Licensed Electrician only)
Care Instructions	Do not use strong liquid cleaners,Wipe clean with a dry cloth
Replacement Warranty	*3 Years

Barcode

GTIN 9329501047361

Image -dimensions





Last modification 2022-12-04

ILLUME EX1-SL 9329501047378



Overview

Family name	Illume
Categories	Flood Lights
Mounting	Surface
Usage	Outdoor Lighting,Trade Selection

Color / Material

Fixture Color	Silver
Fixture Material	Aluminium,Polycarbonate
Canopy Color	Silver

Size

Fixture Length (cm)	12.1
Fixture Height (cm)	23.5
Fixture Projection (cm)	16.7
Base Diameter (cm)	12.1

Specification

Voltage Input	240V
Wattage (max)	10
Globe Type	LED integrated SMD
Globe / Light Source qty	1
Globe / Light Source included	Yes
Color Temperature	Cool White
Color Kelvin	5000k
Color Rendering	>80
Dimmable	No
Power Factor	>0.90
Surge Protection	Yes (1.5 Kva)
IP rating	IP44
Lead and Plug	No
Approvals	RCM
Box Contents	Basic mounting screws,Instruction

All representations within this document are subject to copyright.ELECTRICAL INSTALLATIONS MUST BE PERFORMED BY A QUALIFIED ELECTRICAL CONTRACTOR AND INSTALLED IN ACCORDANCE WITH AS/NZS 3000.
NOTE : All images , descriptions and dimensions are indicative. Please check latest version of item detail on Telbix website prior to ordering or installation.

Installation Required	Yes (by Licensed Electrician only)
Care Instructions	Do not use strong liquid cleaners,Wipe clean with a dry cloth
Replacement Warranty	*3 Years

Barcode

GTIN 9329501047378

Image -dimensions

