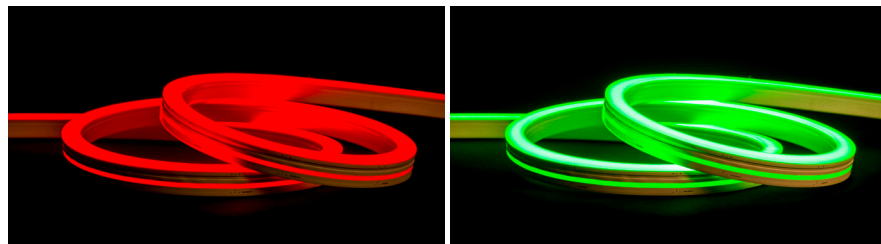
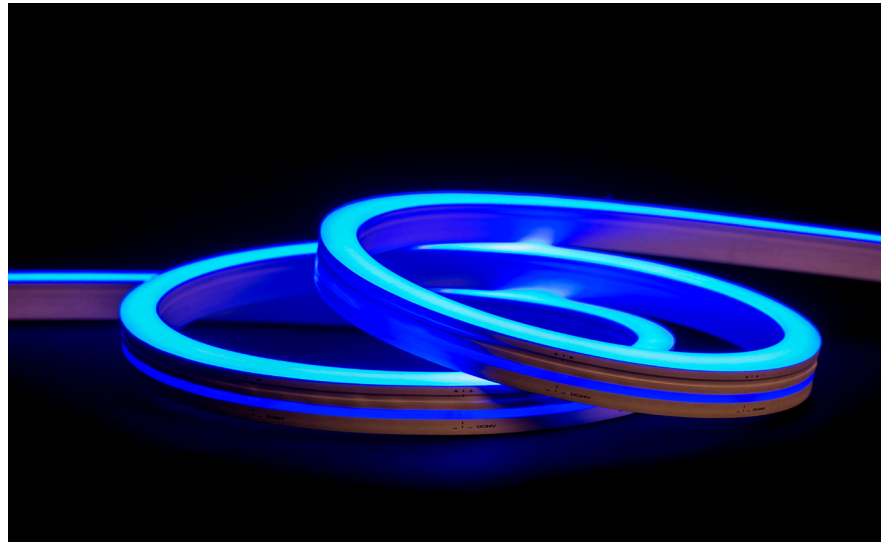


20w IP67 24v DC Side Bend Chasing RGB LED Strip

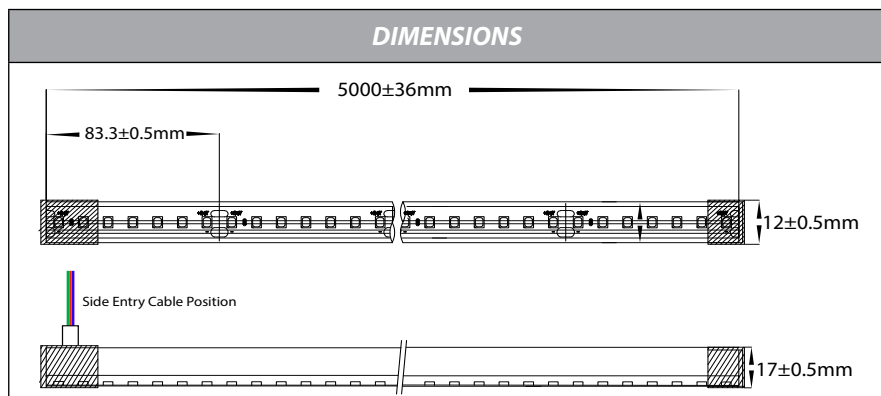


PRODUCT SPECIFICATIONS

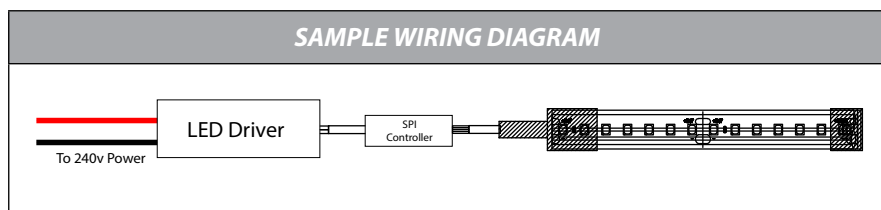
Name	HAVIFLEX
Watts Per Metre	20w
Input Voltage	24v DC
Colour Temp	RGB
Beam Angle	120°
IP Rating	IP67
Size	12mm (W) x 17mm (H)
PCB	3oz
CRI	>90
Wiring	Parallel
Dimmable	Yes
LED Chip Type	2835
No. Chips Per Metre	84
Lumens Per Metre	240lm
Maximum Length	5000mm
Cutting Increments	Every 83.3mm
Mounting	Aluminium Channel or Mounting Clips
Ambient Temperature	-20° to 50°
Operating Temperature	0° to 60°
Warranty	3 Years Replacement



DIMENSIONS



SAMPLE WIRING DIAGRAM



ACCESSORIES

IMAGE	PART NUMBER	DESCRIPTION
	HV9795-MC	Mounting Clip (H)15 x (W)14 x (L)25 4x Clips Supplied Per Metre
	HV9795-ALU	Aluminium Channel 1000mm Lengths Only
	HV9795-ALU-BEND	Bendable Channel Supplied as 2x 500mm
	HV9795-EC	Side Entry End Cap
	HV9795-F-CONNECTOR	Female Connector with DIY Plug
	HV9795-M-CONNECTOR	Male Connector with DIY Plug
	HV9795-T-CONNECTOR	T-Shape Connector with DIY Plugs

PRODUCT ORDERING

IMAGE	PART NUMBER
	HV9795-IP67-200-SPIRGB

For More Information Contact Havit Lighting

143 Beauchamp Road
Matraville NSW 2036
Australia

Tel: 02 9381 8300
Fax: 02 9666 8881
Email: sales@havit.com.au



Warranty Terms & Conditions



www.havit.com.au