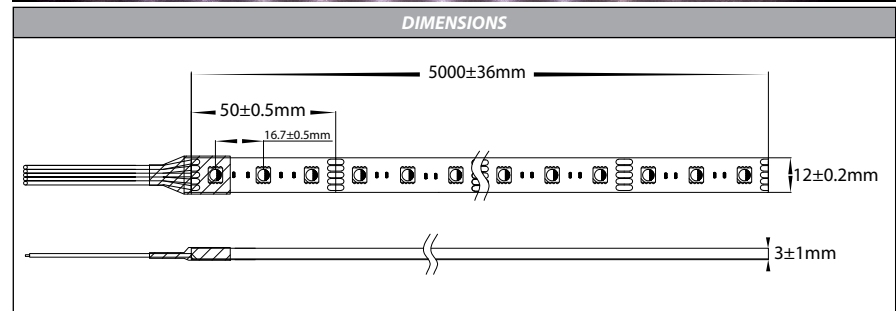
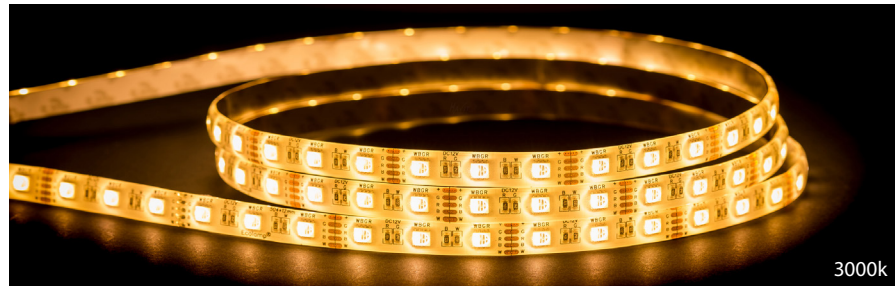


14.4w IP54 12v DC 60LED RGBC + RGBW LED Strip



Product Specifications

Watts Per Metre	14.4w
Input Voltage	12v DC
Colour Temp	RGBC or RGBW
Beam Angle	120°
IP Rating	IP54
Size	12mm (W) x 3mm (H)
PCB	3oz
CRI	>80
Lamp Expectancy	>50000hrs
Wiring	Parallel
Dimmable	Yes
LED Chip Type	5050
No. Chips Per Metre	60
Maximum Cut Length	5000mm
Cutting Increments	50mm
Mounting	Aluminium Profile or Heat Sink
Operating Temperature	0 - + 60° Celcius
Ambient Temperature	-20° - + 50° Celcius
Warranty	3 Years Replacement*



COMPATIBLE CONTROLLERS

Touch Panels	Remote Controllers	Zigbee	RF + WIFI
 HV9101-E4S HV9101-EX8S	 HV9102-M4+M4-5A HV9102-Q4	 HV9101-ZB-RGBWTP HV9102-ZB-RGBWREM	 HV9101-2820 HV9102-2819RGBW
 HV9103-F4-5A	 HV9103-F4-5A	 HV9105-ZB-5C	 HV9105-1009-5C

Product Ordering - Per Metre

Image	Part Number	Colour Temp	Lumens	Barcode
	HV9751-IP54-60-RGBC	RGBC (RGB + 5500K)	600lm	9350418024954
	HV9751-IP54-60-RGBW	RGBW (RGB + 3000K)	550lm	9350418024961

Product Ordering - 10m Reel

Image	Part Number	Colour Temp	Lumens	Barcode
	HV9751-IP54-60-RGBC-10M	RGBC (RGB + 5500K)	600lm	9350418031716
	HV9751-IP54-60-RGBW-10M	RGBW (RGB + 3000K)	550lm	9350418031723

*Ordered after 01-01-2022

For More Information Contact Havit Lighting

143 Beauchamp Road
Matraville NSW 2036
Australia

Tel: 02 9381 8300
Fax: 02 9666 8881
Email: sales@havit.com.au
Web: www.havit.com.au



Warranty Terms & Conditions



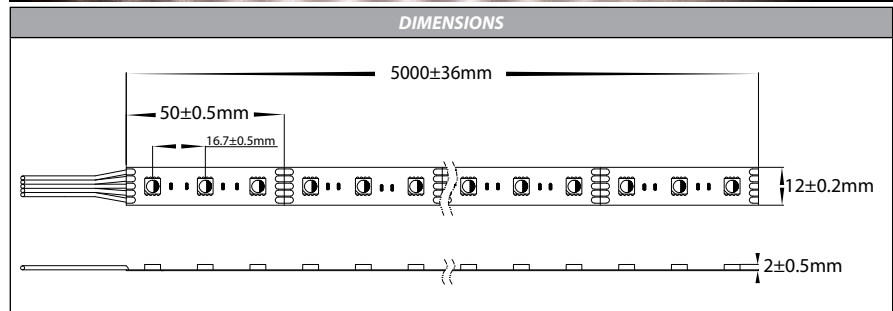
www.havit.com.au

14.4w IP20 12v DC 60LED RGBC + RGBW LED Strip



Product Specifications

Watts Per Metre	14.4w
Input Voltage	12v DC
Colour Temp	RGBC or RGBW
Beam Angle	120°
IP Rating	IP20
Size	12mm (W) x 2mm (H)
PCB	3oz
CRI	>80
Lamp Expectancy	>50000hrs
Wiring	Parallel
Dimmable	Yes
LED Chip Type	5050
No. Chips Per Metre	60
Maximum Cut Length	5000mm
Cutting Increments	50mm
Mounting	Aluminium Profile or Heat Sink
Operating Temperature	0 - + 60° Celcius
Ambient Temperature	-20° - + 50° Celcius
Warranty	3 Years Replacement*



COMPATIBLE CONTROLLERS

Touch Panels	Remote Controllers	Zigbee	RF + WIFI
 HV9101-E4S HV9101-EX8S	 HV9102-M4+M4-5A HV9102-Q4	 HV9101-ZB-RGBWTP HV9102-ZB-RGBWREM	 HV9101-2820 HV9102-2819RGBW
 HV9103-F4-5A	 HV9103-F4-5A	 HV9105-ZB-5C	 HV9105-1009-5C

Product Ordering - Per Metre

Image	Part Number	Colour Temp	Lumens	Barcode
	HV9751-IP20-60-RGBC	RGBC (RGB + 5500K)	600lm	9350418024947
	HV9751-IP20-60-RGBW	RGBW (RGB + 3000K)	550lm	9350418024954

Product Ordering - 30m Reel

Image	Part Number	Colour Temp	Lumens	Barcode
	HV9751-IP20-60-RGBC-30M	RGBC (RGB + 5500K)	600lm	9350418031693
	HV9751-IP20-60-RGBW-30M	RGBW (RGB + 3000K)	550lm	9350418031709

*Ordered after 01-01-2022

For More Information Contact Havit Lighting

143 Beauchamp Road
Matraville NSW 2036
Australia

Tel: 02 9381 8300
Fax: 02 9666 8881
Email: sales@havit.com.au
Web: www.havit.com.au



Warranty Terms & Conditions



www.havit.com.au