

4.8w IP20 24v DC 3000K Long Run LED Strip

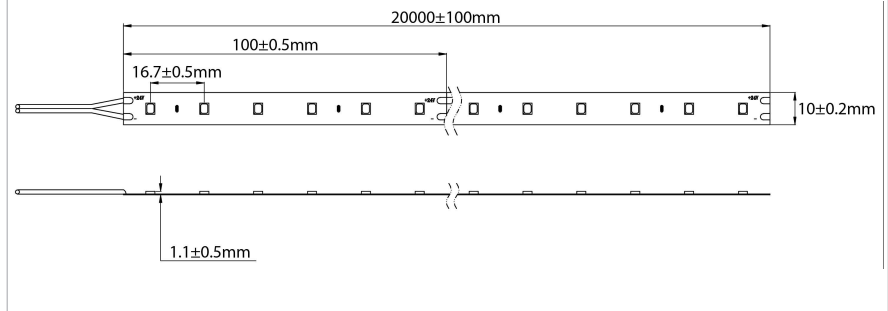


PRODUCT SPECIFICATIONS

- Watts Per Metre:** 4.8w
- Input Voltage:** 24v DC
- Colour Temp:** 3000k
- CRI:** >90
- Beam Angle:** 120°
- IP Rating:** IP20
- Size:** 10mm x 2mm
- PCB:** 3oz
- Dimmable:** Yes
- LED Chip Type:** 3040
- LED Chips Per Metre:** 60 LED'S
- Lumens Per Metre*:** 520lm
- Maximum Length:** 20000mm
- Cutting Increments:** Every 100mm
- Wiring:** Parallel
- Mounting:** Aluminium Profile or Heat Sink
- Warranty:** 2 Years Replacement**



DIMENSIONS



IP RATING



APPROVALS



Product Ordering

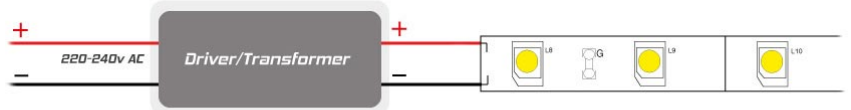
IMAGE

PART NUMBER



HV9741-IP20-60-3K

SAMPLE INSTALLATION DIAGRAM



Must be used with a suitable 24v DC LED Driver

* Lumens measured @ source

**See Warranty Terms and Conditions for more information

For more information contact Havit Lighting

ADDRESS:
143 Beauchamp Road
Matraville NSW 2036
Australia

Tel: 02 9381 8300
Fax: 02 9666 8881
Email: sales@havit.com.au
web: www.havit.com.au

4.8w IP20 24v DC 4000K Long Run LED Strip



PRODUCT SPECIFICATIONS

- Watts Per Metre:** 4.8w
- Input Voltage:** 24v DC
- Colour Temp:** 4000k
- CRI:** >90
- Beam Angle:** 120°
- IP Rating:** IP20
- Size:** 10mm x 2mm
- PCB:** 3oz
- Dimmable:** Yes
- LED Chip Type:** 3040
- LED Chips Per Metre:** 60 LED'S
- Lumens Per Metre*:** 550lm
- Maximum Length:** 20000mm
- Cutting Increments:** Every 100mm
- Wiring:** Parallel
- Mounting:** Aluminium Profile or Heat Sink
- Warranty:** 2 Years Replacement**



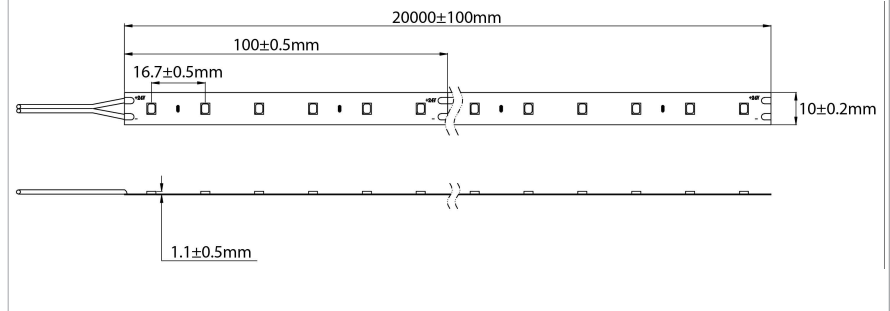
IP RATING



APPROVALS



DIMENSIONS



Product Ordering

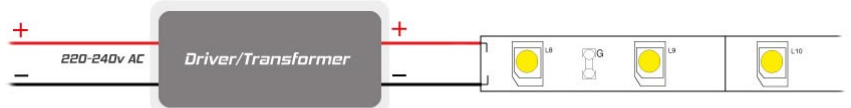
IMAGE

PART NUMBER



HV9741-IP20-60-4K

SAMPLE INSTALLATION DIAGRAM



Must be used with a suitable 24v DC LED Driver

* Lumens measured @ source

**See Warranty Terms and Conditions for more information

For more information contact Havit Lighting

ADDRESS:
143 Beauchamp Road
Matraville NSW 2036
Australia

Tel: 02 9381 8300
Fax: 02 9666 8881
Email: sales@havit.com.au
web: www.havit.com.au

4.8w IP20 24v DC 5500K Long Run LED Strip

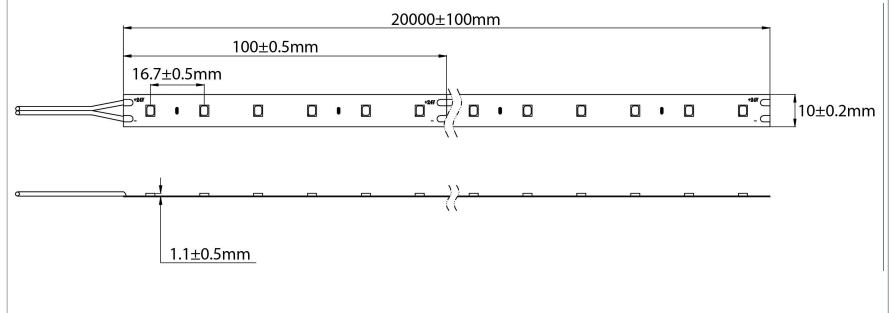


PRODUCT SPECIFICATIONS

- Watts Per Metre:** 4.8w
- Input Voltage:** 24v DC
- Colour Temp:** 5500k
- CRI:** >90
- Beam Angle:** 120°
- IP Rating:** IP20
- Size:** 10mm x 2mm
- PCB:** 3oz
- Dimmable:** Yes
- LED Chip Type:** 3040
- LED Chips Per Metre:** 60 LED'S
- Lumens Per Metre*:** 575lm
- Maximum Length:** 20000mm
- Cutting Increments:** Every 100mm
- Wiring:** Parallel
- Mounting:** Aluminium Profile or Heat Sink
- Warranty:** 2 Years Replacement**



DIMENSIONS



IP RATING



APPROVALS



Product Ordering

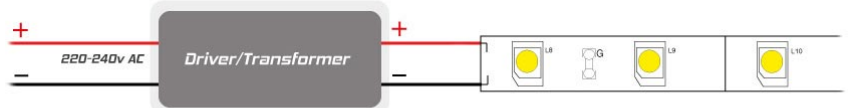
IMAGE

PART NUMBER



HV9741-IP20-60-5K

SAMPLE INSTALLATION DIAGRAM



Must be used with a suitable 24v DC LED Driver

* Lumens measured @ source

**See Warranty Terms and Conditions for more information

For more information contact Havit Lighting

ADDRESS:
143 Beauchamp Road
Matraville NSW 2036
Australia

Tel: 02 9381 8300
Fax: 02 9666 8881
Email: sales@havit.com.au
web: www.havit.com.au