

3w MR11 LED Globe

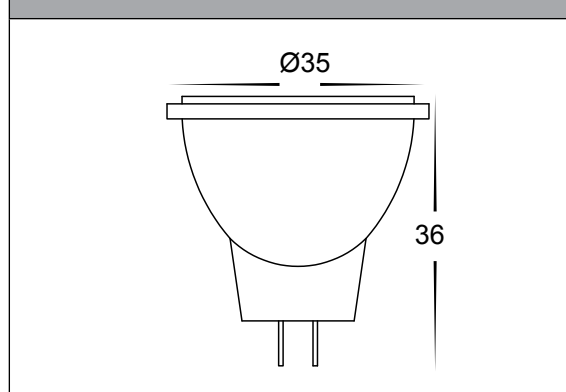
PRODUCT SPECIFICATIONS

Material	Plastic
Colour	White
IP Rating	IP20
Lamp Base	MR11 G4
CRI	> 80
Wiring	Parallel
Dimmable	No
Warranty	2 Years Replacement



COLOUR TEMP	IP RATING	APPROVAL
<div style="display: flex; justify-content: space-around;"> 3000K 4000K 5500K </div>		

DIMENSIONS



TO SUIT HAVIT MINI TIVAH SPOT LIGHT RANGE



PART NUMBER	COLOUR TEMP	LUMENS	INPUT VOLTAGE	INCLUDED LED
HV9311W	2700K	270lm	12v DC	3w MR11 LED
HV9311N	4000K	300lm	12v DC	3w MR11 LED
HV9311C	5500K	310lm	12v DC	3w MR11 LED

For More Information Contact Havit Lighting

143 Beauchamp Road
Matraville NSW 2036
Australia

Tel: 02 9381 83000
Fax: 02 9666 888
Email: sales@havit.com.au
Web: www.havit.com.au



Warranty Terms & Conditions



Additional Information