

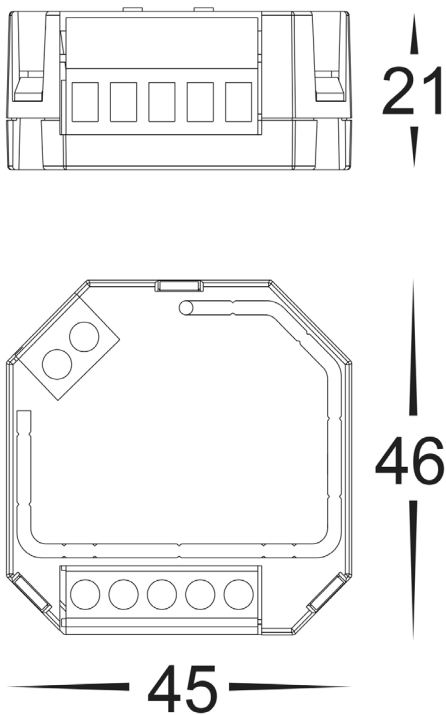
Dali On-Off Relay Module

PRODUCT SPECIFICATIONS

Material	Plastic
Colour	White
IP Rating	IP20
No. of Addresses	1
Input Voltage	240V
Output Power	300w LED
Consumption	<30ma
Working Temp	-30 °C - 55 °C
Dimmable	No
Dimming Range	N/A
Protection	Overload & Short Circuit
Warranty	2 Years Replacement

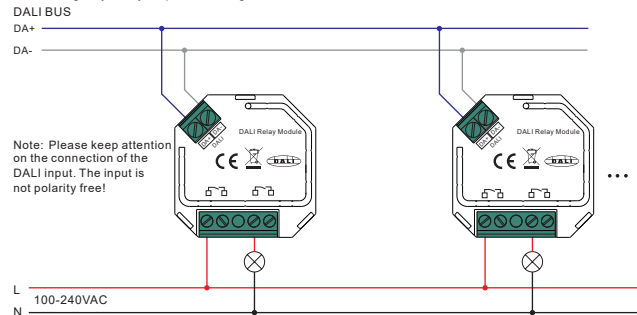


DIMENSIONS

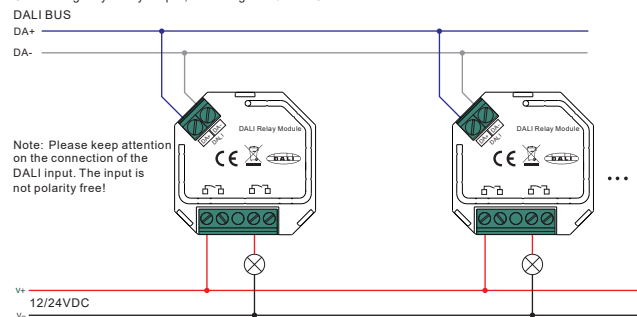


SAMPLE WIRING DIAGRAM

Connecting only Relay output, switching of 100-240VAC load



Connecting only Relay output, switching of 12/24VDC load



PART NUMBER	INPUT VOLTAGE	IP RATING	APPROVAL
HV9107-2701S-N	240V	IP20 INDOOR USE ONLY	

For More Information Contact Havit Lighting

143 Beauchamp Road
Matraville NSW 2036
Australia

Tel: 02 9381 83000
Fax: 02 9666 888
Email: sales@havit.com.au
Web: www.havit.com.au



Warranty Terms & Conditions



Additional Information