

RF+ WIFI IP67 4 Channel LED Strip Receiver

PRODUCT SPECIFICATIONS

Part Number	HV9103-1009FAW
Material	Plastic
Colour	White
IP Rating	IP67
LED Strip Type	Single Colour, CT, RGB + RGBW
No. of Channels	4CH X 5A
Input Voltage	12v DC or 24v DC
Load	12v Max 240w 24v Max 480w
Dimmable	Yes
Warranty	3 Years Replacement*

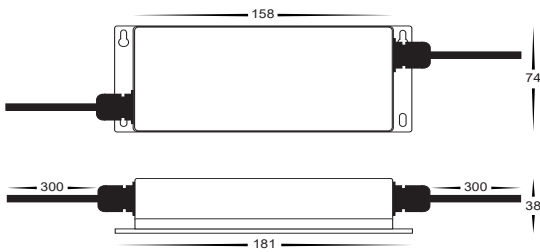
IP RATING



APPROVAL



DIMENSIONS



COMPATIBLE CONTROLLERS



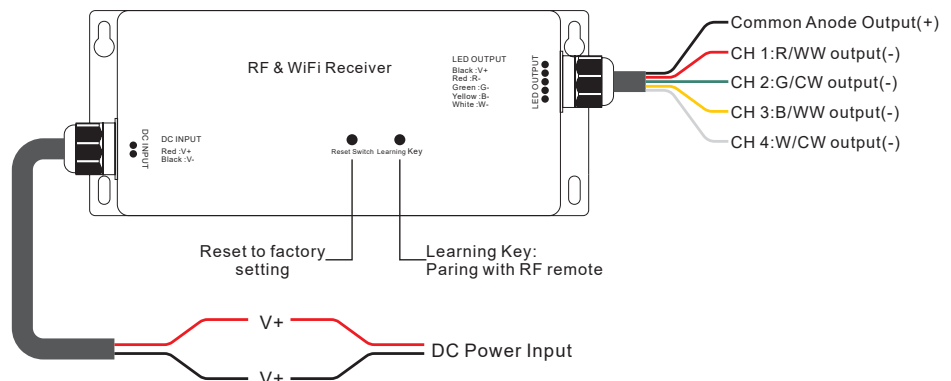
HV9102-2819DIM



HV9102-2819RGBW



SAMPLE WIRING DIAGRAM



*Ordered after 01-01-2022

For More Information Contact Havit Lighting

143 Beauchamp Road
Matraville NSW 2036
Australia

Tel: 02 9381 83000
Fax: 02 9666 888
Email: sales@havit.com.au
Web: www.havit.com.au



Warranty Terms & Conditions



Additional Information