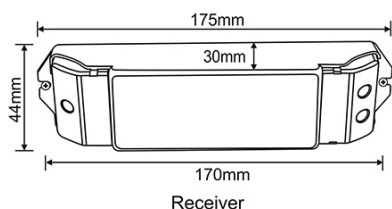


PRODUCT SPECIFICATIONS

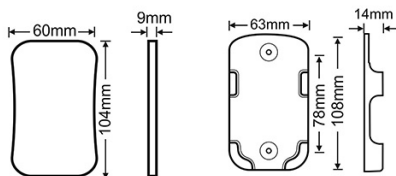
- Material:** Plastic
- Colour:** White
- LED Strip Type:** RGB
- No. of Zones:** 1
- No. of Channels:** 4
- Output Power:** 4x 5A (240w/480w)
- Receiver Input Voltage:** 12v DC or 24v DC
- Remote Input Voltage:** 3v DC Battery (CR2032)
- IP Rating:** IP20
- Dimmable:** Yes (5% - 100%)
- Warranty:** 2 Years Replacement**



DIMENSIONS



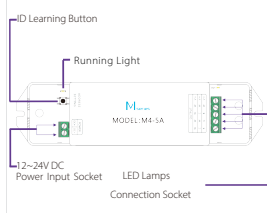
Receiver



Remote

Remote-holder

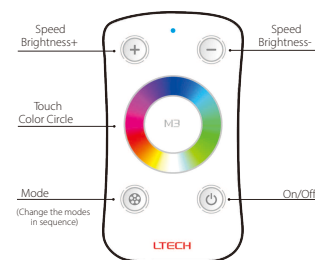
WIRING DIAGRAM



IP RATING



OPERATING INSTRUCTIONS



M3 Changing Mode Table

No.	Mode	No.	Mode
1	Static Red	7	Static White
2	Static Green	8	RGB Skipping
3	Static Blue	9	7 Colors Skipping
4	Static Yellow	10	RGB Color Smooth
5	Static Purple	11	Full-color Smooth
6	Static Cyan		

Product Ordering

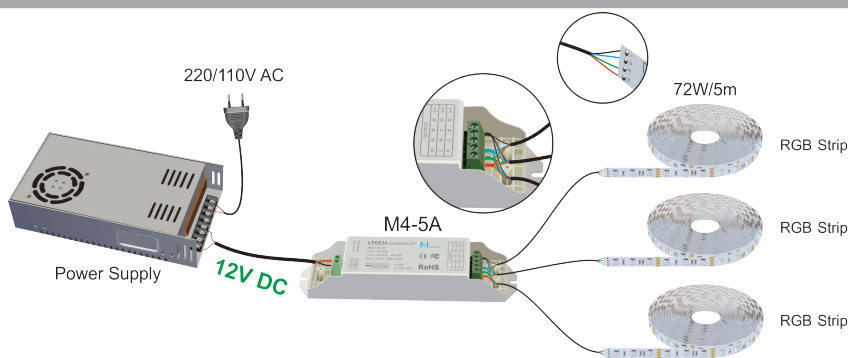
IMAGE



PART NUMBER

HV9102-M3+M4-5A

SAMPLE INSTALLATION DIAGRAM



** See Warranty Terms and Conditions for more information

For more information contact Havit Lighting

ADDRESS:
143 Beauchamp Road
Matraville NSW 2036
Australia

Tel: 02 9381 8300
Fax: 02 9666 8881
Email: sales@havit.com.au
web: www.havit.com.au

RGBW LED Strip Remote + Receiver

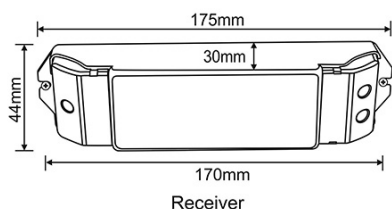


PRODUCT SPECIFICATIONS

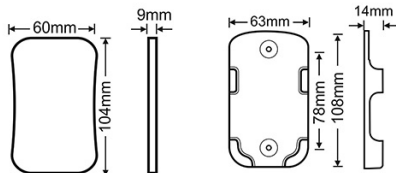
- Material:** Plastic
- Colour:** White
- LED Strip Type:** RGBC + RGBW
- No. of Zones:** 1
- No. of Channels:** 4
- Output Power:** 4x 5A (240w/480w)
- Receiver Input Voltage:** 12v DC or 24v DC
- Remote Input Voltage:** 3v DC Battery (CR2032)
- IP Rating:** IP20
- Dimmable:** Yes (5% - 100%)
- Warranty:** 2 Years Replacement**



DIMENSIONS



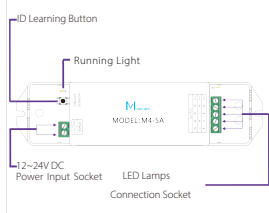
Receiver



Remote

Remote-holder

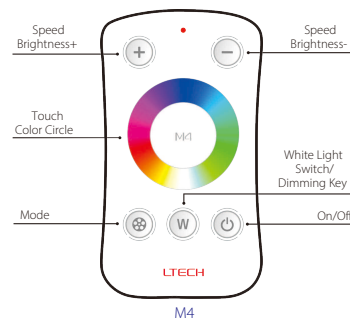
WIRING DIAGRAM



IP RATING



OPERATING INSTRUCTIONS



M4

M4 Changing Mode Table

No.	Mode	Instrucion	No.	Mode	Instrucion
1	Static Red	Brightness Adjustable	7	Static White	Brightness Adjustable
2	Static Green	Brightness Adjustable	8	RGB Skipping	Speed/Brightness Adjustable
3	Static Blue	Brightness Adjustable	9	7 Colors Skipping	Speed/Brightness Adjustable
4	Static Yellow	Brightness Adjustable	10	RGB Color Smooth	Speed/Brightness Adjustable
5	Static Purple	Brightness Adjustable	11	Full-color Smooth	Speed/Brightness Adjustable
6	Static Cyan	Brightness Adjustable	12	Static Black	White light can be turn/off and adjusted

Product Ordering

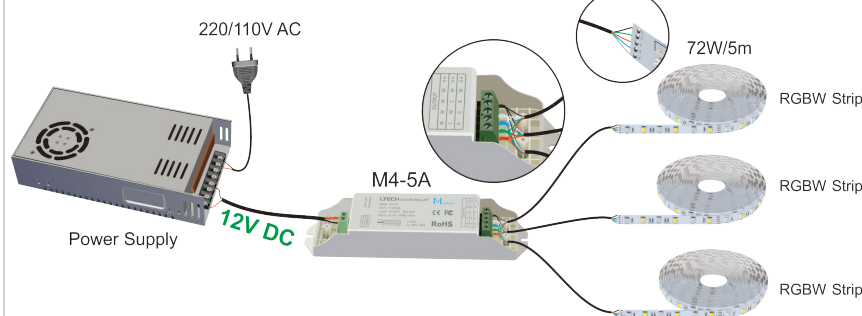
IMAGE



PART NUMBER

HV9102-M4+M4-5A

SAMPLE INSTALLATION DIAGRAM



** See Warranty Terms and Conditions for more information

For more information contact Havit Lighting

ADDRESS:
143 Beauchamp Road
Matraville NSW 2036
Australia

Tel: 02 9381 8300
Fax: 02 9666 8881
Email: sales@havit.com.au
web: www.havit.com.au