

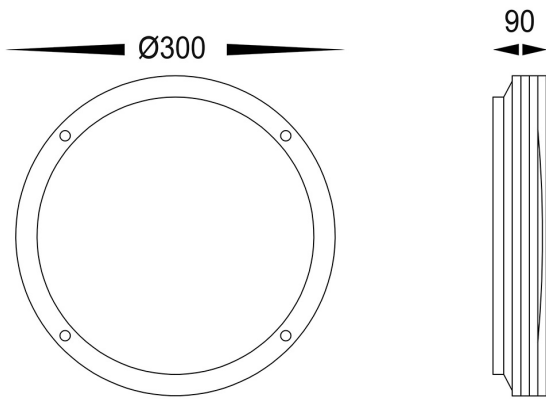
Aluminium Round Bunker Lights

PRODUCT SPECIFICATIONS

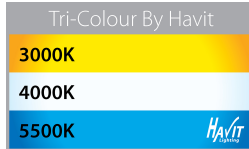
Name: Stor
Material: Aluminium + PC
Colour: Poly powder coated black
IP Rating: IP54
Lamp Base: Built in LED
CRI: ≥80
Wiring: Parallel
Dimmable: No
Warranty: 2 Years Replacement**



DIMENSIONS



COLOUR TEMPERATURE



IP RATING



APPROVALS



Product Ordering

IMAGE	PART NUMBER	COLOURTEMP	LUMENS	INPUT	BEAM ANGLE	INCLUDED LED
	HV3670T-BLK	3000k 4000k 5500k	2250lm 2325lm 2400lm	240v AC	120°	Tri-Colour 30w Built in LED

* Lumen output measured at source

** See Warranty Terms and Conditions for more information

For more information contact Havit Lighting

ADDRESS:
 143 Beauchamp Road
 Matraville NSW 2036
 Australia

Tel: 02 9381 8300
 Fax: 02 9666 8881
 Email: sales@havitt.com.au
 web: www.havitt.com.au

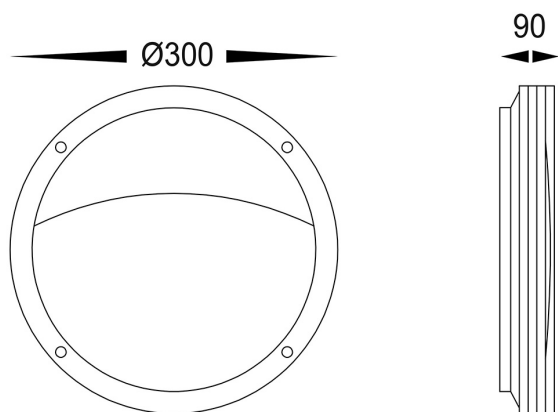
Aluminium Round Bunker Lights with Eyelid

PRODUCT SPECIFICATIONS

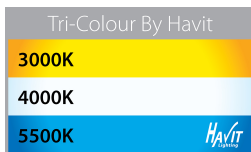
Name: Stor
Material: Aluminium + PC
Colour: Poly powder coated black
IP Rating: IP54
Lamp Base: Built in LED
CRI: ≥80
Wiring: Parallel
Dimmable: No
Warranty: 2 Years Replacement**



DIMENSIONS



COLOUR TEMPERATURE



IP RATING



APPROVALS



Product Ordering

IMAGE	PART NUMBER	COLOURTEMP	LUMENS	INPUT	BEAM ANGLE	INCLUDED LED
	HV3671T-BLK	3000k 4000k 5500k	2050lm 2125lm 2250lm	240v AC	120°	Tri-Colour 30w Built in LED

* Lumen output measured at source

** See Warranty Terms and Conditions for more information

For more information contact Havit Lighting

ADDRESS:
 143 Beauchamp Road
 Matraville NSW 2036
 Australia

Tel: 02 9381 8300
 Fax: 02 9666 8881
 Email: sales@havitt.com.au
 web: www.havitt.com.au