

Aluminium Large Square Up & Down Wall Lights

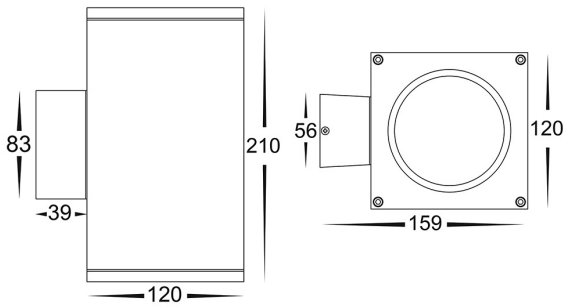


PRODUCT SPECIFICATIONS

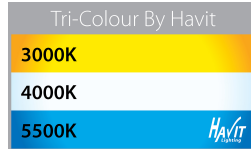
Name: Porter Square
Material: Aluminium
Colour: Poly powder coated black or white
IP Rating: IP54
Lamp Base: Built in LED
CRI: ≥80
Wiring: Parallel
Dimmable: Yes
Warranty: 2 Years Replacement**



DIMENSIONS



COLOUR TEMPERATURE



IP RATING



APPROVALS



Product Ordering

IMAGE	PART NUMBER	COLOURTEMP	LUMENS	INPUT	BEAM ANGLE	INCLUDED LED
	HV3629T-BLK-SQ	3000k 4000k 5500k	2x 1200lm 2x 1275lm 2x 1350lm	240v AC	60°	Tri-Colour 2x 15w Built in LED
	HV3629T-WHT-SQ	3000k 4000k 5500k	2x 1200lm 2x 1275lm 2x 1350lm	240v AC	60°	Tri-Colour 2x 15w Built in LED

* Lumen output measured at source

** See Warranty Terms and Conditions for more information

For more information contact Havit Lighting

ADDRESS:
 143 Beauchamp Road
 Matraville NSW 2036
 Australia

Tel: 02 9381 8300
 Fax: 02 9666 8881
 Email: sales@havitt.com.au
 web: www.havitt.com.au

Aluminium Large Round Up & Down Wall Lights

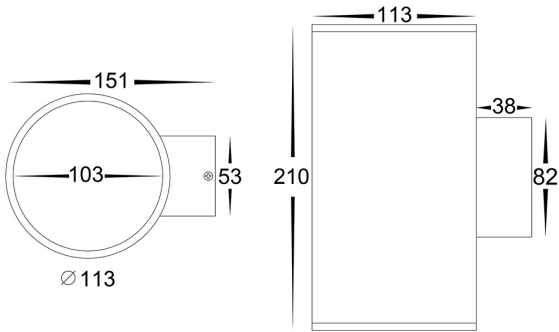


PRODUCT SPECIFICATIONS

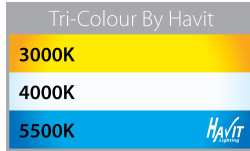
Name: Porter
Material: Aluminium
Colour: Poly powder coated black or white
IP Rating: IP54
Lamp Base: Built in LED
CRI: ≥80
Wiring: Parallel
Dimmable: Yes
Warranty: 2 Years Replacement**



DIMENSIONS



COLOUR TEMPERATURE




IP RATING



APPROVALS



Product Ordering

IMAGE	PART NUMBER	COLOURTEMP	LUMENS	INPUT	BEAM ANGLE	INCLUDED LED
	HV3629T-BLK	3000k 4000k 5500k	2x 1200lm 2x 1275lm 2x 1350lm	240v AC	60°	Tri-Colour 2x 15w Built in LED
	HV3629T-WHT	3000k 4000k 5500k	2x 1200lm 2x 1275lm 2x 1350lm	240v AC	60°	Tri-Colour 2x 15w Built in LED

* Lumen output measured at source

** See Warranty Terms and Conditions for more information

For more information contact Havit Lighting

ADDRESS:
 143 Beauchamp Road
 Matraville NSW 2036
 Australia

Tel: 02 9381 8300
 Fax: 02 9666 8881
 Email: sales@havit.com.au
 web: www.havit.com.au

Aluminium Large Square Fixed Down Wall Lights

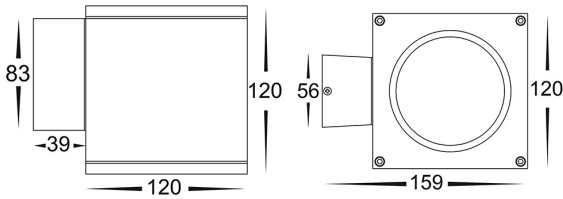


PRODUCT SPECIFICATIONS

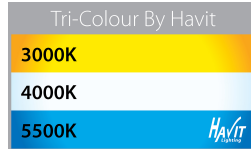
Name: Porter Square
Material: Aluminium
Colour: Poly powder coated black or white
IP Rating: IP54
Lamp Base: Built in LED
CRI: ≥80
Wiring: Parallel
Dimmable: Yes (Triac)
Warranty: 2 Years Replacement**



DIMENSIONS



COLOUR TEMPERATURE





IP RATING



APPROVALS



Product Ordering

IMAGE	PART NUMBER	COLOURTEMP	LUMENS	INPUT	BEAM ANGLE	INCLUDED LED
	HV3628T-BLK-SQ	3000k 4000k 5500k	1200lm 1275lm 1350lm	240v AC	60°	Tri-Colour 15w Built in LED
	HV3628T-WHT-SQ	3000k 4000k 5500k	1200lm 1275lm 1350lm	240v AC	60°	Tri-Colour 15w Built in LED

* Lumen output measured at source

** See Warranty Terms and Conditions for more information

For more information contact Havit Lighting

ADDRESS:
143 Beauchamp Road
Matrville NSW 2036
Australia

Tel: 02 9381 8300
Fax: 02 9666 8881
Email: sales@havit.com.au
web: www.havit.com.au

Aluminium Large Round Fixed Down Wall Lights

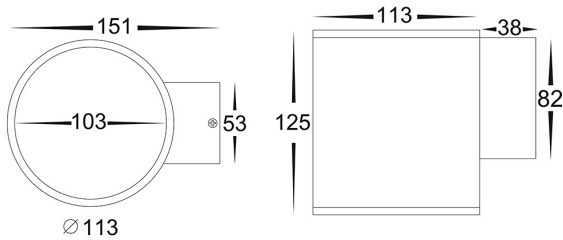


PRODUCT SPECIFICATIONS

Name: Porter
Material: Aluminium
Colour: Poly powder coated black or white
IP Rating: IP54
Lamp Base: Built in LED
CRI: ≥80
Wiring: Parallel
Dimmable: Yes (Triac)
Warranty: 2 Years Replacement**



DIMENSIONS



COLOUR TEMPERATURE

Tri-Colour By Havit
3000K
4000K
5500K

IP RATING



APPROVALS



Product Ordering

IMAGE	PART NUMBER	COLOURTEMP	LUMENS	INPUT	BEAM ANGLE	INCLUDED LED
	HV3628T-BLK	3000k 4000k 5500k	1200lm 1275lm 1350lm	240v AC	60°	Tri-Colour 15w Built in LED
	HV3628T-WHT	3000k 4000k 5500k	1200lm 1275lm 1350lm	240v AC	60°	Tri-Colour 15w Built in LED

* Lumen output measured at source

** See Warranty Terms and Conditions for more information

For more information contact Havit Lighting

ADDRESS:
 143 Beauchamp Road
 Matraville NSW 2036
 Australia

Tel: 02 9381 8300
 Fax: 02 9666 8881
 Email: sales@havit.com.au
 web: www.havit.com.au