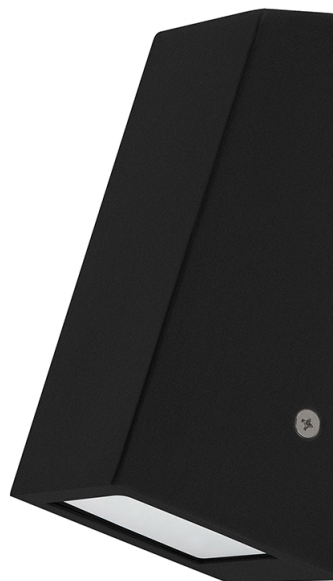


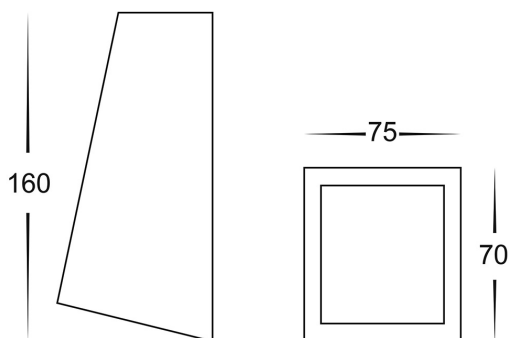
316 Stainless Steel Black Wedge Wall Light

PRODUCT SPECIFICATIONS

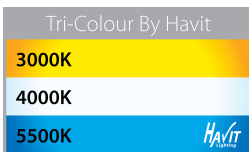
Name: Taper
Material: 316 Stainless Steel
Colour: Poly powder coated black
IP Rating: IP44
Lamp Base: GU10 or MR16
CRI: ≥80
Wiring: Parallel
Dimmable: No
Warranty: 2 Years Replacement**



DIMENSIONS



COLOUR TEMPERATURE






IP RATING



APPROVALS



Product Ordering

IMAGE	PART NUMBER	COLOURTEMP	LUMENS	INPUT	BEAM ANGLE	INCLUDED LED
	HV3602T-BLK	3000K	270lm	240v	120°	 Tri-Colour 5w GU10 LED
		4000K	285lm			
5500K	300lm					
	HV3605T-BLK	3000K	270lm	12v DC	120°	 Tri-Colour 5w MR16 LED
		4000K	285lm			
		5500K	300lm			

12v DC models must be used with suitable 12v DC LED Driver

* Lumen output measured at source
 ** See Warranty Terms and Conditions for more information

For more information contact Havit Lighting

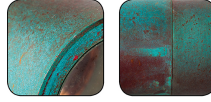
ADDRESS:
 143 Beauchamp Road
 Matraville NSW 2036
 Australia

Tel: 02 9381 8300
 Fax: 02 9666 8881
 Email: sales@havit.com.au
 web: www.havit.com.au

Copper Wedge Wall Light

PRODUCT SPECIFICATIONS

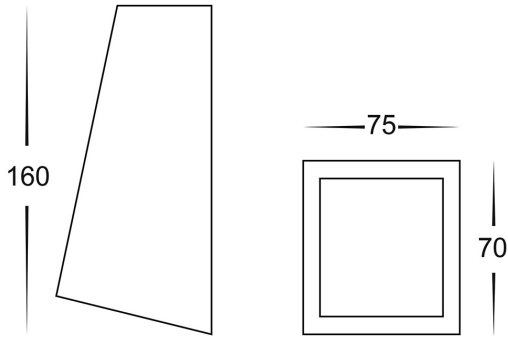
Name: Taper
Material: Copper + Stainless Steel
Colour: Copper (will age over time)
IP Rating: IP44
Lamp Base: GU10 or MR16
CRI: ≥80
Wiring: Parallel
Dimmable: No
Warranty: 2 Years Replacement**



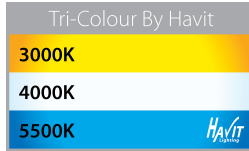
Weathered Copper



DIMENSIONS



COLOUR TEMPERATURE



IP RATING



APPROVALS



Product Ordering

IMAGE	PART NUMBER	COLOUR TEMP	LUMENS	INPUT	BEAM ANGLE	INCLUDED LED
	HV3602T-CP	3000K	270lm	240v	120°	Tri-Colour 5w GU10 LED
		4000K	285lm			
5500K	300lm					
	HV3605T-CP	3000K	270lm	12v DC	120°	Tri-Colour 5w MR16 LED
		4000K	285lm			
		5500K	300lm			

12v DC models must be used with suitable 12v DC LED Driver

* Lumen output measured at source

** See Warranty Terms and Conditions for more information

For more information contact Havit Lighting

ADDRESS:
 143 Beauchamp Road
 Matraville NSW 2036
 Australia

Tel: 02 9381 8300
 Fax: 02 9666 8881
 Email: sales@havit.com.au
 web: www.havit.com.au

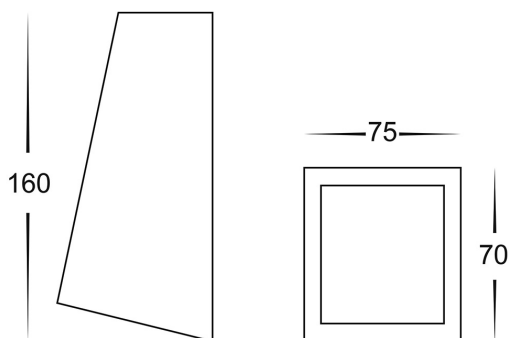
316 Stainless Steel Wedge Wall Light

PRODUCT SPECIFICATIONS

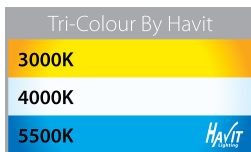
Name: Taper
Material: 316 Stainless Steel
Colour: Stainless Steel
IP Rating: IP44
Lamp Base: E27
CRI: ≥80
Wiring: Parallel
Dimmable: No
Warranty: 2 Years Replacement**



DIMENSIONS



COLOUR TEMPERATURE



IP RATING



APPROVALS



Product Ordering

IMAGE	PART NUMBER	COLOURTEMP	LUMENS	INPUT	BEAM ANGLE	INCLUDED LED
	HV3602T-SS316	3000K	270lm	240v	120°	Tri-Colour 5w GU10 LED
		4000K	285lm			
5500K	300lm					
	HV3605T-SS316	3000K	270lm	12v DC	120°	Tri-Colour 5w MR16 LED
		4000K	285lm			
		5500K	300lm			

12v DC models must be used with suitable 12v DC LED Driver

* Lumen output measured at source

** See Warranty Terms and Conditions for more information

For more information contact Havit Lighting

ADDRESS:
 143 Beauchamp Road
 Matraville NSW 2036
 Australia

Tel: 02 9381 8300
 Fax: 02 9666 8881
 Email: sales@havit.com.au
 web: www.havit.com.au

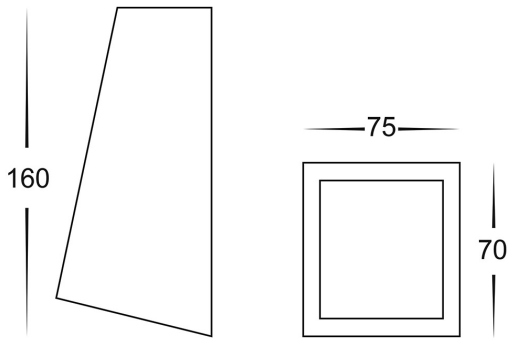
316 Stainless Steel White Wedge Wall Light

PRODUCT SPECIFICATIONS

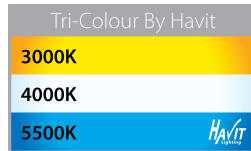
Name: Taper
Material: 316 Stainless Steel
Colour: Poly powder coated white
IP Rating: IP44
Lamp Base: GU10 or MR16
CRI: ≥80
Wiring: Parallel
Dimmable: No
Warranty: 2 Years Replacement**



DIMENSIONS



COLOUR TEMPERATURE



IP RATING



APPROVALS



Product Ordering

IMAGE	PART NUMBER	COLOURTEMP	LUMENS	INPUT	BEAM ANGLE	INCLUDED LED
	HV3602T-WHT	3000K	270lm	240v	120°	Tri-Colour 5w GU10 LED
		4000K	285lm			
5500K	300lm					
	HV3605T-WHT	3000K	270lm	12v DC	120°	Tri-Colour 5w MR16 LED
		4000K	285lm			
		5500K	300lm			

12v DC models must be used with suitable 12v DC LED Driver

* Lumen output measured at source

** See Warranty Terms and Conditions for more information

For more information contact Havit Lighting

ADDRESS:
 143 Beauchamp Road
 Matraville NSW 2036
 Australia

Tel: 02 9381 8300
 Fax: 02 9666 8881
 Email: sales@havit.com.au
 web: www.havit.com.au