

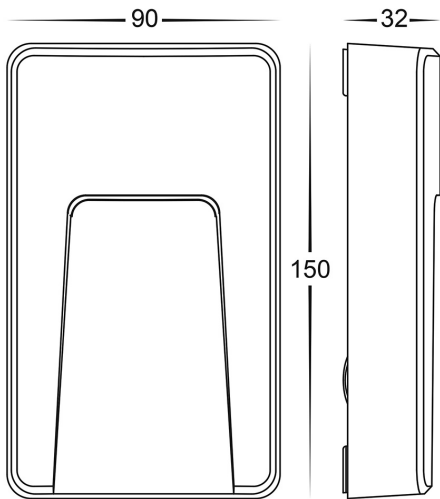
Rectangle Polycarb Step Lights

PRODUCT SPECIFICATIONS

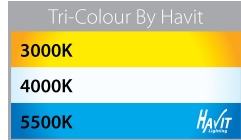
Name: Seefore
Material: Polycarb
Colour: Matt Black or Matt White
IP Rating: IP65
Lamp Base: Built in LED
CRI: ≥80
Wiring: Parallel
Dimmable: No
Warranty: 2 Years Replacement**



DIMENSIONS



COLOUR TEMPERATURE



IP RATING



APPROVALS



Product Ordering

IMAGE	PART NUMBER	COLOURTEMP	LUMENS	INPUT	BEAM ANGLE	INCLUDED LED
	HV3223T-BLK	3000K 4000K 5500K	90lm 95lm 100lm	12v DC	120°	Tri-Colour 3w Built in LED
	HV3223T-WHT	3000K 4000K 5500K	90lm 95lm 100lm	12v DC	120°	Tri-Colour 3w Built in LED

12v DC models must be used with suitable 12v DC LED Driver

* Lumen output measured at source

** See Warranty Terms and Conditions for more information

For more information contact Havit Lighting

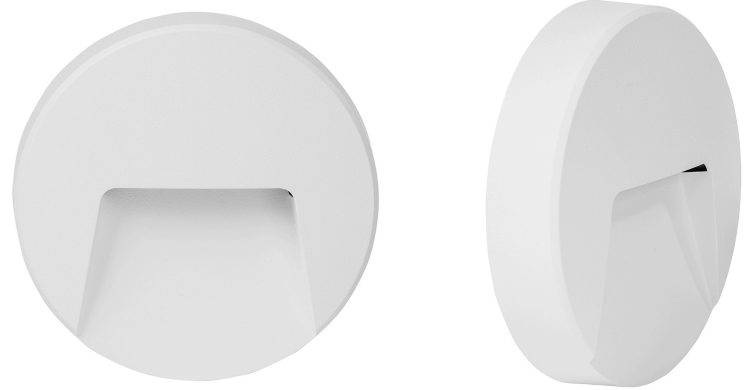
ADDRESS:
 143 Beauchamp Road
 Matraville NSW 2036
 Australia

Tel: 02 9381 8300
 Fax: 02 9666 8881
 Email: sales@havitt.com.au
 web: www.havitt.com.au

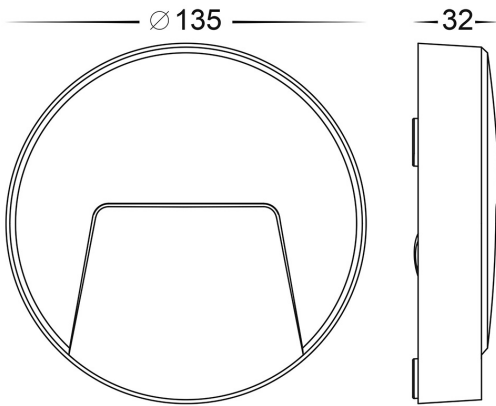
Round Polycarb Step Lights

PRODUCT SPECIFICATIONS

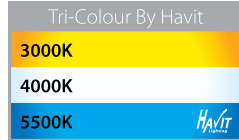
Name: Seefore
Material: Polycarb
Colour: Matt Black or Matt White
IP Rating: IP65
Lamp Base: Built in LED
CRI: ≥80
Wiring: Parallel
Dimmable: No
Warranty: 2 Years Replacement**



DIMENSIONS



COLOUR TEMPERATURE



IP RATING



APPROVALS



Product Ordering

IMAGE	PART NUMBER	COLOURTEMP	LUMENS	INPUT	BEAM ANGLE	INCLUDED LED
	HV3221T-BLK	3000K 4000K 5500K	90lm 95lm 100lm	12v DC	120°	Tri-Colour 3w Built in LED
	HV3221T-WHT	3000K 4000K 5500K	90lm 95lm 100lm	12v DC	120°	Tri-Colour 3w Built in LED

12v DC models must be used with suitable 12v DC LED Driver

* Lumen output measured at source

** See Warranty Terms and Conditions for more information

For more information contact Havit Lighting

ADDRESS:
 143 Beauchamp Road
 Matraville NSW 2036
 Australia

Tel: 02 9381 8300
 Fax: 02 9666 8881
 Email: sales@havitt.com.au
 web: www.havitt.com.au

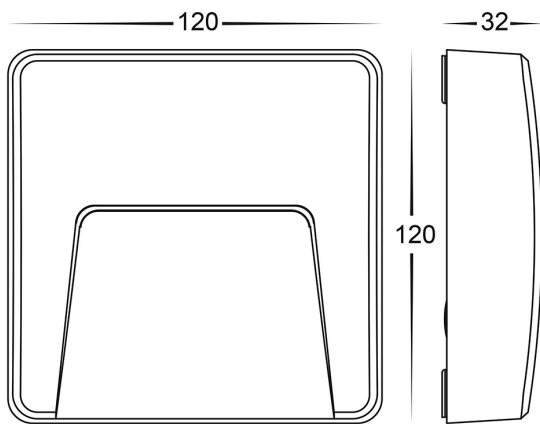
Square Polycarb Step Lights

PRODUCT SPECIFICATIONS

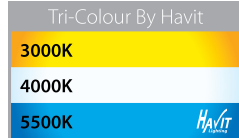
Name: Seefore
Material: Polycarb
Colour: Matt Black or Matt White
IP Rating: IP65
Lamp Base: Built in LED
CRI: ≥80
Wiring: Parallel
Dimmable: No
Warranty: 2 Years Replacement**



DIMENSIONS



COLOUR TEMPERATURE



IP RATING



APPROVALS



Product Ordering

IMAGE	PART NUMBER	COLOURTEMP	LUMENS	INPUT	BEAM ANGLE	INCLUDED LED
	HV3222T-BLK	3000K 4000K 5500K	90lm 95lm 100lm	12v DC	120°	Tri-Colour 3w Built in LED
	HV3222T-WHT	3000K 4000K 5500K	90lm 95lm 100lm	12v DC	120°	Tri-Colour 3w Built in LED

12v DC models must be used with suitable 12v DC LED Driver

* Lumen output measured at source

** See Warranty Terms and Conditions for more information

For more information contact Havit Lighting

ADDRESS:
 143 Beauchamp Road
 Matraville NSW 2036
 Australia

Tel: 02 9381 8300
 Fax: 02 9666 8881
 Email: sales@hav.it.com.au
 web: www.havit.com.au