

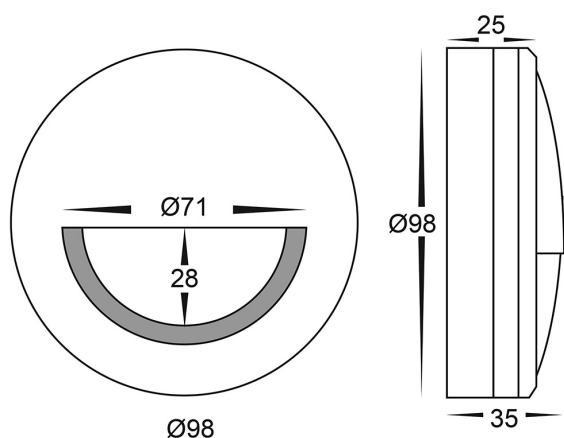
Aluminium Black Step Lights with Eyelid

PRODUCT SPECIFICATIONS

Name: Nava
Material: Aluminium
Colour: Poly powder coated black
IP Rating: IP65
Lamp Base: Built in LED
CRI: ≥80
Cable Length: 200mm
Wiring: Parallel
Dimmable: No
Warranty: 2 Years Replacement**



DIMENSIONS



COLOUR TEMPERATURE



IP RATING



APPROVALS



Product Ordering

IMAGE	PART NUMBER	COLOURTEMP	LUMENS	INPUT	BEAM ANGLE	INCLUDED LED
	HV2961C-BLK-240V	5500k	400lm	240v AC	120°	5w Built in LED
	HV2961W-BLK-240V	3000k	360lm			
	HV2961C-BLK-12V	5500k	400lm	12v DC	120°	5w Built in LED
	HV2961W-BLK-12V	3000k	360lm			

12v DC models must be used with suitable 12v DC LED Driver

* Lumen output measured at source

** See Warranty Terms and Conditions for more information

For more information contact Havit Lighting

ADDRESS:
 143 Beauchamp Road
 Matraville NSW 2036
 Australia

Tel: 02 9381 8300
 Fax: 02 9666 8881
 Email: sales@havit.com.au
 web: www.havit.com.au

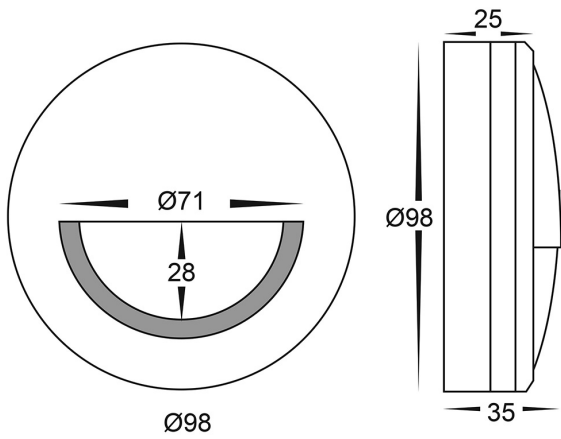
Titanium Aluminium Step Lights with Eyelid

PRODUCT SPECIFICATIONS

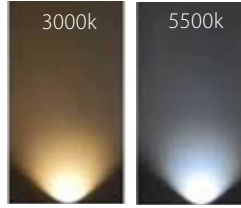
Name: Nava
Material: Aluminium
Colour: Titanium
IP Rating: IP65
Lamp Base: Built in LED
CRI: ≥80
Cable Length: 200mm
Wiring: Parallel
Dimmable: No
Warranty: 2 Years Replacement**



DIMENSIONS



COLOUR TEMPERATURE



IP RATING



APPROVALS



Product Ordering

IMAGE	PART NUMBER	COLOURTEMP	LUMENS	INPUT	BEAM ANGLE	INCLUDED LED
	HV2961C-TTM-240V	5500k	400lm	240v AC	120°	5w Built in LED
	HV2961W-TTM-240V	3000k	360lm			
	HV2961C-TTM-12V	5500k	400lm	12v DC	120°	5w Built in LED
	HV2961W-TTM-12V	3000k	360lm			

12v DC models must be used with suitable 12v DC LED Driver

* Lumen output measured at source

** See Warranty Terms and Conditions for more information

For more information contact Havit Lighting

ADDRESS:
 143 Beauchamp Road
 Matraville NSW 2036
 Australia

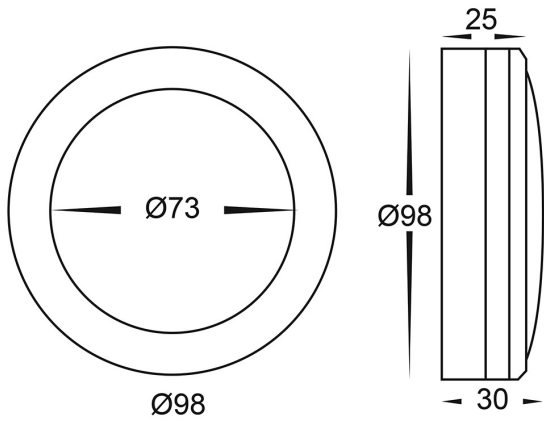
Tel: 02 9381 8300
 Fax: 02 9666 8881
 Email: sales@havit.com.au
 web: www.havit.com.au

PRODUCT SPECIFICATIONS

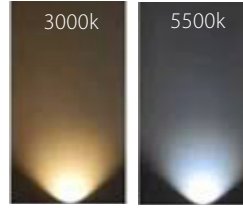
Name: Nava
Material: Aluminium
Colour: Poly powder coated black
IP Rating: IP65
Lamp Base: Built in LED
CRI: ≥80
Cable Length: 200mm
Wiring: Parallel
Dimmable: No
Warranty: 2 Years Replacement**



DIMENSIONS



COLOUR TEMPERATURE



IP RATING



APPROVALS



Product Ordering

IMAGE	PART NUMBER	COLOURTEMP	LUMENS	INPUT	BEAM ANGLE	INCLUDED LED
	HV2960C-BLK-240V	5500k	400lm	240v AC	120°	5w Built in LED
	HV2960W-BLK-240V	3000k	360lm			
	HV2960C-BLK-12V	5500k	400lm	12v DC	120°	5w Built in LED
	HV2960W-BLK-12V	3000k	360lm			

12v DC models must be used with suitable 12v DC LED Driver

* Lumen output measured at source

** See Warranty Terms and Conditions for more information

For more information contact Havit Lighting

ADDRESS:
 143 Beauchamp Road
 Matraville NSW 2036
 Australia

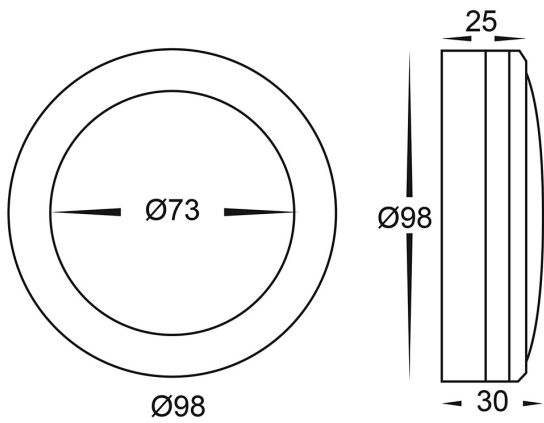
Tel: 02 9381 8300
 Fax: 02 9666 8881
 Email: sales@havit.com.au
 web: www.havit.com.au

PRODUCT SPECIFICATIONS

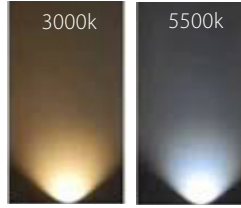
Name: Nava
Material: Aluminium
Colour: Titanium
IP Rating: IP65
Lamp Base: Built in LED
CRI: ≥80
Cable Length: 200mm
Wiring: Parallel
Dimmable: No
Warranty: 2 Years Replacement**



DIMENSIONS



COLOUR TEMPERATURE



IP RATING



APPROVALS



Product Ordering

IMAGE	PART NUMBER	COLOURTEMP	LUMENS	INPUT	BEAM ANGLE	INCLUDED LED
	HV2960C-TTM-240V	5500k	400lm	240v AC	120°	5w Built in LED
	HV2960W-TTM-240V	3000k	360lm			
	HV2960C-TTM-12V	5500k	400lm	12v DC	120°	5w Built in LED
	HV2960W-TTM-12V	3000k	360lm			

12v DC models must be used with suitable 12v DC LED Driver

* Lumen output measured at source

** See Warranty Terms and Conditions for more information

For more information contact Havit Lighting

ADDRESS:
 143 Beauchamp Road
 Matraville NSW 2036
 Australia

Tel: 02 9381 8300
 Fax: 02 9666 8881
 Email: sales@havit.com.au
 web: www.havit.com.au