

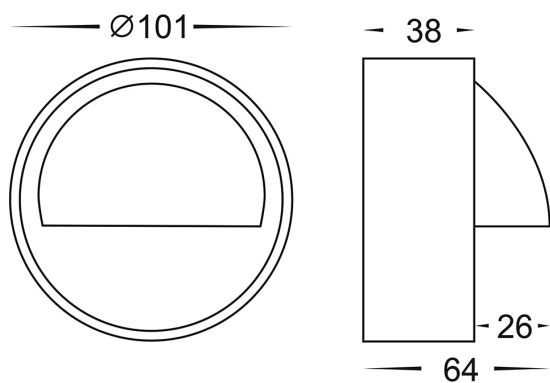
316 Stainless Steel Step Lights with Eyelid

PRODUCT SPECIFICATIONS

Name: Pinta
Material: 316 Stainless Steel
Colour: Stainless Steel
IP Rating: IP54
Lamp Base: G9, G4 or Built in LED
CRI: ≥80
Cable Length: 200mm (HV2908 + HV2909 only)
Wiring: Parallel
Dimmable: No
Warranty: 2 Years Replacement**



DIMENSIONS



COLOUR TEMPERATURE



IP RATING



APPROVALS



Product Ordering

IMAGE	PART NUMBER	COLOURTEMP	LUMENS	INPUT	BEAM ANGLE	INCLUDED LED
	HV2906	N/A	N/A	240v AC	N/A	G9 25w Max No Globe Supplied
	HV2907	N/A	N/A	12v DC	N/A	G4 20w Max No Globe Supplied
	HV2908C	5500k	180lm	240v AC	120°	2.3w Built in LED
	HV2908W	3000k	160lm			
	HV2909C	5500k	180lm	12v DC	120°	2.3w Built in LED
	HV2909W	3000k	160lm			

12v DC models must be used with suitable 12v DC LED Driver

* Lumen output measured at source

** See Warranty Terms and Conditions for more information

For more information contact Havit Lighting

ADDRESS:
 143 Beauchamp Road
 Matraville NSW 2036
 Australia

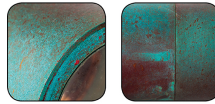
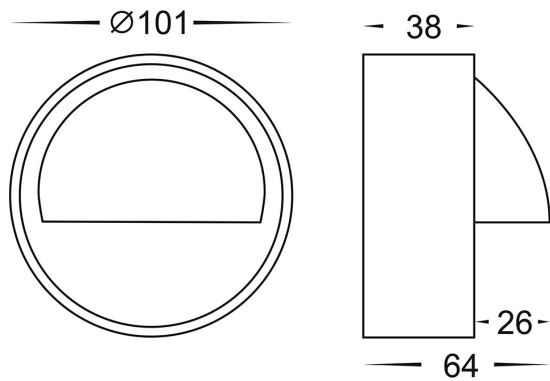
Tel: 02 9381 8300
 Fax: 02 9666 8881
 Email: sales@havit.com.au
 web: www.havit.com.au

PRODUCT SPECIFICATIONS

Name: Pinta
Material: 316 Stainless Steel + Copper
Colour: Copper (will age over time)
IP Rating: IP54
Lamp Base: G9, G4 or Built in LED
CRI: ≥80
Cable Length: 200mm (HV2918 + HV2919 only)
Wiring: Parallel
Dimmable: No
Warranty: 2 Years Replacement**

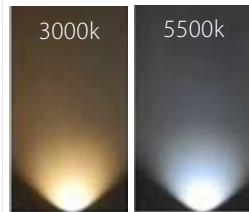


DIMENSIONS



Weathered Copper

COLOUR TEMPERATURE



IP RATING



APPROVALS



Product Ordering

IMAGE	PART NUMBER	COLOURTEMP	LUMENS	INPUT	BEAM ANGLE	INCLUDED LED
	HV2916	N/A	N/A	240v AC	N/A	G9 25w Max No Globe Supplied
	HV2917	N/A	N/A	12v DC	N/A	G4 20w Max No Globe Supplied
	HV2918C	5500k	180lm	240v AC	120°	2.3w Built in LED
	HV2918W	3000k	160lm			
	HV2919C	5500k	180lm	12v DC	120°	2.3w Built in LED
	HV2919W	3000k	160lm			

12v DC models must be used with suitable 12v DC LED Driver

* Lumen output measured at source

** See Warranty Terms and Conditions for more information

For more information contact Havit Lighting

ADDRESS:
 143 Beauchamp Road
 Matraville NSW 2036
 Australia

Tel: 02 9381 8300
 Fax: 02 9666 8881
 Email: sales@havit.com.au
 web: www.havit.com.au

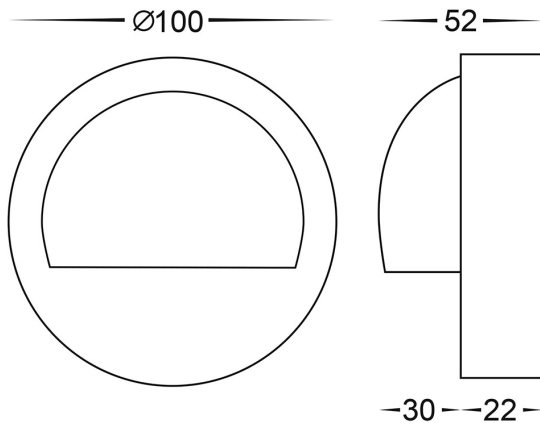
Antique Brass Step Lights with Eyelid

PRODUCT SPECIFICATIONS

Name: Pinta
Material: Solid Brass
Colour: Antique Brass
IP Rating: IP65
Lamp Base: G9, G4 or Built in LED
CRI: ≥80
Cable Length: 200mm
Wiring: Parallel
Dimmable: No
Warranty: 2 Years Replacement**



DIMENSIONS



COLOUR TEMPERATURE

Tri-Colour By Havit

3000K

4000K

5500K



IP RATING



APPROVALS



Product Ordering

IMAGE	PART NUMBER	COLOURTEMP	LUMENS	INPUT	BEAM ANGLE	INCLUDED LED
	HV2901-AB	N/A	N/A	240v AC	N/A	G9 25w Max No Globe Supplied
	HV2902-AB	N/A	N/A	12v DC	N/A	G4 20w Max No Globe Supplied
	HV2903T-AB	3000k 4000k 5500k	160lm 170lm 180lm	240v AC	120°	TRI Colour 2.3w Built in LED
	HV2904T-AB	3000k 4000k 5500k	160lm 170lm 180lm	12v DC	120°	TRI Colour 2.3w Built in LED

12v DC models must be used with suitable 12v DC LED Driver

* Lumen output measured at source

** See Warranty Terms and Conditions for more information

For more information contact Havit Lighting

ADDRESS:
 143 Beauchamp Road
 Matraville NSW 2036
 Australia

Tel: 02 9381 8300
 Fax: 02 9666 8881
 Email: sales@havitt.com.au
 web: www.havit.com.au

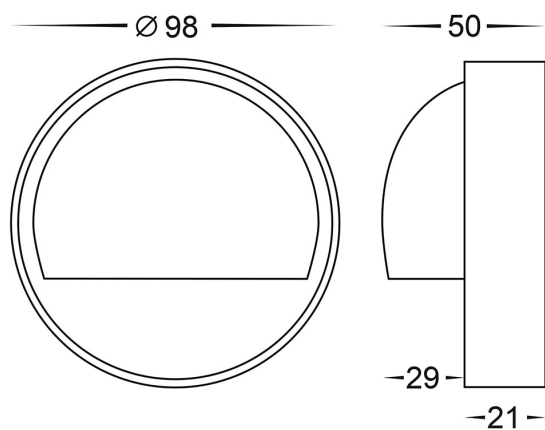
Aluminium Black Step Lights with Eyelid

PRODUCT SPECIFICATIONS

- Name:** Pinta
Material: Aluminium
Colour: Poly powder coated black
IP Rating: IP65
Lamp Base: G9, G4 or Built in LED
CRI: ≥80
Cable Length: 200mm (HV2923 + HV2924 only)
Wiring: Parallel
Dimmable: No
Warranty: 2 Years Replacement**



DIMENSIONS



COLOUR TEMPERATURE
Tri-Colour By Havit
3000K
4000K
5500K



Product Ordering

IMAGE	PART NUMBER	COLOURTEMP	LUMENS	INPUT	BEAM ANGLE	INCLUDED LED
	HV2921	N/A	N/A	240v AC	N/A	G9 25w Max No Globe Supplied
	HV2922	N/A	N/A	12v DC	N/A	G4 20w Max No Globe Supplied
	HV2923T	3000k 4000k 5500k	160lm 170lm 180lm	240v AC	120°	TRI Colour 2.3w Built in LED
	HV2924T	3000k 4000k 5500k	160lm 170lm 180lm	12v DC	120°	TRI Colour 2.3w Built in LED

12v DC models must be used with suitable 12v DC LED Driver

* Lumen output measured at source

** See Warranty Terms and Conditions for more information

For more information contact Havit Lighting

ADDRESS:
 143 Beauchamp Road
 Matraville NSW 2036
 Australia

Tel: 02 9381 8300
 Fax: 02 9666 8881
 Email: sales@havitt.com.au
 web: www.havit.com.au