

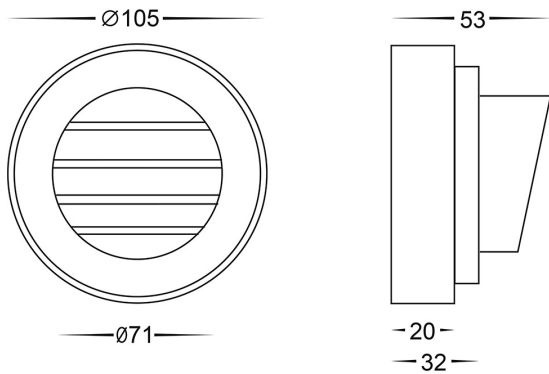
# 316 Stainless Steel Louvred Step Light

## PRODUCT SPECIFICATIONS

- Name:** Pinta
- Material:** 316 Stainless Steel
- Colour:** Stainless Steel
- IP Rating:** IP65
- Lamp Base:** Built in LED
- CRI:** ≥80
- Cable Length:** 200mm
- Wiring:** Parallel
- Dimmable:** No
- Warranty:** 2 Years Replacement\*\*



## DIMENSIONS



## COLOUR TEMPERATURE

Tri-Colour By Havit

3000K

4000K

5500K



## IP RATING



## APPROVALS



## Product Ordering

IMAGE	PART NUMBER	COLOURTEMP	LUMENS	INPUT	BEAM ANGLE	INCLUDED LED
	<b>HV2905T-12V</b>	3000k 4000k 5500k	160lm 170lm 180lm	12v DC	120°	<b>TRI Colour</b> 2.3w Built in LED

12v DC models must be used with suitable 12v DC LED Driver

\* Lumen output measured at source

\*\* See Warranty Terms and Conditions for more information

For more information contact Havit Lighting

ADDRESS:  
143 Beauchamp Road  
Matraville NSW 2036  
Australia

Tel: 02 9381 8300  
Fax: 02 9666 8881  
Email: sales@havit.com.au  
web: www.havit.com.au

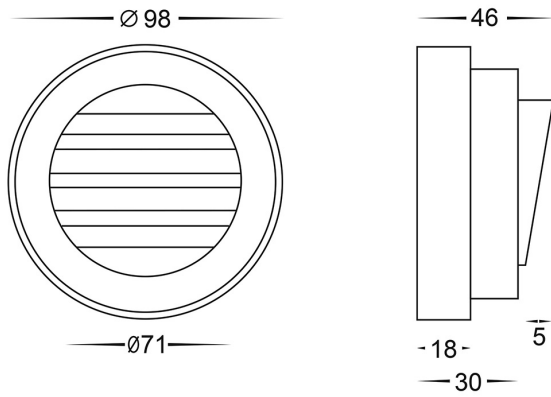
# Aluminium Black Louvred Step Light

## PRODUCT SPECIFICATIONS

- Name:** Pinta
- Material:** Aluminium
- Colour:** Poly powder coated black
- IP Rating:** IP65
- Lamp Base:** Built in LED
- CRI:** ≥80
- Cable Length:** 200mm
- Wiring:** Parallel
- Dimmable:** No
- Warranty:** 2 Years Replacement\*\*



## DIMENSIONS



### COLOUR TEMPERATURE

Tri-Colour By Havit

3000K

4000K

5500K




### IP RATING



### APPROVALS



## Product Ordering

IMAGE	PART NUMBER	COLOURTEMP	LUMENS	INPUT	BEAM ANGLE	INCLUDED LED
	<b>HV2925T-12V</b>	3000k 4000k 5500k	160lm 170lm 180lm	12v DC	120°	<b>TRI Colour</b> 2.3w Built in LED

12v DC models must be used with suitable 12v DC LED Driver

\* Lumen output measured at source

\*\* See Warranty Terms and Conditions for more information

For more information contact Havit Lighting

ADDRESS:  
143 Beauchamp Road  
Matraville NSW 2036  
Australia

Tel: 02 9381 8300  
Fax: 02 9666 8881  
Email: sales@havitt.com.au  
web: www.havitt.com.au