

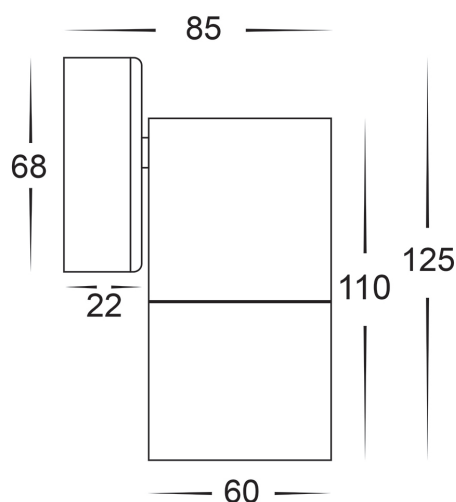
Aluminium Black Fixed Down Wall Pillar Lights

PRODUCT SPECIFICATIONS

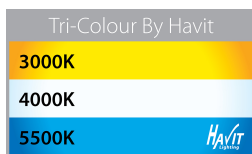
Name: Tivah
Material: Aluminium
Colour: Poly powder coated black
IP Rating: IP65
Lamp Base: GU10 or MR16
CRI: ≥80
Wiring: Parallel
Dimmable: No
Warranty: 2 Years Replacement**



DIMENSIONS



COLOUR TEMPERATURE



IP RATING



APPROVALS



Product Ordering

IMAGE	PART NUMBER	COLOUR TEMP	LUMENS	INPUT	BEAM ANGLE	INCLUDED LED
	HV1125T	3000K	240-560lm	240v	60°	9 in 1 Tri-Colour 3/5/7w GU10 LED
		4000K	255-595lm			
		5500K	270-630lm			
	HV1127GU10T	3000K	270lm	240v	120°	Tri-Colour 5w GU10 LED
		4000K	285lm			
		5500K	300lm			
	HV1127MR16T	3000K	270lm	12v DC	120°	Tri-Colour 5w MR16 LED
		4000K	285lm			
		5500K	300lm			

12v DC models must be used with suitable 12v DC LED Driver

* Lumen output measured at source

** See Warranty Terms and Conditions for more information

For more information contact Havit Lighting

ADDRESS:
 143 Beauchamp Road
 Matraville NSW 2036
 Australia

Tel: 02 9381 8300
 Fax: 02 9666 8881
 Email: sales@havit.com.au
 web: www.havit.com.au

Aluminium White Fixed Down Wall Pillar Lights

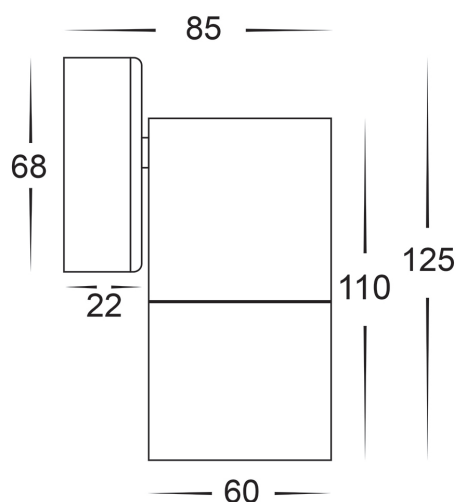


PRODUCT SPECIFICATIONS

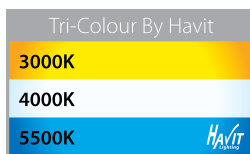
Name: Tivah
Material: Aluminium
Colour: Poly powder coated white
IP Rating: IP65
Lamp Base: GU10 or MR16
CRI: ≥80
Wiring: Parallel
Dimmable: No
Warranty: 2 Years Replacement**



DIMENSIONS



COLOUR TEMPERATURE



IP RATING



APPROVALS



Product Ordering

IMAGE	PART NUMBER	COLOUR TEMP	LUMENS	INPUT	BEAM ANGLE	INCLUDED LED
	HV1135T	3000K	240-560lm	240v	60°	9 in 1 Tri-Colour 3/5/7w GU10 LED
		4000K	255-595lm			
		5500K	270-630lm			
	HV1137GU10T	3000K	270lm	240v	120°	Tri-Colour 5w GU10 LED
		4000K	285lm			
		5500K	300lm			
	HV1137MR16T	3000K	270lm	12v DC	120°	Tri-Colour 5w MR16 LED
		4000K	285lm			
		5500K	300lm			

12v DC models must be used with suitable 12v DC LED Driver

* Lumen output measured at source

** See Warranty Terms and Conditions for more information

For more information contact Havit Lighting

ADDRESS:
 143 Beauchamp Road
 Matraville NSW 2036
 Australia

Tel: 02 9381 8300
 Fax: 02 9666 8881
 Email: sales@havitt.com.au
 web: www.havitt.com.au

Aluminium Silver Fixed Down Wall Pillar Lights

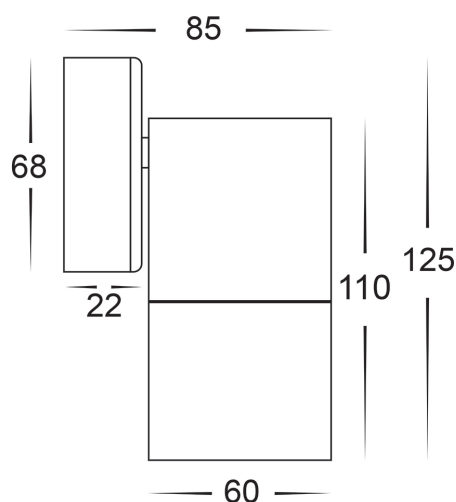


PRODUCT SPECIFICATIONS

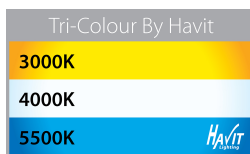
Name: Tivah
Material: Aluminium
Colour: Poly powder coated silver
IP Rating: IP65
Lamp Base: GU10 or MR16
CRI: ≥80
Wiring: Parallel
Dimmable: No
Warranty: 2 Years Replacement**



DIMENSIONS



COLOUR TEMPERATURE



IP RATING



APPROVALS



Product Ordering

IMAGE	PART NUMBER	COLOUR TEMP	LUMENS	INPUT	BEAM ANGLE	INCLUDED LED
	HV1145T	3000K	240-560lm	240v	60°	9 in 1 Tri-Colour 3/5/7w GU10 LED
		4000K	255-595lm			
		5500K	270-630lm			
	HV1147GU10T	3000K	270lm	240v	120°	Tri-Colour 5w GU10 LED
		4000K	285lm			
		5500K	300lm			
	HV1147MR16T	3000K	270lm	12v DC	120°	Tri-Colour 5w MR16 LED
		4000K	285lm			
		5500K	300lm			

12v DC models must be used with suitable 12v DC LED Driver

* Lumen output measured at source

** See Warranty Terms and Conditions for more information

For more information contact Havit Lighting

ADDRESS:
 143 Beauchamp Road
 Matraville NSW 2036
 Australia

Tel: 02 9381 8300
 Fax: 02 9666 8881
 Email: sales@havit.com.au
 web: www.havit.com.au

316 Stainless Steel Fixed Down Wall Pillar Lights

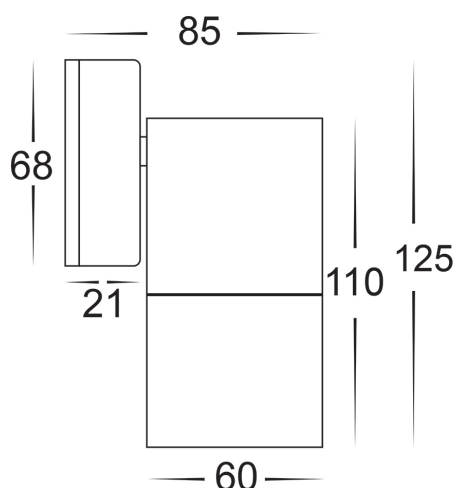


PRODUCT SPECIFICATIONS

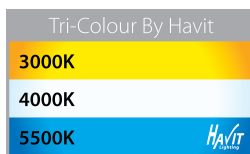
Name: Tivah
Material: 316 Stainless Steel
Colour: Stainless Steel
IP Rating: IP65
Lamp Base: GU10 or MR16
CRI: ≥80
Wiring: Parallel
Dimmable: No
Warranty: 2 Years Replacement**



DIMENSIONS



COLOUR TEMPERATURE



IP RATING



APPROVALS



Product Ordering

IMAGE	PART NUMBER	COLOUR TEMP	LUMENS	INPUT	BEAM ANGLE	INCLUDED LED
	HV1105T	3000K	240-560lm	240v	60°	9 in 1 Tri-Colour 3/5/7w GU10 LED
		4000K	255-595lm			
		5500K	270-630lm			
	HV1107GU10T	3000K	270lm	240v	120°	Tri-Colour 5w GU10 LED
		4000K	285lm			
		5500K	300lm			
	HV1107MR16T	3000K	270lm	12v DC	120°	Tri-Colour 5w MR16 LED
		4000K	285lm			
		5500K	300lm			

12v DC models must be used with suitable 12v DC LED Driver

* Lumen output measured at source

** See Warranty Terms and Conditions for more information

For more information contact Havit Lighting

ADDRESS:
 143 Beauchamp Road
 Matraville NSW 2036
 Australia

Tel: 02 9381 8300
 Fax: 02 9666 8881
 Email: sales@havitt.com.au
 web: www.havit.com.au

Copper Fixed Down Wall Pillar Lights

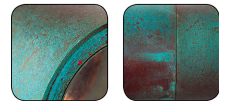
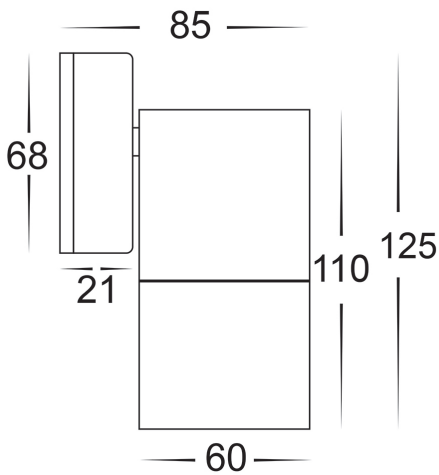


PRODUCT SPECIFICATIONS

Name: Tivah
Material: Copper
Colour: Copper (will age over time)
IP Rating: IP65
Lamp Base: GU10 or MR16
CRI: ≥80
Wiring: Parallel
Dimmable: No
Warranty: 2 Years Replacement**

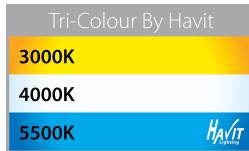


DIMENSIONS



Weathered Copper

COLOUR TEMPERATURE







IP RATING



APPROVALS



Product Ordering

IMAGE	PART NUMBER	COLOUR TEMP	LUMENS	INPUT	BEAM ANGLE	INCLUDED LED
	HV1115T	3000K	240-560lm	240v	60°	 9 in 1 Tri-Colour 3/5/7w GU10 LED
		4000K	255-595lm			
		5500K	270-630lm			
	HV1117GU10T	3000K	270lm	240v	120°	 Tri-Colour 5w GU10 LED
		4000K	285lm			
		5500K	300lm			
	HV1117MR16T	3000K	270lm	12v DC	120°	 Tri-Colour 5w MR16 LED
		4000K	285lm			
		5500K	300lm			

12v DC models must be used with suitable 12v DC LED Driver

* Lumen output measured at source

** See Warranty Terms and Conditions for more information

For more information contact Havit Lighting

ADDRESS:
 143 Beauchamp Road
 Matraville NSW 2036
 Australia

Tel: 02 9381 8300
 Fax: 02 9666 8881
 Email: sales@havit.com.au
 web: www.havit.com.au

Titanium Aluminium Fixed Down Wall Pillar Lights

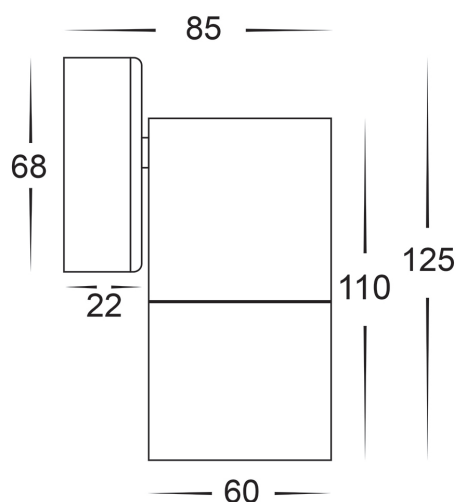


PRODUCT SPECIFICATIONS

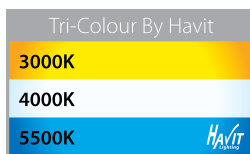
Name: Tivah
Material: Aluminium
Colour: Titanium
IP Rating: IP65
Lamp Base: GU10 or MR16
CRI: ≥80
Wiring: Parallel
Dimmable: No
Warranty: 2 Years Replacement**



DIMENSIONS



COLOUR TEMPERATURE



IP RATING



APPROVALS



Product Ordering

IMAGE	PART NUMBER	COLOUR TEMP	LUMENS	INPUT	BEAM ANGLE	INCLUDED LED
	HV1185T	3000K	240-560lm	240v	60°	9 in 1 Tri-Colour 3/5/7w GU10 LED
		4000K	255-595lm			
		5500K	270-630lm			
	HV1187GU10T	3000K	270lm	240v	120°	Tri-Colour 5w GU10 LED
		4000K	285lm			
		5500K	300lm			
	HV1187MR16T	3000K	270lm	12v DC	120°	Tri-Colour 5w MR16 LED
		4000K	285lm			
		5500K	300lm			

12v DC models must be used with suitable 12v DC LED Driver

* Lumen output measured at source

** See Warranty Terms and Conditions for more information

For more information contact Havit Lighting

ADDRESS:
 143 Beauchamp Road
 Matraville NSW 2036
 Australia

Tel: 02 9381 8300
 Fax: 02 9666 8881
 Email: sales@havit.com.au
 web: www.havit.com.au

Antique Brass Fixed Down Wall Pillar Lights

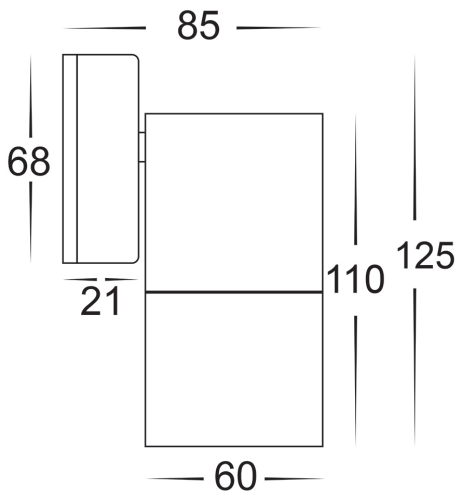


PRODUCT SPECIFICATIONS

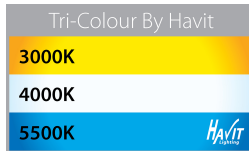
Name: Tivah
Material: Brass
Colour: Antique Brass
IP Rating: IP65
Lamp Base: GU10 or MR16
CRI: ≥80
Wiring: Parallel
Dimmable: No
Warranty: 2 Years Replacement**



DIMENSIONS



COLOUR TEMPERATURE



IP RATING



APPROVALS



Product Ordering

IMAGE	PART NUMBER	COLOUR TEMP	LUMENS	INPUT	BEAM ANGLE	INCLUDED LED
	HV1195T	3000K	240-560lm	240v	60°	9 in 1 Tri-Colour 3/5/7w GU10 LED
		4000K	255-595lm			
		5500K	270-630lm			
	HV1197GU10T	3000K	270lm	240v	120°	Tri-Colour 5w GU10 LED
		4000K	285lm			
		5500K	300lm			
	HV1197MR16T	3000K	270lm	12v DC	120°	Tri-Colour 5w MR16 LED
		4000K	285lm			
		5500K	300lm			

12v DC models must be used with suitable 12v DC LED Driver

* Lumen output measured at source

** See Warranty Terms and Conditions for more information

For more information contact Havit Lighting

ADDRESS:
 143 Beauchamp Road
 Matraville NSW 2036
 Australia

Tel: 02 9381 8300
 Fax: 02 9666 8881
 Email: sales@havit.com.au
 web: www.havit.com.au