

Last modification

2023-09-24

## HOFF TL-BKOM

9329501064795



Introducing the Hoff table and floor lamp, a sophisticated and elegant lighting option for any room in your home. The lamp features a simple black marble base, providing a sturdy and stable foundation for the antique gold body. The opal matt ribbed glass provides a warm and diffused light, making it perfect for reading or relaxing. The antique gold finish on the body gives the lamp a vintage and luxurious feel, making it a great choice for homes with a timeless aesthetic. With its unique combination of materials and design, the Hoff table and floor lamp is sure to be a stylish and functional addition to your home.

### Overview

<b>Family name</b>	Hoff
<b>Categories</b>	Table Lamps
<b>This item includes</b>	Glass
<b>Shade Shape</b>	Dome
<b>Switch</b>	Inline Switch
<b>Usage</b>	Indoor Lighting
<b>ERAC Product Registration</b>	SAA-210304-EA

### Color / Material

<b>Fixture Color</b>	Antique Gold, Black Marble, Opal Matt
<b>Fixture Material</b>	Glass, Iron, Marble
<b>Shade Material</b>	Glass
<b>Base Color</b>	Antique Gold, Black Marble
<b>Base Material</b>	Iron, Marble
<b>Glass Color</b>	Opal Matt
<b>Cable Color</b>	Black
<b>Cable Material</b>	PVC

### Size

<b>Fixture Length (cm)</b>	26.5
<b>Fixture Width (cm)</b>	19.5
<b>Fixture Height (cm)</b>	49.0
<b>Base Diameter (cm)</b>	18.0
<b>Base Height (cm)</b>	49.0
<b>Glass Diameter</b>	19.50
<b>Glass Height (cm)</b>	13.0

All representations within this document are subject to copyright. ELECTRICAL INSTALLATIONS MUST BE PERFORMED BY A QUALIFIED ELECTRICAL CONTRACTOR AND INSTALLED IN ACCORDANCE WITH AS/NZS 3000.  
NOTE : All images , descriptions and dimensions are indicative. Please check latest version of item detail on Telbix website prior to ordering or installation.

**Cable Length (cm)** 180 (30+Inline Switch+150)

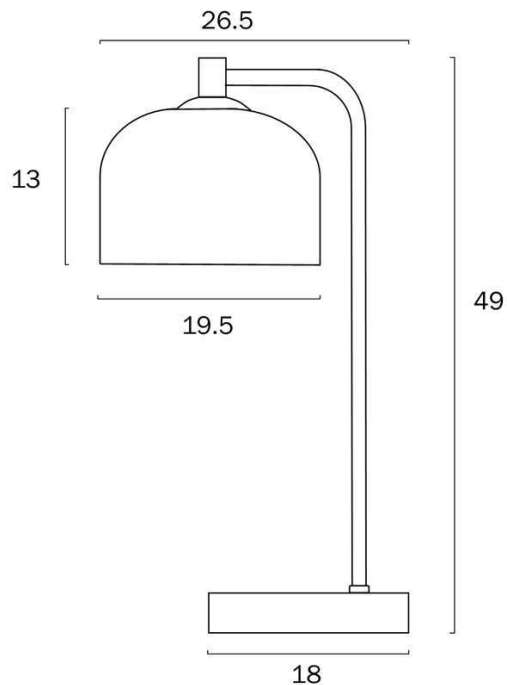
## Specification

**Voltage Input** 240V  
**Total Wattage (max)** 25  
**Globe Type** E27  
**Globe / Light Source qty** 1  
**Globe / Light Source included** No  
**Dimmable** Globe Dependant  
**Electrical Protection** CLASS II - DOUBLE INSULATED, EARTH NOT REQUIRED  
**IP rating** IP20  
**Lead and Plug** Yes  
**Approvals** RCM  
**Assembly Required** Yes  
**Box Contents** Instruction  
**Care Instructions** Do not use strong liquid cleaners, Wipe clean with a dry cloth  
**Replacement Warranty** \*3 Years

## Barcode

**GTIN** 9329501064795

## Image -dimensions



Note: Dimensions are only a guide and may vary due to manufacturing variations.



