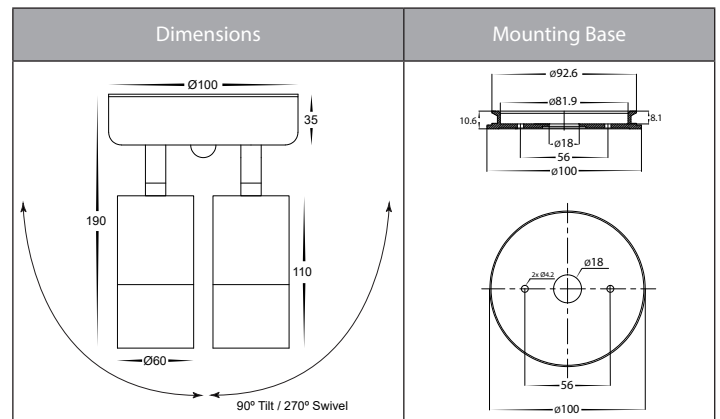
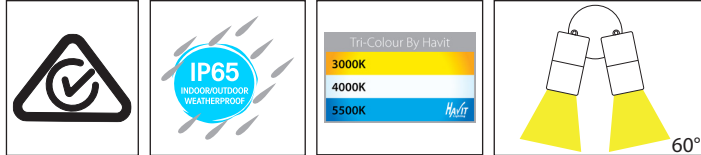


Tivah Aluminium White Double Adjustable Sensor Spot Lights



Product Specifications

Name	Tivah
Material	Aluminium
Colour	Poly Powder Coated White
IP Rating	IP65
Installation Type	Wall or Ceiling - Surface Mounted
Lamp Base	Available in Either GU10 or Built in LED
Protection Class	240v = 1 (Requires Earth)
Max Wattage	2x 35w GU10 2x 12w Built in LED
Lamp Expectancy	<30,000hrs
Diffuser Type	Clear Glass
CRI	CRI>80
Sensor Range	Up to 10m
Sensor Detection	120°
Manual Override	Yes
Settings	Adjustable Lux and Time on Sensor
Dimmable	No
IK Rating	IK10
Warranty	3 Years Replacement*



Product Ordering

Part Number	Colour Temp	Lumens	Input Voltage	Beam Angle	Included LED	Barcode
HV1335T-PIR	3000k 4000k 5500k	2x 240-560lm 2x 255-595lm 2x 270-630lm	240v AC	60°	TRI Colour 2x 3/5/7w GU10 LED	9350418029256
HV1336T-PIR	3000k 4000k 5500k	2x 1080lm 2x 1140lm 2x 1200lm	240v AC	60°	TRI Colour 2x 12w Built in LED	9350418029263

*Items ordered after 01-01-2022

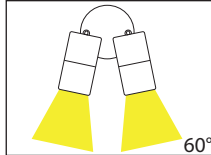
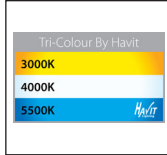


Tivah 316 Stainless Steel Double Adjustable Sensor Spot Lights



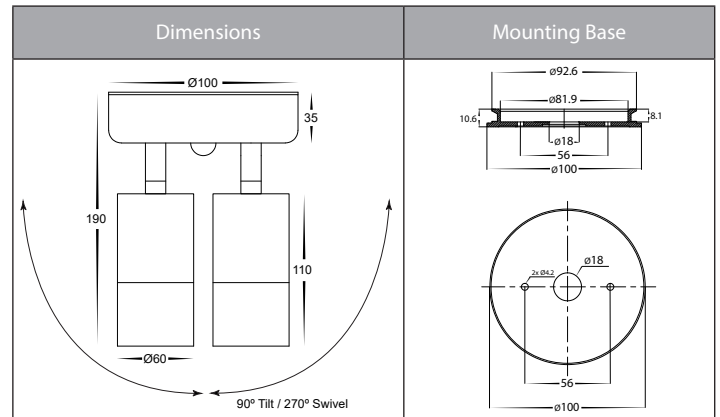
Product Specifications

Name	Tivah
Material	316 Stainless Steel
Colour	Stainless Steel
IP Rating	IP65
Installation Type	Wall or Ceiling - Surface Mounted
Lamp Base	Available in Either GU10 or Built in LED
Protection Class	240v = 1 (Requires Earth)
Max Wattage	2x 35w GU10 2x 12w Built in LED
Lamp Expectancy	<30,000hrs
Diffuser Type	Clear Glass
CRI	CRI>80
Sensor Range	Up to 10m
Sensor Detection	120°
Manual Override	Yes
Settings	Adjustable Lux and Time on Sensor
Dimmable	No
IK Rating	IK10
Warranty	3 Years Replacement*



Optional Havit Compatible Accessories

Image	Part Number	Description
	HV9971	Stainless Steel Maintenance Kit - Kit includes rejuvenating paste + Spray for final protection coating



Product Ordering

Part Number	Colour Temp	Lumens	Input Voltage	Beam Angle	Included LED	Barcode
HV1305T-PIR	3000k 4000k 5500k	2x 240-560lm 2x 255-595lm 2x 270-630lm	240v AC	60°	TRI Colour 2x 3/5/7w GU10 LED	9350418029218
HV1306T-PIR	3000k 4000k 5500k	2x 1080lm 2x 1140lm 2x 1200lm	240v AC	60°	TRI Colour 2x 12w Built in LED	9350418029225

*Items ordered after 01-01-2022

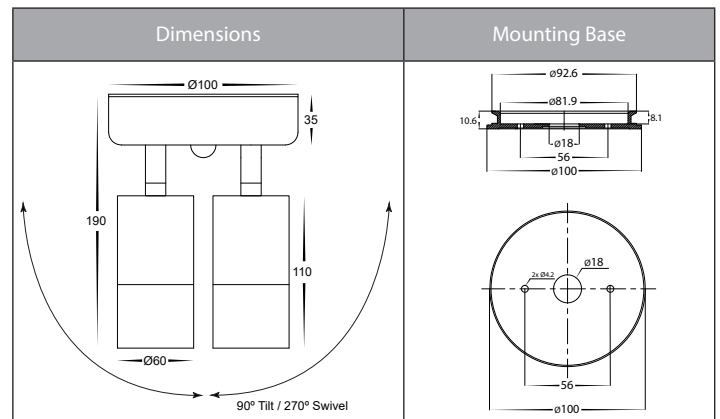
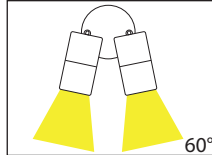
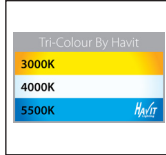


Tivah Aluminium Black Double Adjustable Sensor Spot Lights



Product Specifications

Name	Tivah
Material	Aluminium
Colour	Poly Powder Coated Black
IP Rating	IP65
Installation Type	Wall or Ceiling - Surface Mounted
Lamp Base	Available in Either GU10 or Built in LED
Protection Class	240v = 1 (Requires Earth)
Max Wattage	2x 35w GU10 2x 12w Built in LED
Lamp Expectancy	<30,000hrs
Diffuser Type	Clear Glass
CRI	CRI>80
Sensor Range	Up to 10m
Sensor Detection	120°
Manual Override	Yes
Settings	Adjustable Lux and Time on Sensor
Dimmable	No
IK Rating	IK10
Warranty	3 Years Replacement*



Product Ordering

Part Number	Colour Temp	Lumens	Input Voltage	Beam Angle	Included LED	Barcode
HV1325T-PIR	3000k 4000k 5500k	2x 240-560lm 2x 255-595lm 2x 270-630lm	240v AC	60°	TRI Colour 2x 3/5/7w GU10 LED	9350418029232
HV1326T-PIR	3000k 4000k 5500k	2x 1080lm 2x 1140lm 2x 1200lm	240v AC	60°	TRI Colour 2x 12w Built in LED	9350418029249

*Items ordered after 01-01-2022

