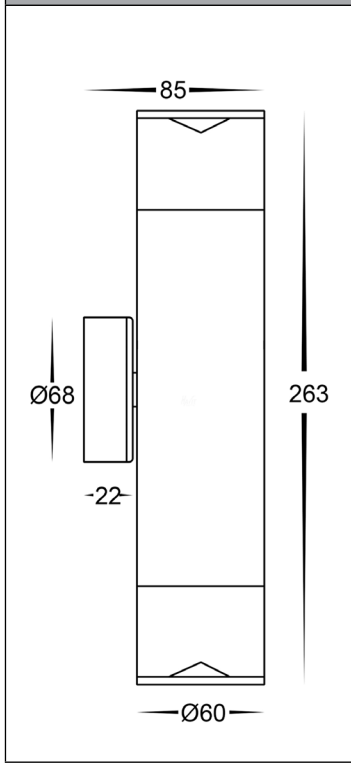


# Aluminium Up & Down Wall Pillar Light

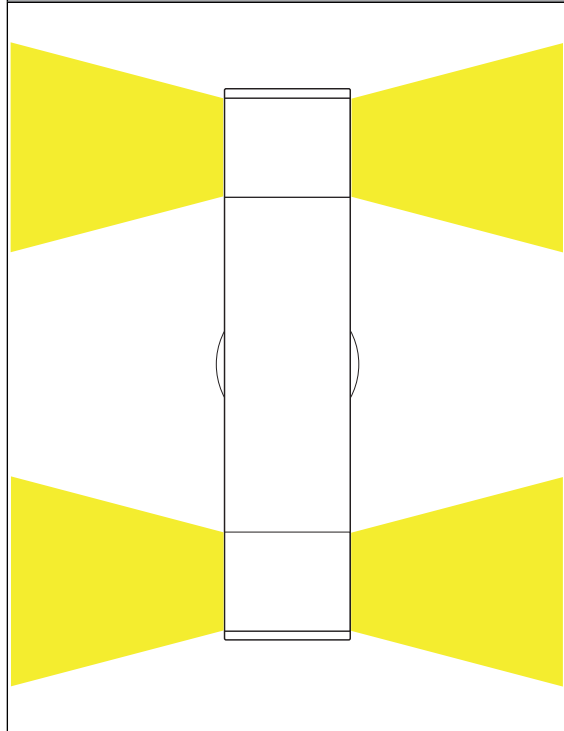
## PRODUCT SPECIFICATIONS

Name	Highlite
Material	Aluminium
Colour	Titanium or Black
IP Rating	IP65
Lamp Base	GU10
CRI	> 80
Wiring	Parallel
Dimmable	No
Warranty	3 Years Replacement

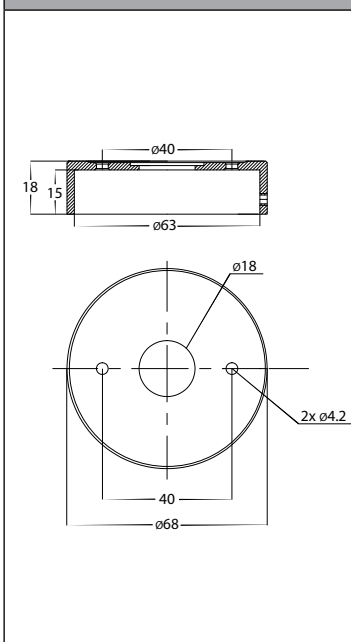
## DIMENSIONS



## LIGHT DISTRIBUTION



## MOUNTING BASE



## COLOUR TEMP

## IP RATING

## APPROVAL

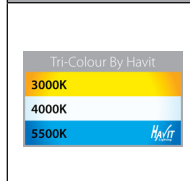


IMAGE	PART NUMBER	COLOUR TEMP	LUMENS	INPUT VOLTAGE	BEAM ANGLE	INCLUDED LED
	<b>HV1089T-TTM-240V</b>	3000K 4000K 5000K	2x 270lm 2x 285lm 2x 300lm	12v DC	120°	<b>TRI Colour</b> 2x 5w GU10 LED
	<b>HV1089T-BLK-240V</b>	3000K 4000K 5000K	2x 270lm 2x 285lm 2x 300lm	12v DC	120°	<b>TRI Colour</b> 2x 5w GU10 LED

For More Information Contact Havit Lighting

143 Beauchamp Road  
Matraville NSW 2036  
Australia

Tel: 02 9381 83000  
Fax: 02 9666 888  
Email: sales@havit.com.au  
Web: www.havit.com.au



Warranty terms & conditions



Additional information