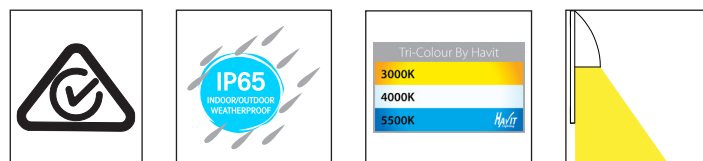


Elite Aluminium Recessed Wall or Step Lights with Eyelid



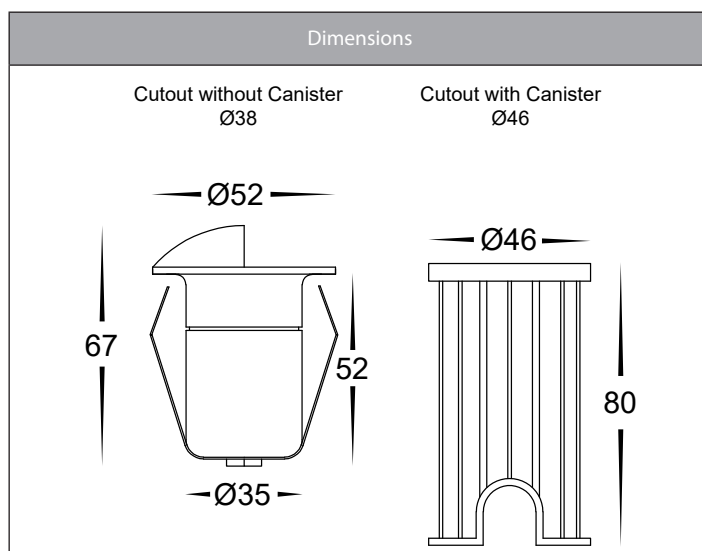
Product Specifications

Name	Elite
Material	Aluminium
Colour	Silver or Poly Powder Coated Black
IP Rating	IP65
Installation Type	Wall - Recessed
Lamp Base	Built in LED
Max Wattage	3w
Protection Class	3 (No Earth Required)
Lamp Expectancy	<30,000hrs
Diffuser Type	Plastic
Cable Length	500mm
CRI	CRI>80
Dimmable	Yes - Triac
IK Rating	IK08
Warranty	3 Years Replacement*



Optional Havit Compatible Accessories

Image	Part Number	Description
	12v DC LED Drivers	See Catalogue or Website for full range of 12v DC LED Drivers
	12v DC Dimmable LED Drivers	See Catalogue or Website for full range of 12v DC Dimmable LED Drivers
	HV9625	Triac Dimmer when used with Triac Dimmable Drivers
	HV9911	Small IP67 Weatherproof Connector
	HV9912	Medium IP67 Weatherproof Connector
	HV9913	Large IP67 Weatherproof Connector



Product Ordering

Image	Part Number	Colour Temp	Lumens	Input Voltage	Beam Angle	Included LED	Barcode
	HV2883T-BLK-12V	3000k 4000k 5500k	220lm 230lm 235lm	12v DC	36°	TRI Colour 3w Built in LED	9350418028228
	HV2883T-SLV-12V	3000k 4000k 5500k	220lm 230lm 235lm	12v DC	36°	TRI Colour 3w Built in LED	9350418028235

*Items ordered after 01-01-2022

Havit Lighting
143 Beauchamp Road,
Matraville, N.S.W. 2036

Phone: 02 9381 8300
Email: sales@havit.com.au
Web: www.havit.com.au



Warranty Terms & Conditions



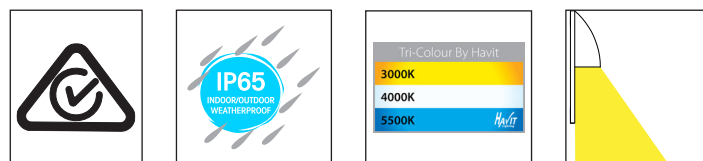
www.havit.com.au

Elite Aluminium Recessed Wall or Step Lights with Eyelid



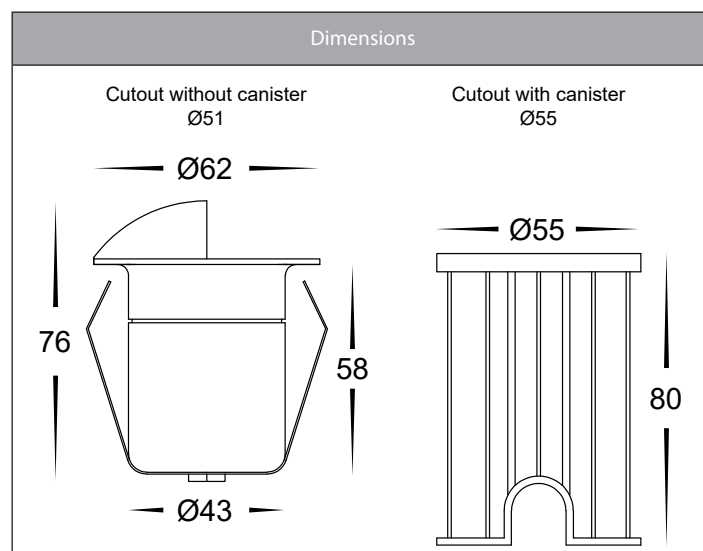
Product Specifications

Name	Elite
Material	Aluminium
Colour	Silver or Poly Powder Coated Black
IP Rating	IP65
Installation Type	Wall - Recessed
Lamp Base	Built in LED
Max Wattage	5w
Protection Class	3 (No Earth Required)
Lamp Expectancy	<30,000hrs
Diffuser Type	Plastic
Cable Length	500mm
CRI	CRI>80
Dimmable	Yes - Triac
IK Rating	IK08
Warranty	3 Years Replacement*



Optional Havit Compatible Accessories

Image	Part Number	Description
	12v DC LED Drivers	See Catalogue or Website for full range of 12v DC LED Drivers
	12v DC Dimmable LED Drivers	See Catalogue or Website for full range of 12v DC Dimmable LED Drivers
	HV9625	Triac Dimmer when used with Triac Dimmable Drivers
	HV9911	Small IP67 Weatherproof Connector
	HV9912	Medium IP67 Weatherproof Connector
	HV9913	Large IP67 Weatherproof Connector



Product Ordering

Image	Part Number	Colour Temp	Lumens	Input Voltage	Beam Angle	Included LED	Barcode
	HV2884T-BLK-12V	3000k 4000k 5500k	350lm 360lm 355lm	12v DC	36°	TRI Colour 5w Built in LED	9350418028242
	HV2884T-SLV-12V	3000k 4000k 5500k	350lm 360lm 355lm	12v DC	36°	TRI Colour 5w Built in LED	9350418028259

*Items ordered after 01-01-2022

