

Last modification

2022-12-01

## HAVARD EX23-BK

9329501051887



### Overview

<b>Family name</b>	Havard
<b>Categories</b>	Coach Lights
<b>Mounting</b>	Surface
<b>This item includes</b>	Glass
<b>Usage</b>	Outdoor Lighting,Trade Selection

### Color / Material

<b>Fixture Color</b>	Black,Frost
<b>Fixture Material</b>	Metal
<b>Canopy Color</b>	Black
<b>Diffuser Material</b>	Glass
<b>Glass Color</b>	Frost

### Size

<b>Fixture Length (cm)</b>	23.0
<b>Fixture Height (cm)</b>	56.0
<b>Fixture Projection (cm)</b>	33.5
<b>Base Length (cm)</b>	11.5
<b>Base Width (cm)</b>	2.0
<b>Base Height (cm)</b>	20.0

### Specification

<b>Voltage Input</b>	240V
<b>Wattage (max)</b>	25
<b>Globe Type</b>	E27
<b>Globe / Light Source qty</b>	1
<b>Globe / Light Source included</b>	No
<b>Dimmable</b>	No
<b>Electrical Protection</b>	CLASS I - HIGH VOLTAGE, EARTH REQUIRED
<b>IP rating</b>	IP44
<b>Lead and Plug</b>	No
<b>Approvals</b>	RCM

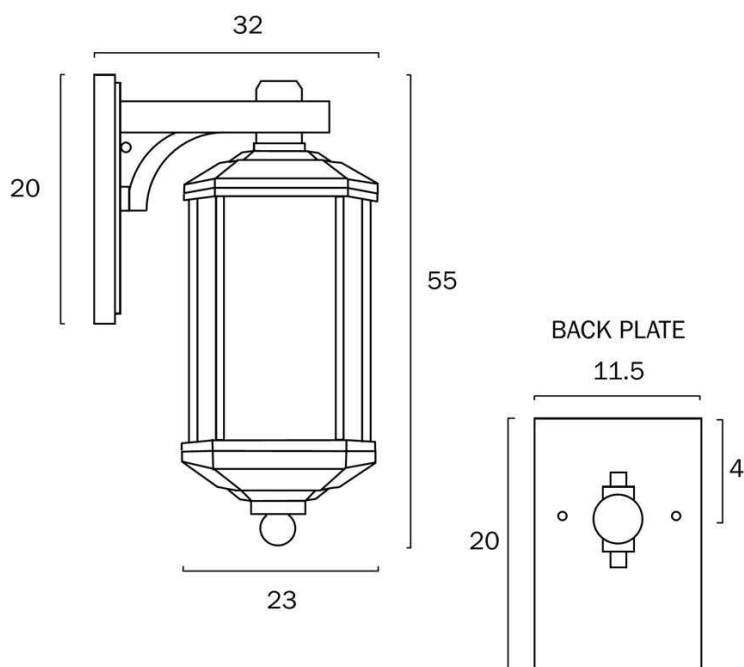
All representations within this document are subject to copyright.ELECTRICAL INSTALLATIONS MUST BE PERFORMED BY A QUALIFIED ELECTRICAL CONTRACTOR AND INSTALLED IN ACCORDANCE WITH AS/NZS 3000.  
NOTE : All images , descriptions and dimensions are indicative. Please check latest version of item detail on Telbix website prior to ordering or installation.

<b>Box Contents</b>	Basic mounting screws, Instruction
<b>Installation Required</b>	Yes (by Licensed Electrician only)
<b>Care Instructions</b>	Do not use strong liquid cleaners, Wipe clean with a dry cloth
<b>Replacement Warranty</b>	*3 Years

Barcode

**GTIN** 9329501051887

Image -dimensions



Note: Dimensions are only a guide and may vary due to manufacturing variations.



