

Last modification 2022-11-30

GL GU10LEDFW6-83
9329501056233



This ideal replacement for halogen lamps, the FW series GU10 globes are a high performance LED that aims to produce a clean crisp light output and look of a dichroic halogen spotlight but with all the benefits of an LED light. This globe is the perfect complement for many existing luminaires, including exposed fittings in lamps and spotlights. Extremely high efficiency, non-dimmable and available in 3 color temperatures.

Overview

Family name	G10 FOCAL WIDE
Categories	Globes
Usage	Indoor Lighting,Trade Selection

Color / Material

Fixture Color	Clear
Fixture Material	Plastic
Shade Material	Polycarbonate
Diffuser Color	Clear
Diffuser Material	Plastic

Size

Fixture Diameter (cm)	4.9
Fixture Height (cm)	5.5

Specification

Voltage Input	240V
Wattage (max)	6
Globe Type	GU10
Lumens	480
Color Temperature	Warm White
Color Kelvin	3000k
Color Rendering	>83
Dimmable	No
Surge Protection	Yes (0.5 Kva)
Beam Angle (degree)	38

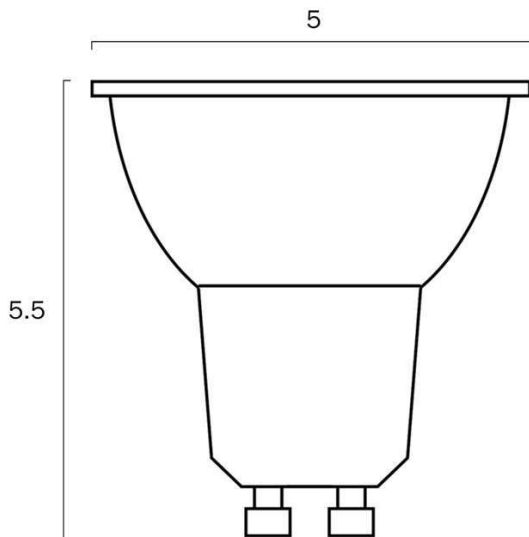
All representations within this document are subject to copyright. ELECTRICAL INSTALLATIONS MUST BE PERFORMED BY A QUALIFIED ELECTRICAL CONTRACTOR AND INSTALLED IN ACCORDANCE WITH AS/NZS 3000.
NOTE : All images , descriptions and dimensions are indicative. Please check latest version of item detail on Telbix website prior to ordering or installation.

IP rating	IP20
Approvals	RCM
Care Instructions	Wipe clean with a dry cloth
Replacement Warranty	*3 Years

Barcode

GTIN 9329501056233

Image -dimensions



Globe Type Recommended

Label	Color Temperature	Thumbnail	GTIN
GL GU10LED5LD			
GL GU10LED6W6			



Last modification 2022-11-30

GL GU10LEDFW6-84
9329501056240



This ideal replacement for halogen lamps, the FW series GU10 globes are a high performance LED that aims to produce a clean crisp light output and look of a dichroic halogen spotlight but with all the benefits of an LED light. This globe is the perfect complement for many existing luminaires, including exposed fittings in lamps and spotlights. Extremely high efficiency, non-dimmable and available in 3 color temperatures.

Overview

Family name	G10 FOCAL WIDE
Categories	Globes
Usage	Indoor Lighting,Trade Selection

Color / Material

Fixture Color	Clear
Fixture Material	Plastic
Shade Material	Polycarbonate
Diffuser Color	Clear
Diffuser Material	Plastic

Size

Fixture Diameter (cm)	4.9
Fixture Height (cm)	5.5

Specification

Voltage Input	240V
Wattage (max)	6
Globe Type	GU10
Lumens	490
Color Temperature	Natural White
Color Kelvin	4000k
Color Rendering	>83
Dimmable	No
Surge Protection	Yes (0.5 Kva)
Beam Angle (degree)	38

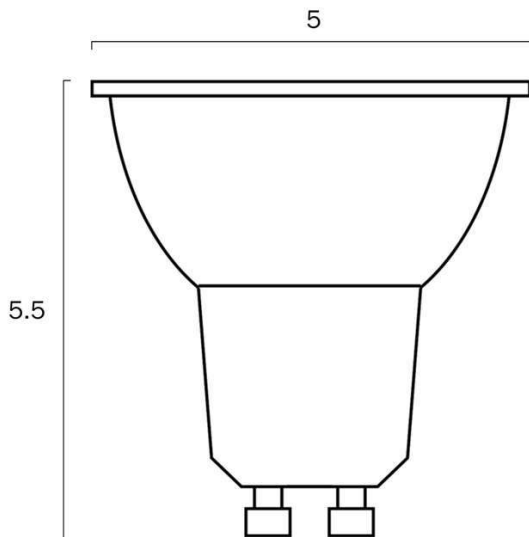
All representations within this document are subject to copyright. ELECTRICAL INSTALLATIONS MUST BE PERFORMED BY A QUALIFIED ELECTRICAL CONTRACTOR AND INSTALLED IN ACCORDANCE WITH AS/NZS 3000.
NOTE : All images , descriptions and dimensions are indicative. Please check latest version of item detail on Telbix website prior to ordering or installation.

IP rating	IP20
Approvals	RCM
Care Instructions	Wipe clean with a dry cloth
Replacement Warranty	*3 Years

Barcode

GTIN 9329501056240

Image -dimensions



Globe Type Recommended

Label	Color Temperature	Thumbnail	GTIN
GL GU10LED5LD			
GL GU10LED6W6			



Last modification 2022-11-30

GL GU10LEDFW6-86
9329501056257



This ideal replacement for halogen lamps, the FW series GU10 globes are a high performance LED that aims to produce a clean crisp light output and look of a dichroic halogen spotlight but with all the benefits of an LED light. This globe is the perfect complement for many existing luminaires, including exposed fittings in lamps and spotlights. Extremely high efficiency, non-dimmable and available in 3 color temperatures.

Overview

Family name	G10 FOCAL WIDE
Categories	Globes
Usage	Indoor Lighting,Trade Selection

Color / Material

Fixture Color	Clear
Fixture Material	Plastic
Shade Material	Polycarbonate
Diffuser Color	Clear
Diffuser Material	Plastic

Size

Fixture Diameter (cm)	4.9
Fixture Height (cm)	5.5

Specification

Voltage Input	240V
Wattage (max)	6
Globe Type	GU10
Lumens	500
Color Temperature	Daylight
Color Kelvin	6000k
Color Rendering	>83
Dimmable	No
Surge Protection	Yes (0.5 Kva)
Beam Angle (degree)	38

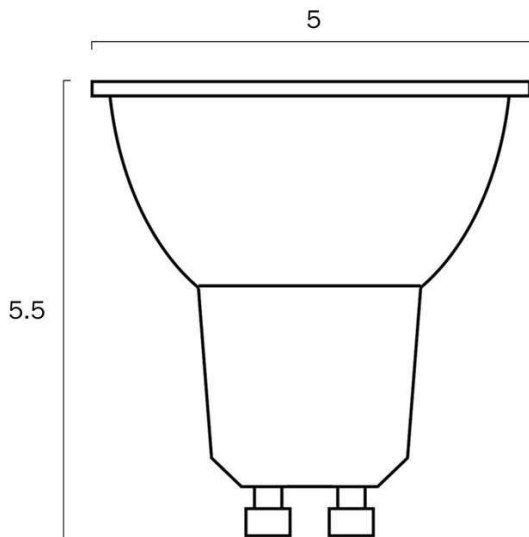
All representations within this document are subject to copyright. ELECTRICAL INSTALLATIONS MUST BE PERFORMED BY A QUALIFIED ELECTRICAL CONTRACTOR AND INSTALLED IN ACCORDANCE WITH AS/NZS 3000.
NOTE : All images , descriptions and dimensions are indicative. Please check latest version of item detail on Telbix website prior to ordering or installation.

IP rating	IP20
Approvals	RCM
Care Instructions	Wipe clean with a dry cloth
Replacement Warranty	*3 Years

Barcode

GTIN 9329501056257

Image -dimensions



Globe Type Recommended

Label	Color Temperature	Thumbnail	GTIN
GL GU10LED5LD			
GL GU10LED6W6			

