

Last modification 2022-11-30

GL GU10LED5LD-83
9329501046470



Overview

Family name	G10
Categories	Globes
Usage	Indoor Lighting,Trade Selection

Color / Material

Fixture Color	Clear,White
Fixture Material	Polycarbonate
Shade Material	Polycarbonate
Diffuser Color	Clear
Diffuser Material	Polycarbonate

Size

Fixture Diameter (cm)	5.0
Fixture Height (cm)	5.5

Specification

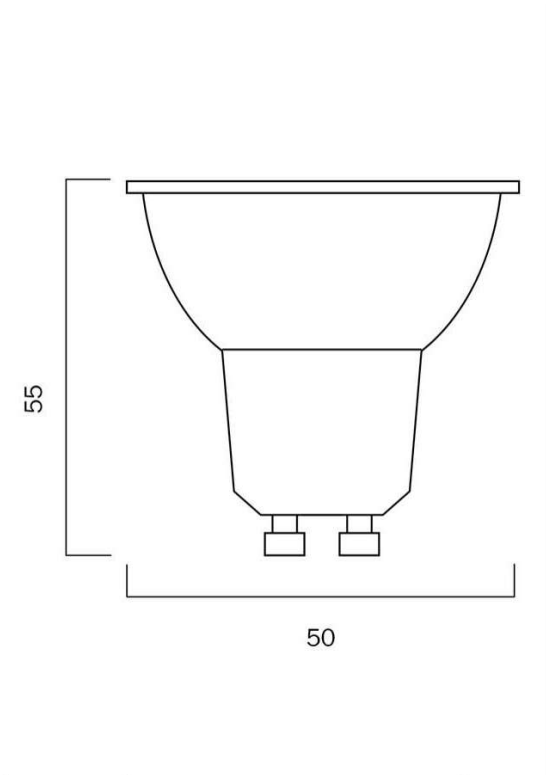
Voltage Input	240V
Wattage (max)	5
Globe Type	GU10
Lumens	500
Color Temperature	Warm White
Color Kelvin	3000k
Color Rendering	>80
Dimmable	Yes
Surge Protection	Yes (0.5 Kva)
Beam Angle (degree)	60
IP rating	IP20
Approvals	RCM
Care Instructions	Wipe clean with a dry cloth
Replacement Warranty	*3 Years

All representations within this document are subject to copyright.ELECTRICAL INSTALLATIONS MUST BE PERFORMED BY A QUALIFIED ELECTRICAL CONTRACTOR AND INSTALLED IN ACCORDANCE WITH AS/NZS 3000.
NOTE : All images , descriptions and dimensions are indicative. Please check latest version of item detail on Telbix website prior to ordering or installation.

Barcode

GTIN 9329501046470

Image -dimensions



Globe Type Recommended

Label	Color Temperature	Thumbnail	GTIN
GL GU10LED5LD			
GL GU10LED6W6			



Last modification 2022-11-30

GL GU10LED5LD-84
9329501062302



Overview

Family name	G10
Categories	Globes
Usage	Indoor Lighting,Trade Selection

Color / Material

Fixture Color	Clear,White
Fixture Material	Polycarbonate
Shade Material	Polycarbonate
Diffuser Color	Clear
Diffuser Material	Polycarbonate

Size

Fixture Diameter (cm)	5.0
Fixture Height (cm)	5.5

Specification

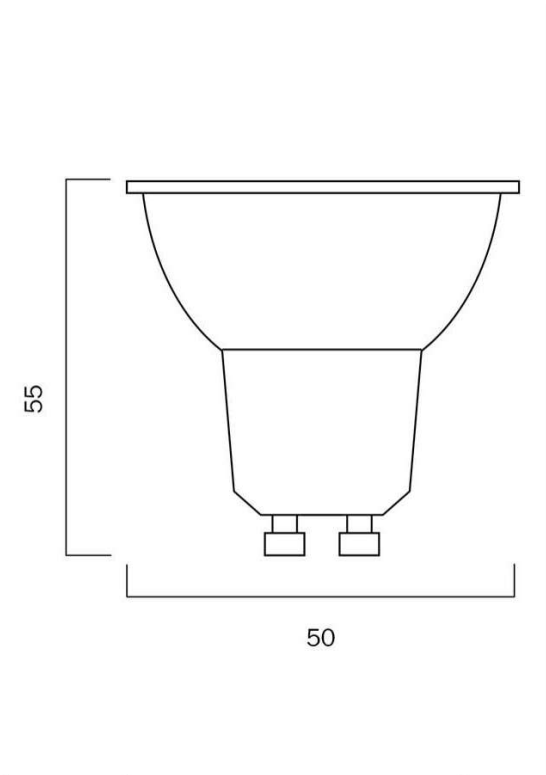
Voltage Input	240V
Wattage (max)	5
Globe Type	GU10
Lumens	540
Color Temperature	Natural White
Color Kelvin	4000k
Color Rendering	>85
Dimmable	Yes
Surge Protection	Yes (0.5 Kva)
Beam Angle (degree)	60
IP rating	IP20
Approvals	RCM
Care Instructions	Wipe clean with a dry cloth
Replacement Warranty	*3 Years

All representations within this document are subject to copyright. ELECTRICAL INSTALLATIONS MUST BE PERFORMED BY A QUALIFIED ELECTRICAL CONTRACTOR AND INSTALLED IN ACCORDANCE WITH AS/NZS 3000.
NOTE : All images , descriptions and dimensions are indicative. Please check latest version of item detail on Telbix website prior to ordering or installation.

Barcode

GTIN 9329501062302

Image -dimensions



Globe Type Recommended

Label	Color Temperature	Thumbnail	GTIN
GL GU10LED5LD			
GL GU10LED6W6			



Last modification 2022-11-30

GL GU10LED5LD-85
9329501046487



Overview

Family name	G10
Categories	Globes
Usage	Indoor Lighting,Trade Selection

Color / Material

Fixture Color	Clear,White
Fixture Material	Polycarbonate
Shade Material	Polycarbonate
Diffuser Color	Clear
Diffuser Material	Polycarbonate

Size

Fixture Diameter (cm)	5.0
Fixture Height (cm)	5.5

Specification

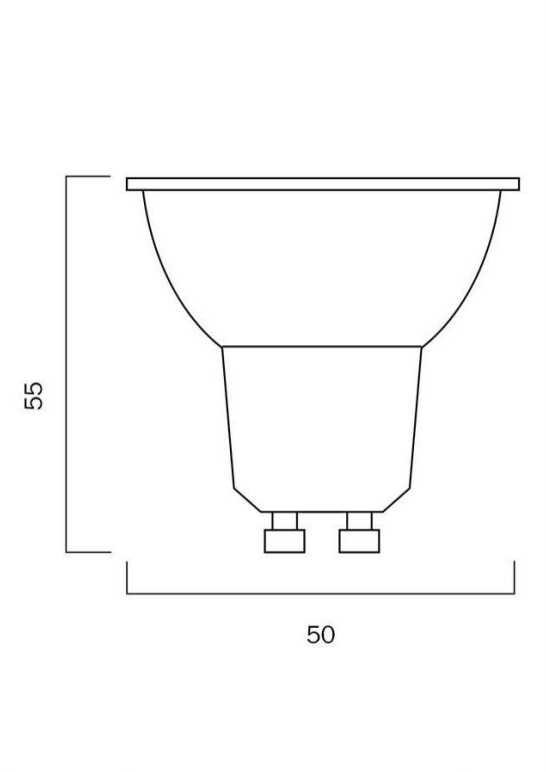
Voltage Input	240V
Wattage (max)	5
Globe Type	GU10
Lumens	540
Color Temperature	Cool White
Color Kelvin	5000k
Color Rendering	>85
Dimmable	Yes
Surge Protection	Yes (0.5 Kva)
Beam Angle (degree)	60
IP rating	IP20
Approvals	RCM
Care Instructions	Wipe clean with a dry cloth
Replacement Warranty	*3 Years

All representations within this document are subject to copyright.ELECTRICAL INSTALLATIONS MUST BE PERFORMED BY A QUALIFIED ELECTRICAL CONTRACTOR AND INSTALLED IN ACCORDANCE WITH AS/NZS 3000.
NOTE : All images , descriptions and dimensions are indicative. Please check latest version of item detail on Telbix website prior to ordering or installation.

Barcode

GTIN 9329501046487

Image -dimensions



Globe Type Recommended

Label	Color Temperature	Thumbnail	GTIN
GL GU10LED5LD			
GL GU10LED6W6			

