

Last modification 2022-11-29

GIBSON WB-AB
9329501026038



Overview

Family name	Gibson
Categories	Wall Lights
Mounting	Surface
This item includes	Glass
Switch	Button switch on base
Usage	Indoor Lighting,Trade Selection

Color / Material

Fixture Color	Antique Brass,Frost
Fixture Material	Metal
Canopy Color	Antique Brass
Shade Material	Glass
Glass Color	Frost

Size

Fixture Diameter (cm)	10.5
Fixture Projection (cm)	21.0

Specification

Voltage Input	240V
Wattage (max)	14
Globe Type	E27
Globe / Light Source qty	1
Globe / Light Source included	No
Dimmable	No
Electrical Protection	CLASS II - DOUBLE INSULATED, EARTH NOT REQUIRED
IP rating	IP20
Lead and Plug	Yes
Approvals	RCM
Box Contents	Basic mounting screws,Instruction
Installation Required	Yes (by Licensed Electrician only)
Care Instructions	Do not use strong liquid cleaners,Wipe clean with a dry cloth

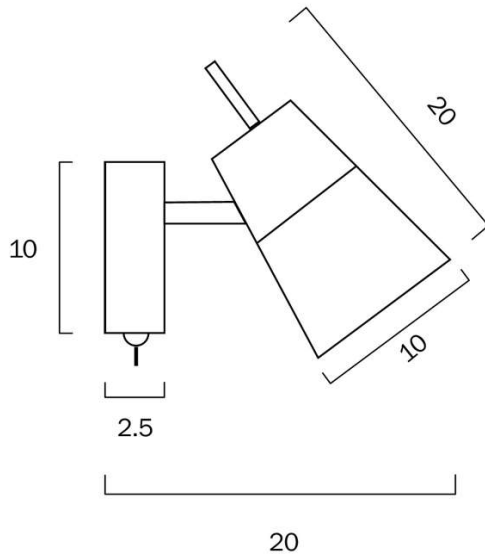
All representations within this document are subject to copyright.ELECTRICAL INSTALLATIONS MUST BE PERFORMED BY A QUALIFIED ELECTRICAL CONTRACTOR AND INSTALLED IN ACCORDANCE WITH AS/NZS 3000.
NOTE : All images , descriptions and dimensions are indicative. Please check latest version of item detail on Telbix website prior to ordering or installation.

Replacement Warranty *3 Years

Barcode

GTIN 9329501026038

Image -dimensions





Last modification 2022-11-29

GIBSON WB-NK 9329501026045



Overview

Family name	Gibson
Categories	Wall Lights
Mounting	Surface
This item includes	Glass
Switch	Button switch on base
Usage	Indoor Lighting,Trade Selection

Color / Material

Fixture Color	Frost,Nickel
Fixture Material	Metal
Canopy Color	Nickel
Shade Material	Glass
Glass Color	Frost

Size

Fixture Diameter (cm)	10.5
Fixture Projection (cm)	21.0

Specification

Voltage Input	240V
Wattage (max)	14
Globe Type	E27
Globe / Light Source qty	1
Globe / Light Source included	No
Dimmable	No
Electrical Protection	CLASS II - DOUBLE INSULATED, EARTH NOT REQUIRED
IP rating	IP20
Lead and Plug	Yes
Approvals	RCM
Box Contents	Basic mounting screws,Instruction
Installation Required	Yes (by Licensed Electrician only)
Care Instructions	Do not use strong liquid cleaners,Wipe clean with a dry cloth

All representations within this document are subject to copyright.ELECTRICAL INSTALLATIONS MUST BE PERFORMED BY A QUALIFIED ELECTRICAL CONTRACTOR AND INSTALLED IN ACCORDANCE WITH AS/NZS 3000.
NOTE : All images , descriptions and dimensions are indicative. Please check latest version of item detail on Telbix website prior to ordering or installation.

Replacement Warranty *3 Years

Barcode

GTIN 9329501026045

Image -dimensions

