



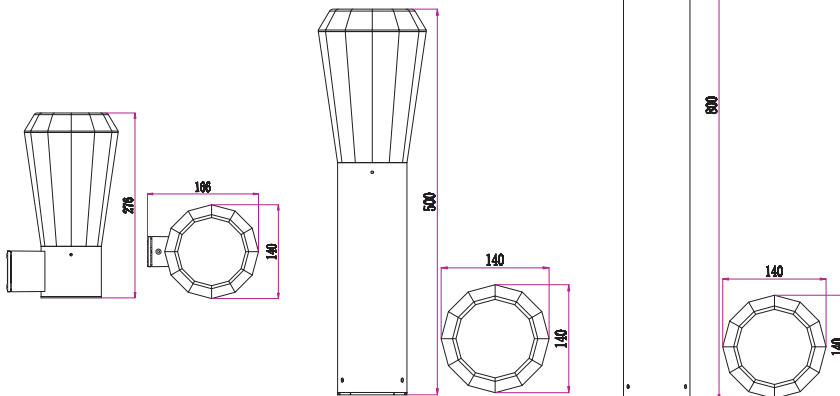
GEB SERIES

Exterior LED Surface Mounted Wall & Bollard Lights

Product Features:

- Exterior LED surface mounted wall & bollard lights
- Input voltage rang: 100-240V 50/60Hz
- Output voltage range: 18-42V
- Material: aluminium post, die-cast & PC
- LED chips: 12pcs 3030
- Power factor: >0.5
- Ambient temp: -20 to 50°C
- Not suitable for dimming
- Suitable for 2 way switching
- Suitable for use with PIR or Microwave sensors

30,000hr Lifetime	120° Beam Angle	IP54 Rated	3YEAR Replacement Warranty
-------------------	-----------------	-------------------	-----------------------------------



PART NO.	DESCRIPTION	KELVIN (K)	LUMENS (LM)	WATT (W)	CRI	WEIGHT (KG)	BOX (CM)	CARTON QTY
GEB1	WALL LED LED S/M Dark Grey Tapered	3000	580	13	>80	1.0	29X19X15	1/8
GEB2	BOLLARD LED Dark Grey Tapered Sh 500mm	3000	580	13	>80	1.3	81X19X15	1/4
GEB3	BOLLARD LED Dark Grey Tapered Long 800mm	3000	580	13	>80	1.8	81X19X15	1/4